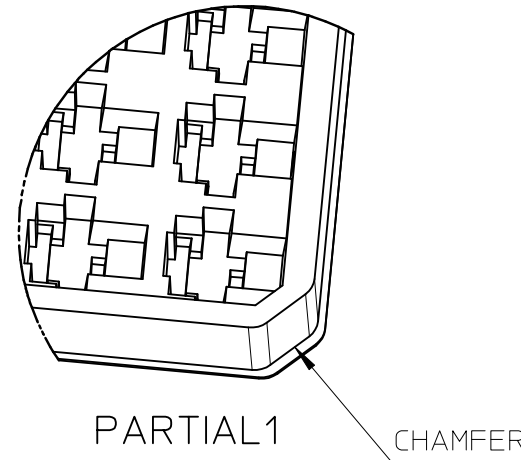
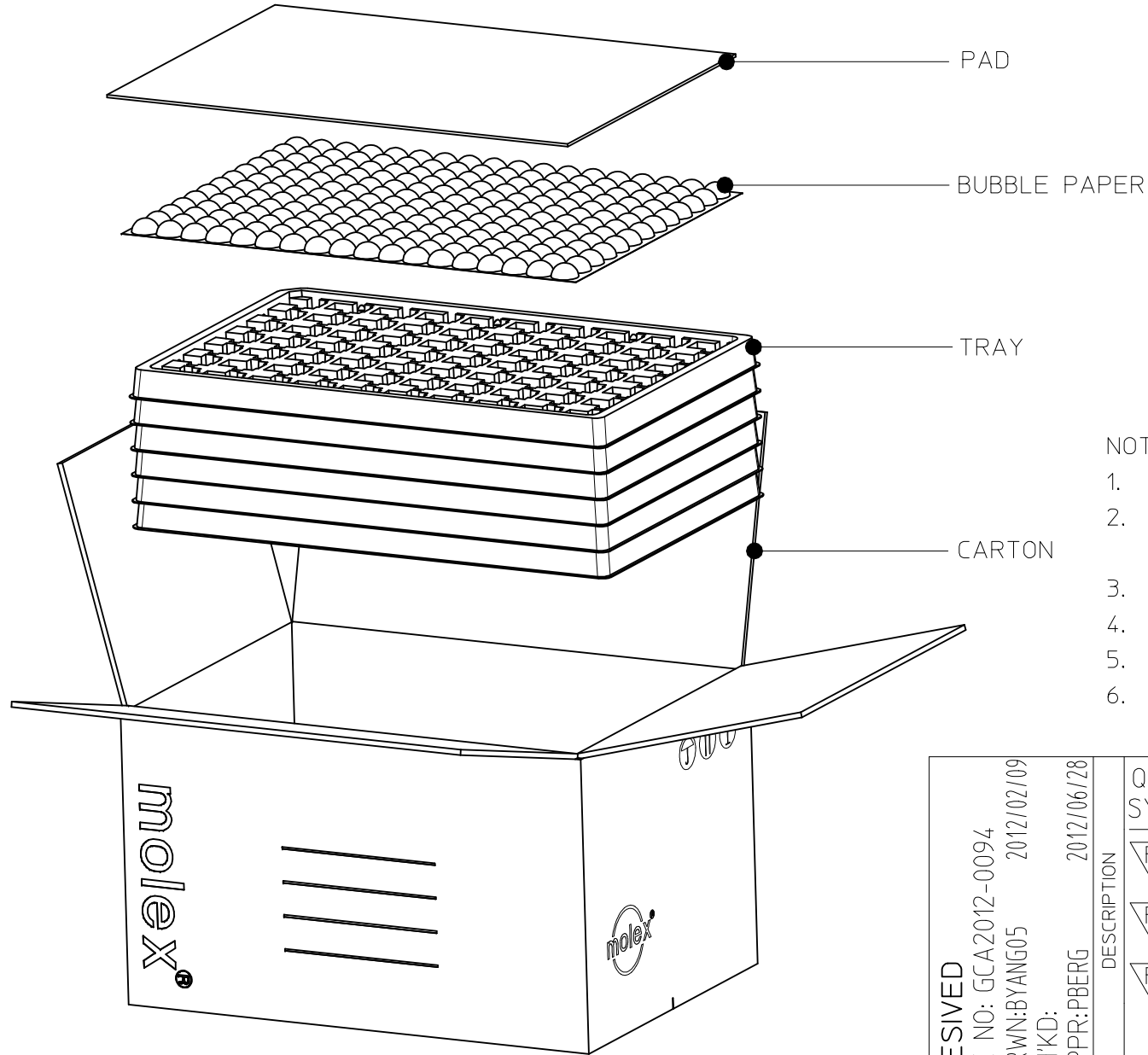
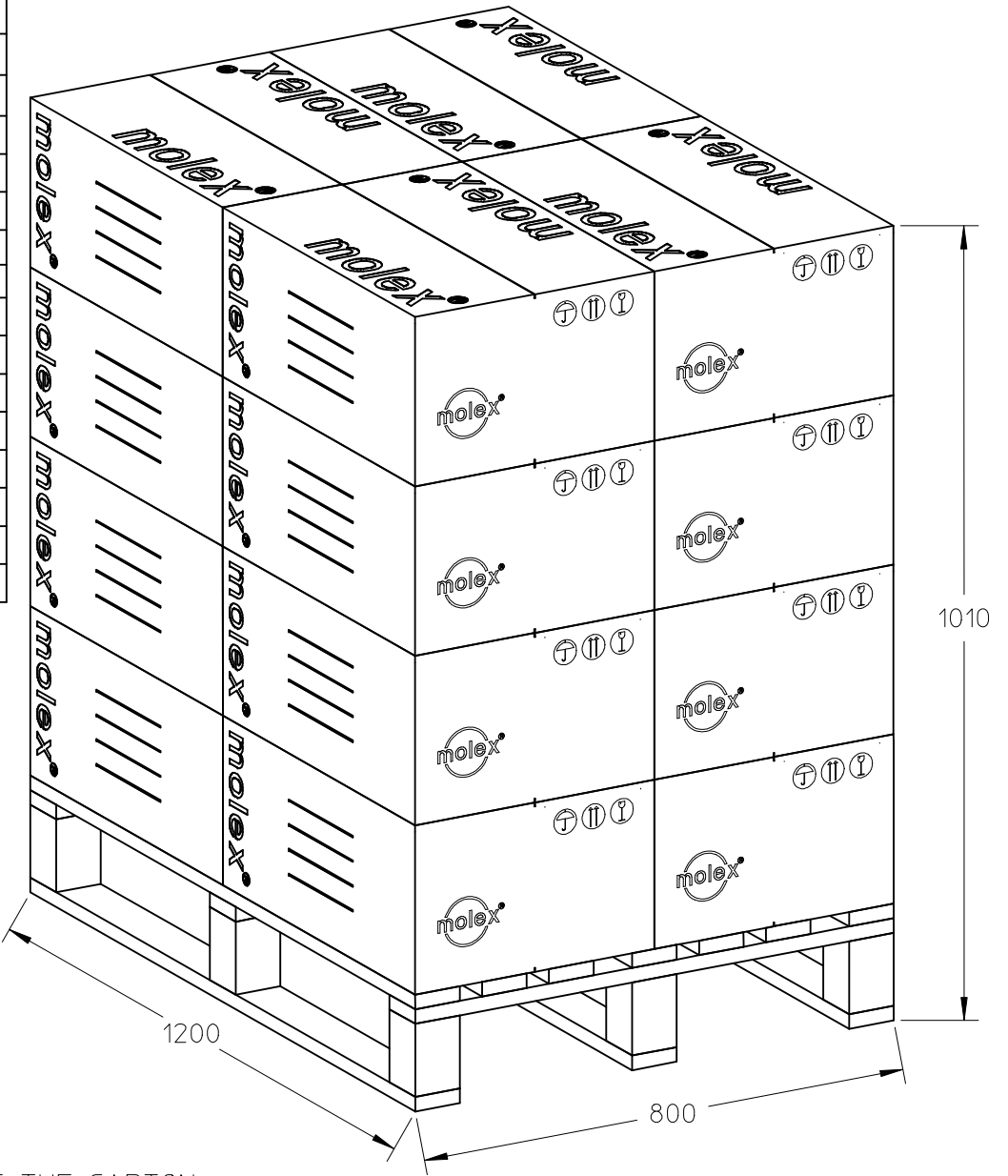


PART #	CARTON #	TRAY #	BUBBLE PAPER #	PAD #	QTY/ TRAY	TRAYS/ CARTON	BUBBLE PAPERS/ CARTON	PADS/ CARTON	QTY/ CARTON	CARTONS/ PALLET	SPQ	MOQ
348292001	477991066	348299200	477995022	982990010	50	6	1	1	300	16	300	4800
348292002	477991066	348299200	477995022	982990010	50	6	1	1	300	16	300	4800
348292003	477991066	348299200	477995022	982990010	50	6	1	1	300	16	300	4800
348292004	477991066	348299200	477995022	982990010	50	6	1	1	300	16	300	4800
348302001	477991066	348299200	477995022	982990010	50	6	1	1	300	16	300	4800
348302002	477991066	348299200	477995022	982990010	50	6	1	1	300	16	300	4800
348302003	477991066	348299200	477995022	982990010	50	6	1	1	300	16	300	4800
348302004	477991066	348299200	477995022	982990010	50	6	1	1	300	16	300	4800
348302005	477991066	348299200	477995022	982990010	50	6	1	1	300	16	300	4800
348290801	477991066	348309080	477995022	982990010	70	6	1	1	420	16	420	6720
348290802	477991066	348309080	477995022	982990010	70	6	1	1	420	16	420	6720
348290803	477991066	348309080	477995022	982990010	70	6	1	1	420	16	420	6720
348290804	477991066	348309080	477995022	982990010	70	6	1	1	420	16	420	6720
348300801	477991066	348309080	477995022	982990010	70	6	1	1	420	16	420	6720
348300802	477991066	348309080	477995022	982990010	70	6	1	1	420	16	420	6720
348300803	477991066	348309080	477995022	982990010	70	6	1	1	420	16	420	6720
348300804	477991066	348309080	477995022	982990010	70	6	1	1	420	16	420	6720



- NOTES:
1. FOLD AND TAPE THE BOTTOM FLAPS OF THE CARTON
 2. PLACE 6 TRAYS WITH FULL PARTS INTO THE CARTON IN TURN, MUST KEEP THE CHAMFER OF THE TRAYS ON THE SAME DIRECTION
 3. PLACE 1 BUBBLE PAER AND 1 PAD ON THE TOP OF LAYER IN TURN
 4. FOLD AND TAPE THE TOP FLAPS OF THE CARTON
 5. PALLETIZE THE CARTONS WHEN QUANTITIES PERMIT IN UP TO 4 LAYERS OF 4 CARTONS AS SHOWN
 6. STANDARD PACK QUANTITY IS SHOWN IN THE TABLE

RESIVED EC NO: GCA2012-0094 DRWN:BYANG05 CHKD: APPR:PBORG 2012/02/09 2012/06/28	QUALITY SYMBOLS $F_A=0$ $F_E=0$ $F_P=0$	GENERAL TOLERANCES (UNLESS SPECIFIED)		DIMENSION STYLE		SCALE	DESIGN UNITS	THIRD ANGLE PROJECTION	
				MM ONLY		1:7	METRIC		
				DRAWN BY DATE		TITLE			
				CHECKED BY DATE		PACKAGING DRAWING FOR MX150 2X4W AND 2X10W HEADER			
		APPROVED BY DATE		MOLEX MOLEX INCORPORATED					
		MATERIAL NO.		DOCUMENT NO.					
		SEE TABLE		PK-34830-001					
		DRAFT WHERE APPLICABLE MUST REMAIN WITHIN DIMENSIONS		SHEET NO. 1 OF 1					
		SIZE A3		THIS DRAWING CONTAINS INFORMATION THAT IS PROPRIETARY TO MOLEX INCORPORATED AND SHOULD NOT BE USED WITHOUT WRITTEN PERMISSION					

单击下面可查看定价，库存，交付和生命周期等信息

[>>MOLEX](#)