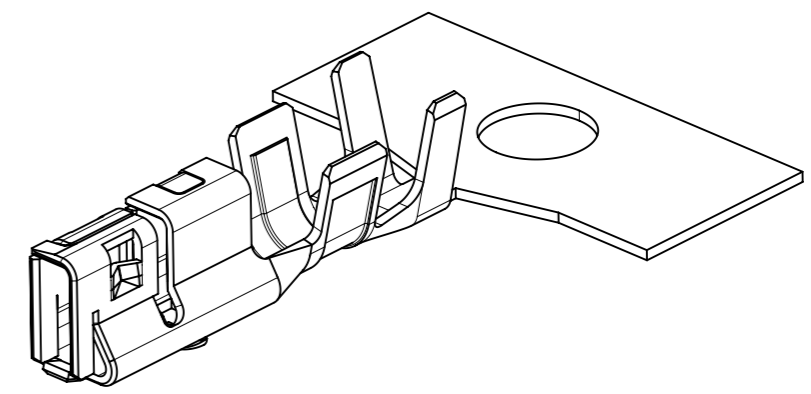
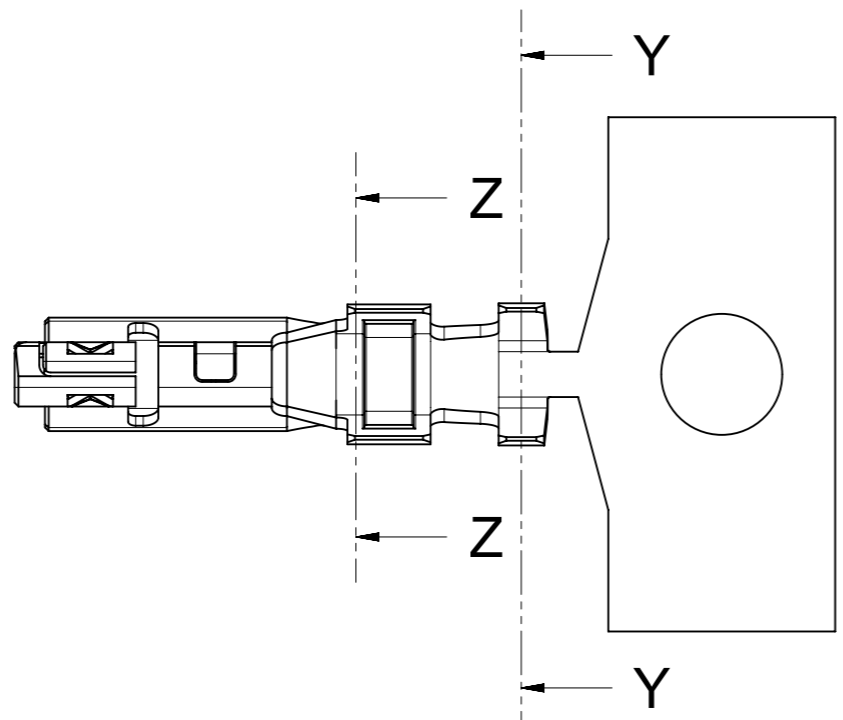
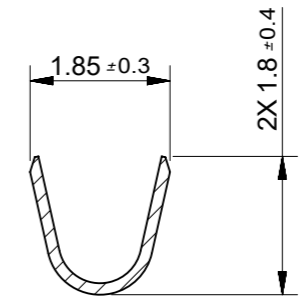
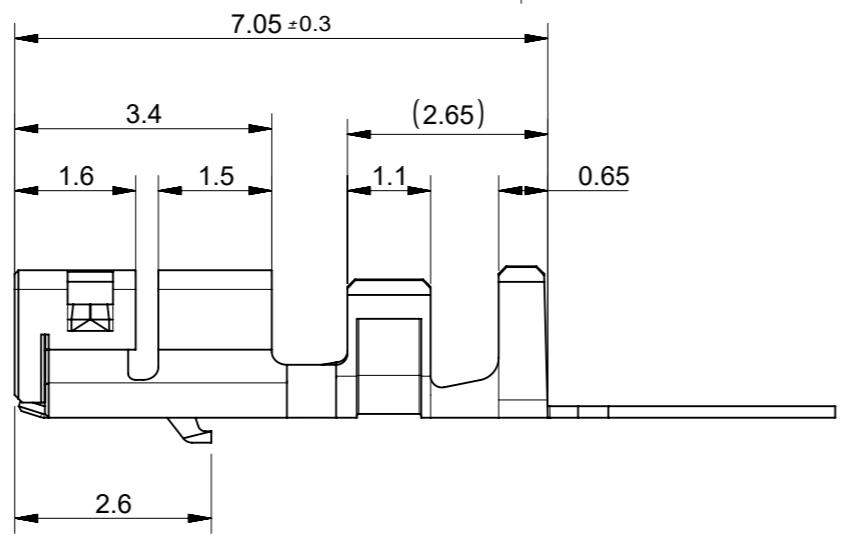
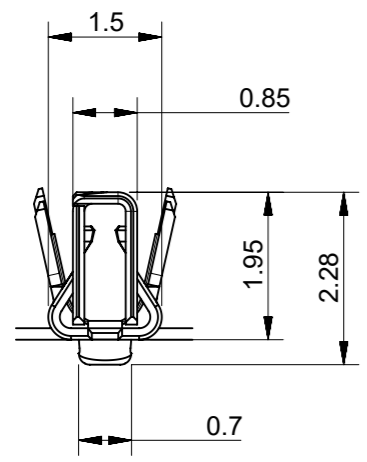


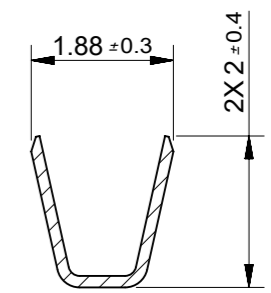
GENERAL TOLERANCE										USED ON
10 MAX	30 MAX	50 MAX	70 MAX	100 MAX	120 MAX	250 MAX	250 OVER	ANGLE	ECCENT	
±0.15	±0.20	±0.30	±0.40	±0.50	±0.75	±0.90	±1.4	±0.5°	0.1	



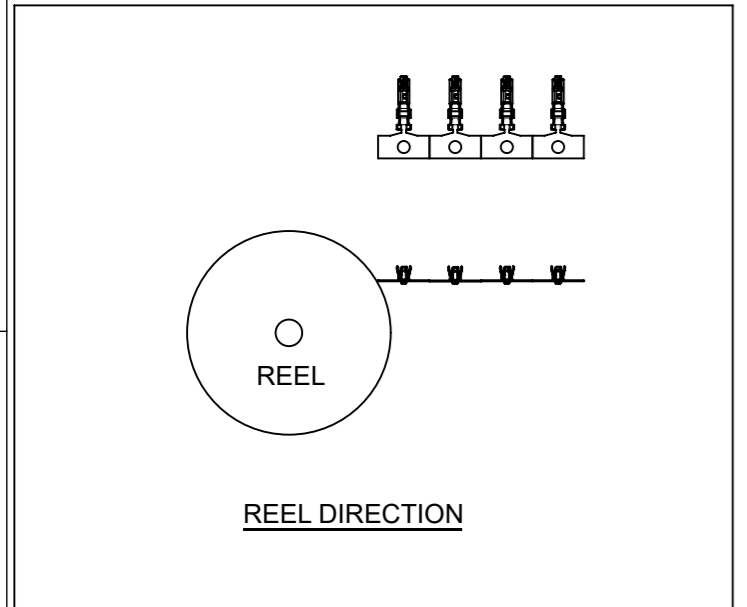
ISO VIEW



SECTION Z-Z



SECTION Y-Y



- NOTES:
1. MATERIALS : CORSON ALLOY, PRE-TIN, 0.15T
 2. APPLICABLE HOUSING : 560123 SERIES
 3. APPLICABLE WIRE : SEE CS-560124-001
 4. GENERAL TOLERANCE : SEE TABLE
 5. EVL AND RoHS COMPLIANT
 6. PRODUCT SPECIFICATION : PS-560123-001,002,003
 7. PACKING SPECIFICATION : PK-560124-001
 8. CRIMP SPECIFICATION : CS-560124-001

ORDER NO.	MATERIAL NO.
560124-0101	5601240101

SYMBOLS	THIS DRAWING CONTAINS INFORMATION THAT IS PROPRIETARY TO MOLEX ELECTRONIC TECHNOLOGIES, LLC AND SHOULD NOT BE USED WITHOUT WRITTEN PERMISSION		CURRENT REV DESC:							
	▽ = 0	mm	SCALE	10:1						
▽ = 0	GENERAL TOLERANCES (UNLESS SPECIFIED)		EC NO: 629104				NEW 2.0 W/B CRIMP REC DURACLIC ISL SERIES			
▽ = 0	ANGULAR TOL ± °		DRWN: SAKIM 2019/12/13							
▽ = 0	4 PLACES ±		CHK'D: YKJUNG 2019/12/13				PRODUCT CUSTOMER DRAWING			
▽ = 0	3 PLACES ±		APPR: YKJUNG 2019/12/13							
▽ = 0	2 PLACES ±		INITIAL REVISION:				DOCUMENT NUMBER SD-560124-001			
▽ = 0	1 PLACE ±		DRWN: YIBAEK 2014/07/03							
▽ = 0	0 PLACES ±		APPR: SRTAK 2014/08/26				DOC TYPE DOC PART REVISION PSD 001 A2			
▽ = 0	DRAFT WHERE APPLICABLE MUST REMAIN WITHIN DIMENSIONS		THIRD ANGLE PROJECTION							
▽ = 0			DRAWING				CUSTOMER GENERAL MARKET			
▽ = 0			SERIES							
▽ = 0			A3-SIZE							

单击下面可查看定价，库存，交付和生命周期等信息

[>>MOLEX](#)