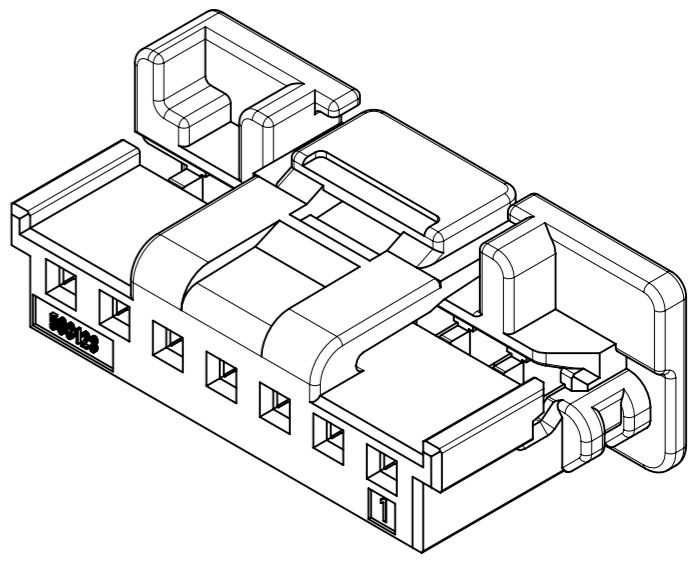
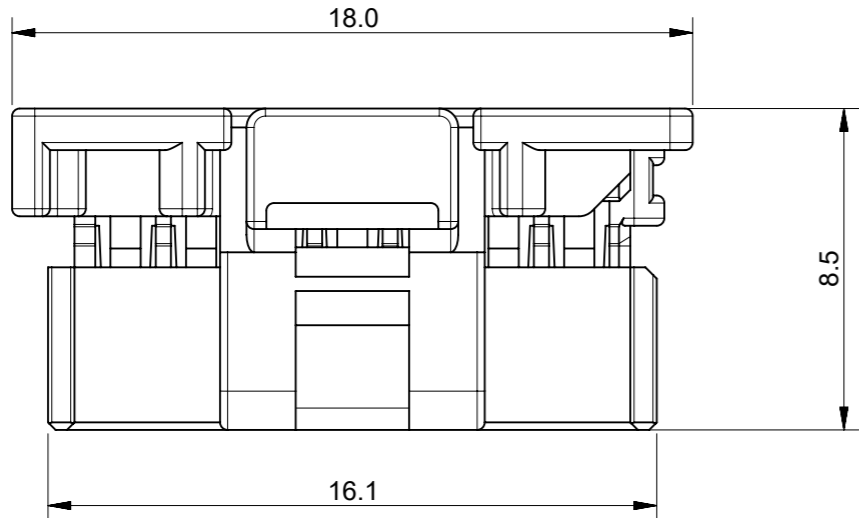
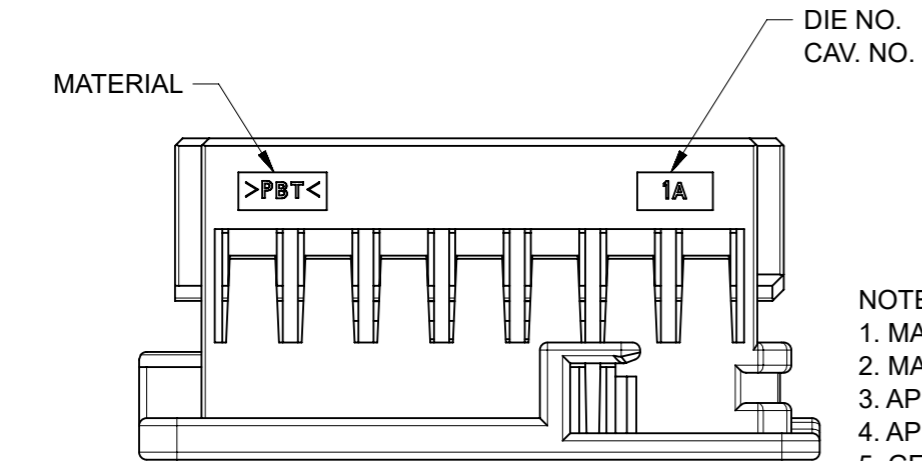
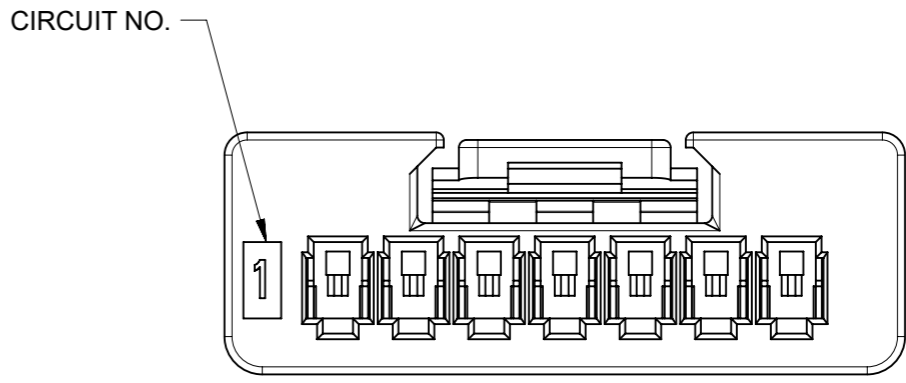
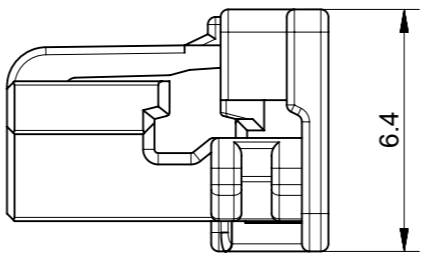
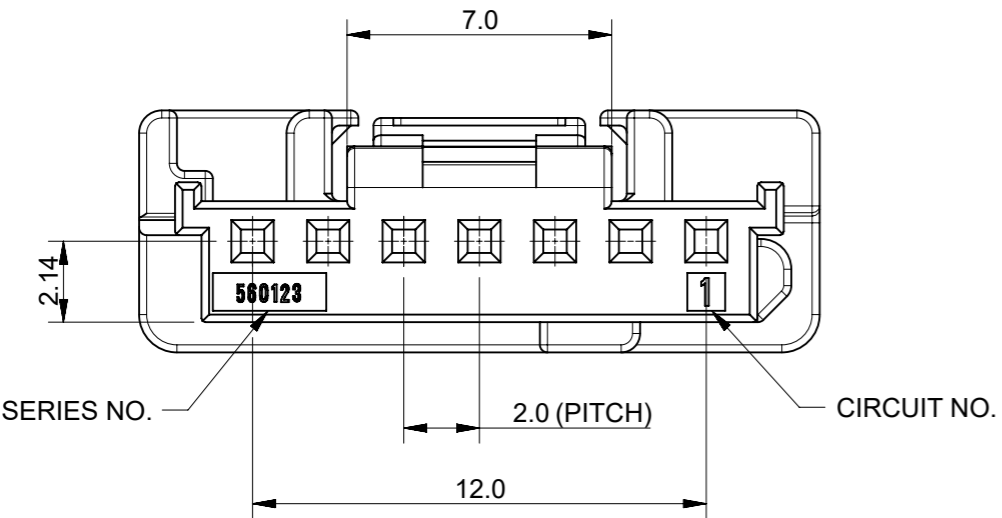


GENERAL TOLERANCE										USED ON
10 MAX	30 MAX	50 MAX	70 MAX	100 MAX	120 MAX	250 MAX	250 OVER	ANGLE	ECCENT	
±0.15	±0.20	±0.30	±0.40	±0.50	±0.75	±0.90	±1.4	±0.5°	0.1	



ISO VIEW



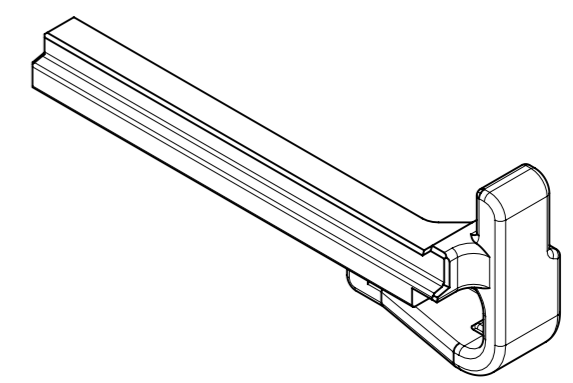
- NOTES:
1. MATERIALS : POLYESTER (PBT), GLASS UNFILLED, UL 94V-0
 2. MATE WITH : 502352, 560020 SERIES
 3. APPLICABLE TERMINAL : 560124 SERIES
 4. APPLICABLE ISL : 560125 SERIES
 5. GENERAL TOLERANCE : SEE TABLE
 6. EVL AND RoHS COMPLIANT
 7. PRODUCT SPECIFICATION : PS-560123-00*
 8. PACKING SPECIFICATION : PK-560123-001

MATERIAL NUMBER

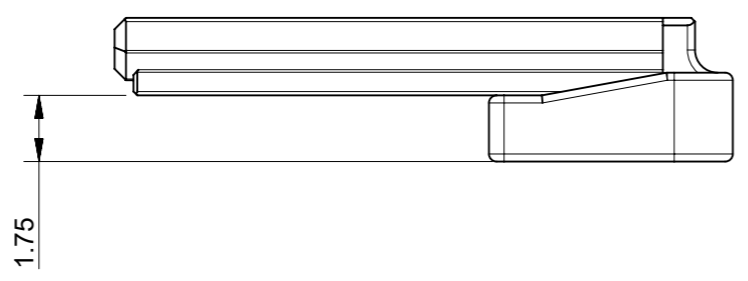
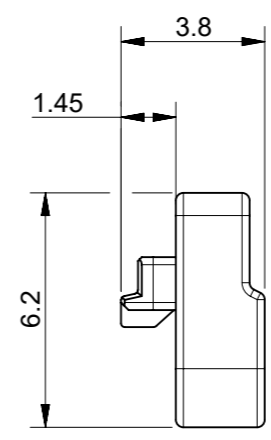
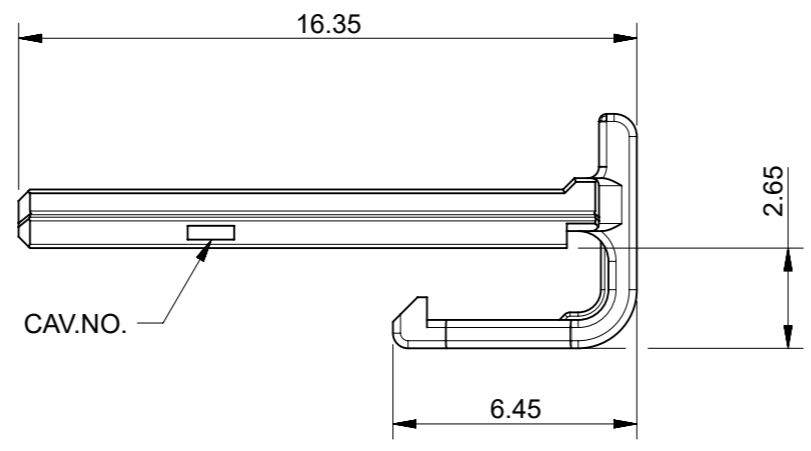
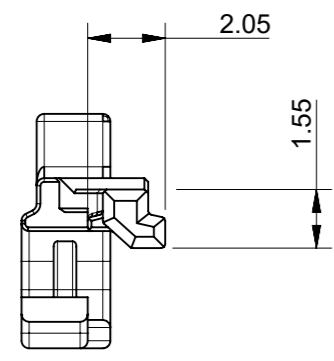
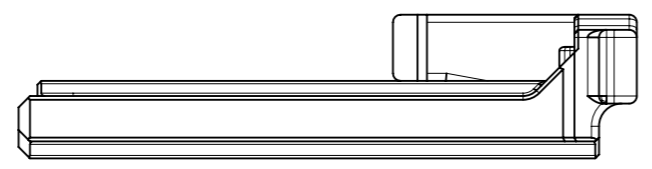
ORDER NO.	MATERIAL NO.	COLOR
560123-0700	5601230700	WHITE
560123-0701	5601230701	BLACK

FUNCTIONAL SYMBOLS	THIS DRAWING CONTAINS INFORMATION THAT IS PROPRIETARY TO MOLEX ELECTRONIC TECHNOLOGIES, LLC AND SHOULD NOT BE USED WITHOUT WRITTEN PERMISSION	CURRENT REV DESC:					
	$\nabla_A = 0$ $\nabla_E = 0$ $\nabla_V = 0$	DIMENSION UNITS: mm SCALE: 5:1	EC NO: 668822 DRWN: SAKIM CHK'D: HIJIMA APPR: HIJIMA				
DIVISIONAL SYMBOLS	GENERAL TOLERANCES (UNLESS SPECIFIED)	4 PLACES ± 3 PLACES ± 2 PLACES ± 1 PLACE ± 0 PLACES ±		2021/07/01 2021/07/05 2021/07/05		NEW 2.0 PITCH W/B CONN. 0.5mm REC. 7WAY HSG DURACLIK ISL SERIES	
	ANGULAR TOL ± °	INITIAL REVISION: DRWN: SAKIM APPR: YKJUNG		2019/04/16 2019/05/17		PRODUCT CUSTOMER DRAWING	
DRAFT WHERE APPLICABLE MUST REMAIN WITHIN DIMENSIONS		THIRD ANGLE PROJECTION	DRAWING	SERIES	MATERIAL NUMBER	CUSTOMER	SHEET NUMBER
			A3-SIZE	560123	SEE TABLE	GENERAL MARKET	1 OF 1

GENERAL TOLERANCE										USED ON
10 MAX	30 MAX	50 MAX	70 MAX	100 MAX	120 MAX	250 MAX	250 OVER	ANGLE	ECCENT	
±0.15	±0.20	±0.30	±0.40	±0.50	±0.75	±0.90	±1.4	±0.5°	0.1	



ISO VIEW



MATERIAL NUMBER

ORDER NO.	MATERIAL NO.	COLOR
560125-0700	5601250700	GRAY

- NOTES:
1. MATERIALS : POLYESTER (PBT)-GF17, UL94 V-0
 2. APPLICABLE HOUSING : 560123 SERIES
 3. GENERAL TOLERANCE : SEE TABLE
 4. EVL AND RoHS COMPLIANT
 5. PRODUCT SPECIFICATION : PS-560123-00*
 6. PACKING SPECIFICATION : PK-560125-001

FUNCTIONAL SYMBOLS	THIS DRAWING CONTAINS INFORMATION THAT IS PROPRIETARY TO MOLEX ELECTRONIC TECHNOLOGIES, LLC AND SHOULD NOT BE USED WITHOUT WRITTEN PERMISSION		CURRENT REV DESC: DRAWING REMASTERED		molex	
	$\nabla_A = 0$ $\nabla_B = 0$ $\nabla_C = 0$	DIMENSION UNITS: mm SCALE: 5:1	GENERAL TOLERANCES (UNLESS SPECIFIED) ANGULAR TOL ± °			NEW 2.0 PITCH W/B CONN. REC. 7WAY ISL DURACLIC ISL SERIES
DIVISIONAL SYMBOLS	4 PLACES ±	EC NO: 641821	2020/07/17	PRODUCT CUSTOMER DRAWING		
	3 PLACES ±	DRWN: SAKIM	2020/07/27			
	2 PLACES ±	CHK'D: TOSADA	2020/07/27	DOCUMENT NUMBER: 5601250700		
	1 PLACE ±	APPR: TOSADA				DOC TYPE: PSD
	0 PLACES ±	INITIAL REVISION:		MATERIAL NUMBER: 5601250700		
		DRWN: SAKIM	2019/04/22			CUSTOMER: GENERAL MARKET
		APPR: YKJUNG	2019/05/17	SERIES: 560125		
						THIRD ANGLE PROJECTION
				DRAWING: A3-SIZE		
						MATERIAL NUMBER: 5601250700
				CUSTOMER: GENERAL MARKET		
						SHEET NUMBER: 1 OF 1
				DRAWING: A3-SIZE		
						SERIES: 560125
				MATERIAL NUMBER: 5601250700		
						CUSTOMER: GENERAL MARKET
				SHEET NUMBER: 1 OF 1		

单击下面可查看定价，库存，交付和生命周期等信息

[>>MOLEX](#)