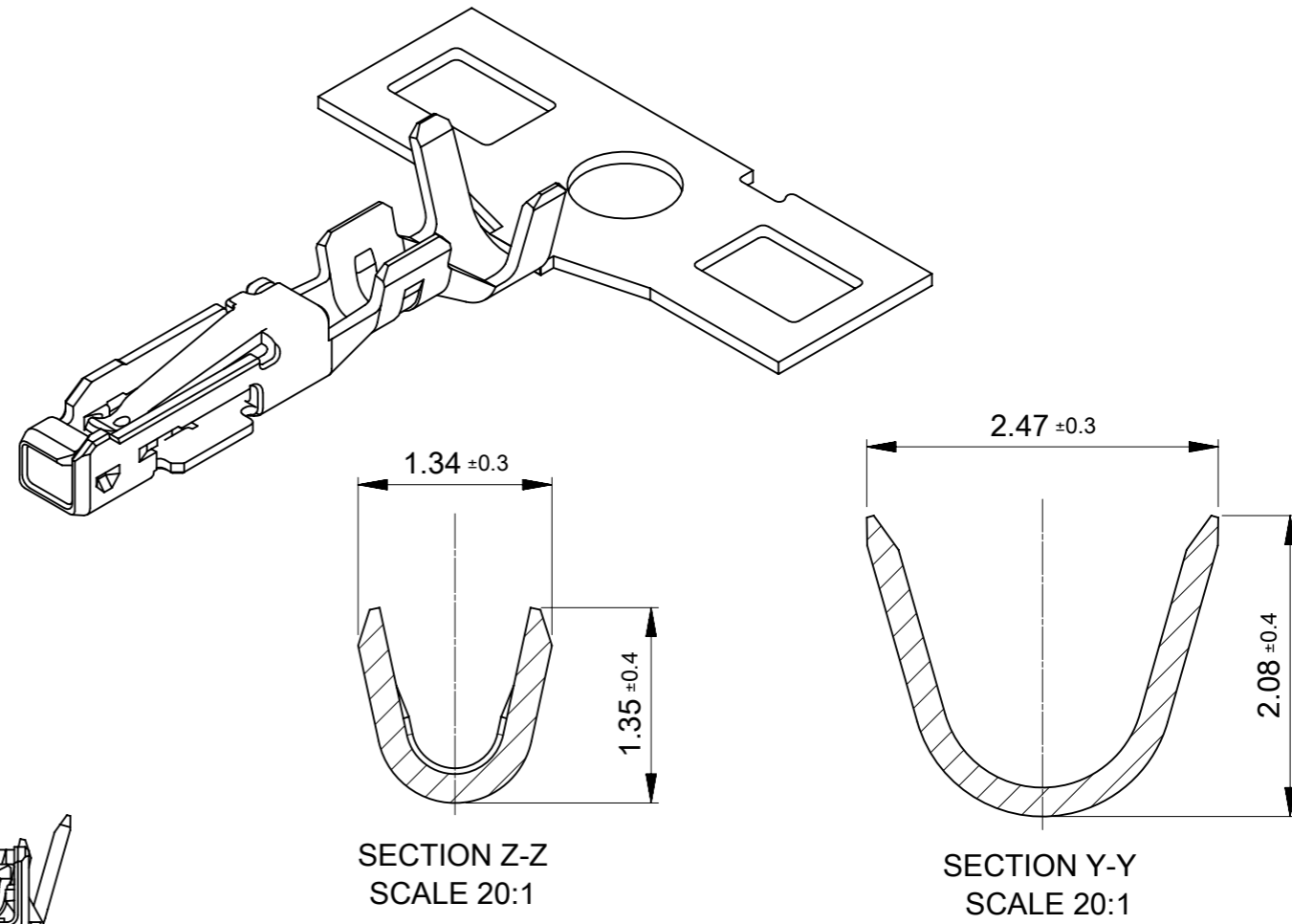
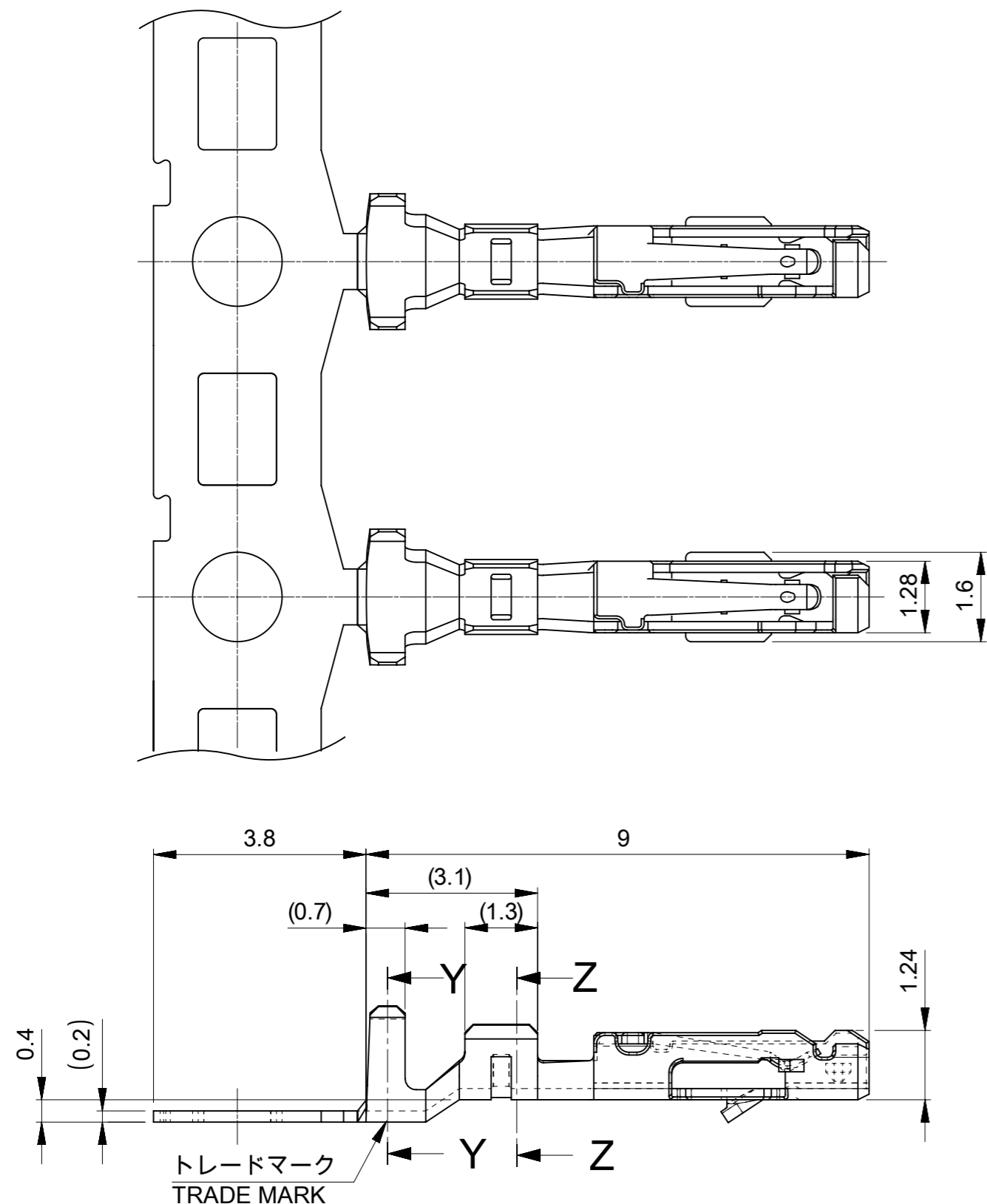


注記
NOTES

1. 材料及び仕上げ(めっき仕様): TABLE1参照
MATERIAL AND FINISHES: SEE TABLE 1
2. 適合製品及び各種仕様書についてはSHEET2をご参照ください。
PLEASE REFER TO SHEET 2 FOR APPLICABLE PRODUCT AND VARIOUS SPECIFICATIONS.
3. 本製品はケーブルサイズAWG#26-28に適合です。
AWG#22-26に適合する製品は5016470000-SD/PSD/000をご参照ください。
THIS PRODUCT IS APPLICABLE TO AWG#26-28.
FOR PRODUCTS APPLICABLE TO AWG#22-26, PLEASE REFER TO 5016470000-SD/PSD/000.
4. 本製品は錫めっき品です。金めっき製品は5030950000-SD/PSD/000をご参照ください。
THIS PRODUCT IS A TIN PLATING.
PLEASE REFER TO 5030950000-SD/PSD/000 FOR GOLD PLATING PRODUCT.



トレードマーク
TRADE MARK

1 TABLE 1

∅0.85-∅1.4mm	AWG#26-28 0.079 ~0.136mm ²	ポリ袋 POLY BAG	5016481100	バラ状 LOOSE
		リール REEL	5016481000	連鎖状 CHAIN
絶縁被覆外形範囲 INS, RANGE	適用電線範囲 WIRE RANGE	梱包形態 PACKAGING	オーダー番号 ORDER No.	端子形状 FORM

部品 PART		
ターミナル TERMINAL	材質 MATERIAL	銅合金 COPPER ALLOY
	めっき PLATING	錫めっき : 0.7 micro-meters MIN リフロー処理(前めっき) MATTE TIN REFLOW TREATMENT (PRE-PLATING)

THIS DRAWING CONTAINS INFORMATION THAT IS PROPRIETARY TO MOLEX ELECTRONIC TECHNOLOGIES, LLC AND SHOULD NOT BE USED WITHOUT WRITTEN PERMISSION		CURRENT REV DESC:		molex	
DIMENSION UNITS	SCALE				
mm	NTS			IGRID 2.0 WIRE TO BOARD CRIMP TERMINAL TIN PLATING AWG#26-28	
GENERAL TOLERANCES (UNLESS SPECIFIED)		EC NO: 672166		PRODUCT CUSTOMER DRAWING	
ANGULAR TOL	± 1.0°	DRWN: SNAKAMURA08 2020/09/02		DOCUMENT NUMBER	
4 PLACES	± 0.2	CHK'D: KOMURAKAMI 2021/08/05		5016480000-SD	
3 PLACES	± 0.2	APPR: AIDA 2021/08/05		DOC TYPE	DOC PART
2 PLACES	± 0.2	INITIAL REVISION:		000	A
1 PLACE	± 0.2	DRWN: SNAKAMURA08 2020/09/02		REVISION	
0 PLACES	± 0.2	APPR: AIDA 2021/08/05			
DRAFT WHERE APPLICABLE MUST REMAIN WITHIN DIMENSIONS		THIRD ANGLE PROJECTION	DRAWING	SERIES	MATERIAL NUMBER
			A3-SIZE	501648	501648
				CUSTOMER	SHEET NUMBER
				GENERAL	1 OF 2

△₂ 適合製品及び各種仕様書

APPLICABLE PRODUCTS AND VARIOUS SPECIFICATIONS

VARIOUS SPECIFICATIONS	仕様書番号 SPECIFICATION NUMBER	
製品仕様書 PRODUCT SPECIFICATION	PS-501646-001	
取扱説明書 APPLICABLE SPECIFICATION	5016460000/PS/-A00(JAPANESE)/-A01(ENGLISH)	
梱包仕様書 PACKING SPECIFICATION	5016489200-SPK/PS/200	
適合ハウジング APPLICABLE HOUSING	リセプタクルハウジング RECEPTACLE HOUSING	
シリーズ番号 SERIES No.	501646 SERIES	
適合嵌合相手 MATE WITH	プラグアッセンブリ PLUG ASSEMBLY	
	バーティカルタイプ VERTICAL TYPE	ライトアングルタイプ RIGHT ANGLE TYPE
シリーズ番号 SERIES No.	501645 SERIES	501876 SERIES

製品嵌合図は各"適合嵌合相手"図面参照のこと
MATING VIEW: REFER TO EACH "MATE WITH" PART DRAWING

THIS DRAWING CONTAINS INFORMATION THAT IS PROPRIETARY TO MOLEX ELECTRONIC TECHNOLOGIES, LLC AND SHOULD NOT BE USED WITHOUT WRITTEN PERMISSION									
DIMENSION UNITS	SCALE	CURRENT REV DESC:					molex		
mm	NTS								
GENERAL TOLERANCES (UNLESS SPECIFIED)		EC NO: 672166					IGRID 2.0 WIRE TO BOARD CRIMP TERMINAL TIN PLATING AWG#26-28		
ANGULAR TOL	± 1.0 °	DRWN: SNAKAMURA08 2020/09/02							
4 PLACES	± 0.2	CHK'D: KOMURAKAMI 2021/08/05					PRODUCT CUSTOMER DRAWING		
3 PLACES	± 0.2	APPR: AIDA 2021/08/05							
2 PLACES	± 0.2	INITIAL REVISION:					DOCUMENT NUMBER		
1 PLACE	± 0.2	DRWN: SNAKAMURA08 2020/09/02							
0 PLACES	± 0.2	APPR: AIDA 2021/08/05					PSD 000 A		
DRAFT WHERE APPLICABLE MUST REMAIN WITHIN DIMENSIONS	THIRD ANGLE PROJECTION	DRAWING	SERIES	MATERIAL NUMBER	CUSTOMER	SHEET NUMBER			
		A3-SIZE	501648	SEE SHEET 1	GENERAL	2 OF 2			

单击下面可查看定价，库存，交付和生命周期等信息

[>>MOLEX](#)