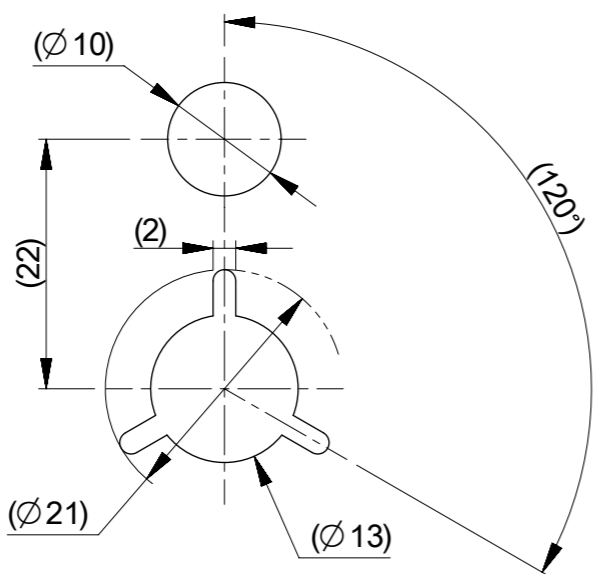
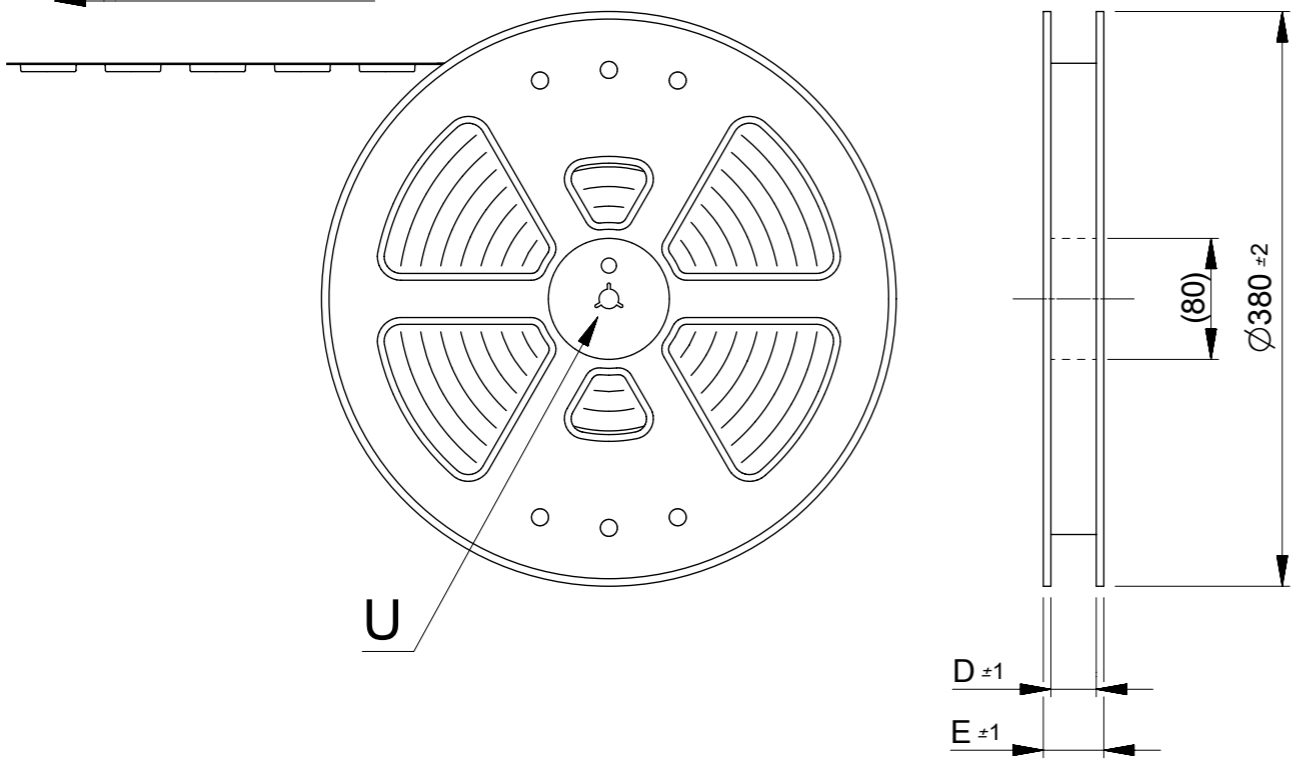


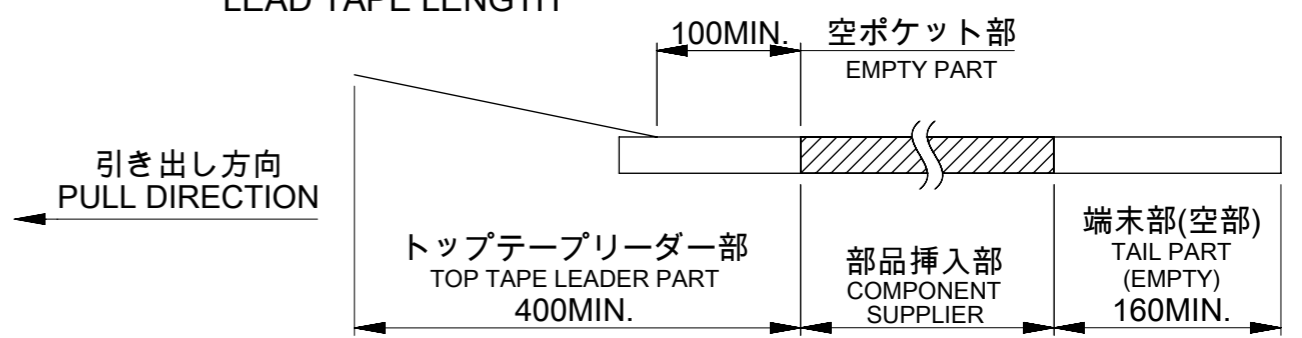
引き出し方向  
PULL DIRECTION



DETAIL U

NOTES

- 梱包数量 : 3000個 / リール  
NUMBER OF CONNECTORS : 3000 PCS/REEL.
- リードテープ長さ  
LEAD TAPE LENGTH



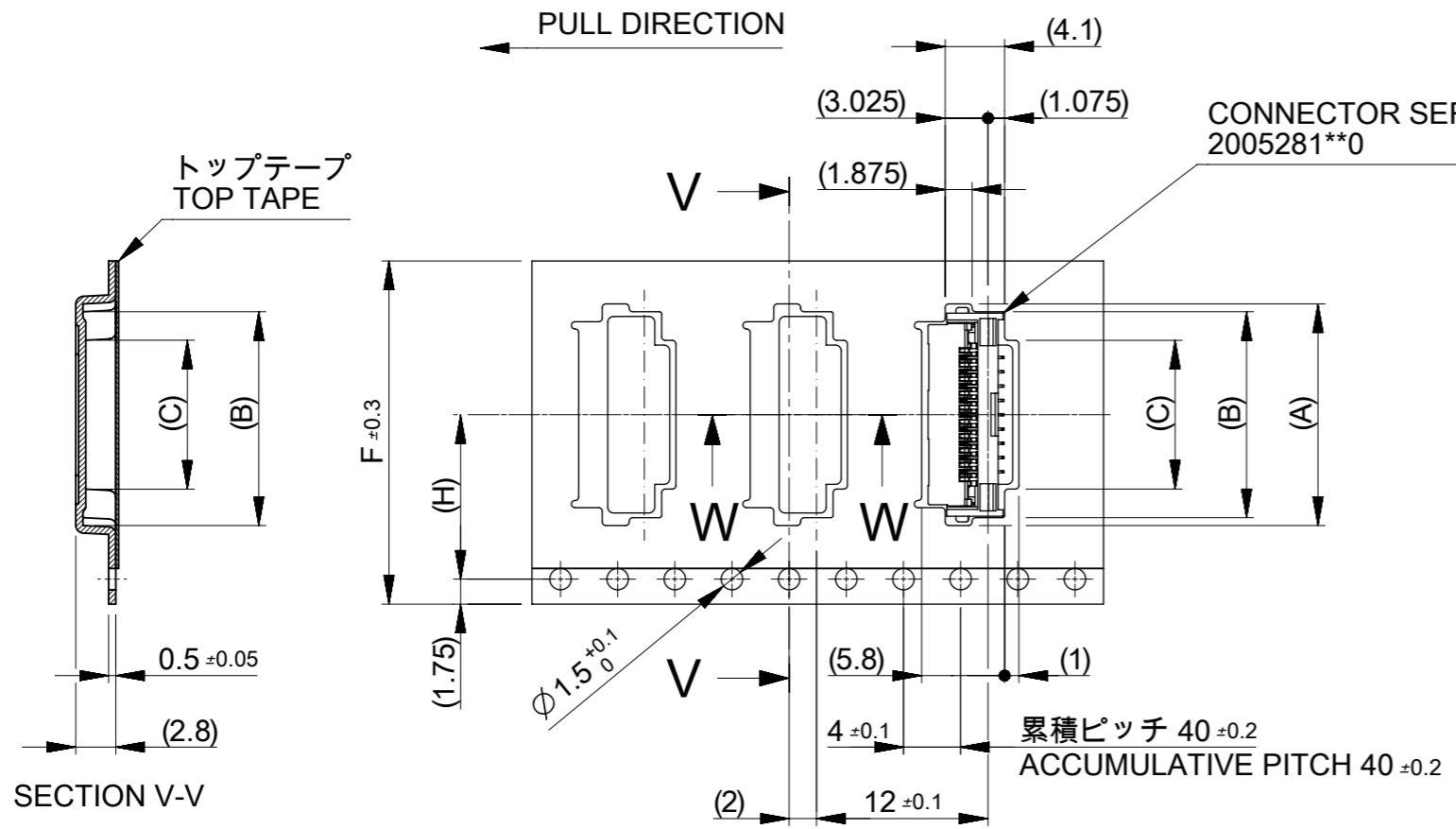
- カバーテープの剥離強度については、IEC60286-3に準拠。  
COVER TAPE PEEL FORCE IS DEFINED BY IEC 60286-3.
- 製品詳細寸法については、図面 2005281000-SD を参照下さい。  
DIMENSIONS OF PRODUCT, REFER TO 2005281000-SD.
- 材料 MATERIAL  
 キャリアテープ : ポリスチレン  
 トップテープ : ポリエチレンテレフタレート、ポリエチレン  
 リール : ポリスチレン <リサイクル材を含む>  
 CARRIER TAPE : POLYSTYRENE  
 TOP TAPE : POLYETHYLENE TEREPHTHALATE, POLYETHYLENE  
 REEL : POLYSTYRENE < RECYCLE MATERIAL CONTAINED >

THIS DRAWING CONTAINS INFORMATION THAT IS PROPRIETARY TO MOLEX ELECTRONIC TECHNOLOGIES, LLC AND SHOULD NOT BE USED WITHOUT WRITTEN PERMISSION									
DIMENSION UNITS mm		SCALE 2:1		CURRENT REV DESC:				<b>molex</b>	
GENERAL TOLERANCES (UNLESS SPECIFIED)				EC NO: 605694					
ANGULAR TOL ± 3.0 °				DRWN: JASANUMA 2018/10/10				1.0 FPC ZIF 2 CONT EMBT PKG	
4 PLACES ± 0.2				CHK'D: TRSUZUKI 2018/10/11					
3 PLACES ± 0.2				APPR: RTAKEUCHI 2018/10/11				PRODUCT CUSTOMER DRAWING	
2 PLACES ± 0.2				INITIAL REVISION:					
1 PLACE ± 0.25				DRWN: JASANUMA 2018/10/04				DOCUMENT NUMBER	
0 PLACES ± 0.3				APPR: RTAKEUCHI 2018/10/10				2005280000-SD	
DRAFT WHERE APPLICABLE MUST REMAIN WITHIN DIMENSIONS		THIRD ANGLE PROJECTION		DRAWING		SERIES		MATERIAL NUMBER	
				A3-SIZE		200528		SEE CHART	
CUSTOMER		CUSTOMER		CUSTOMER		CUSTOMER		SHEET NUMBER	
								1 OF 3	

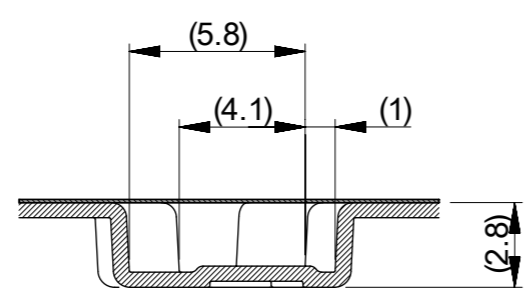
引き出し方向  
PULL DIRECTION

CONNECTOR SERIES No.  
2005281\*\*0

トップテープ  
TOP TAPE



累積ピッチ 40 ±0.2  
ACCUMULATIVE PITCH 40 ±0.2



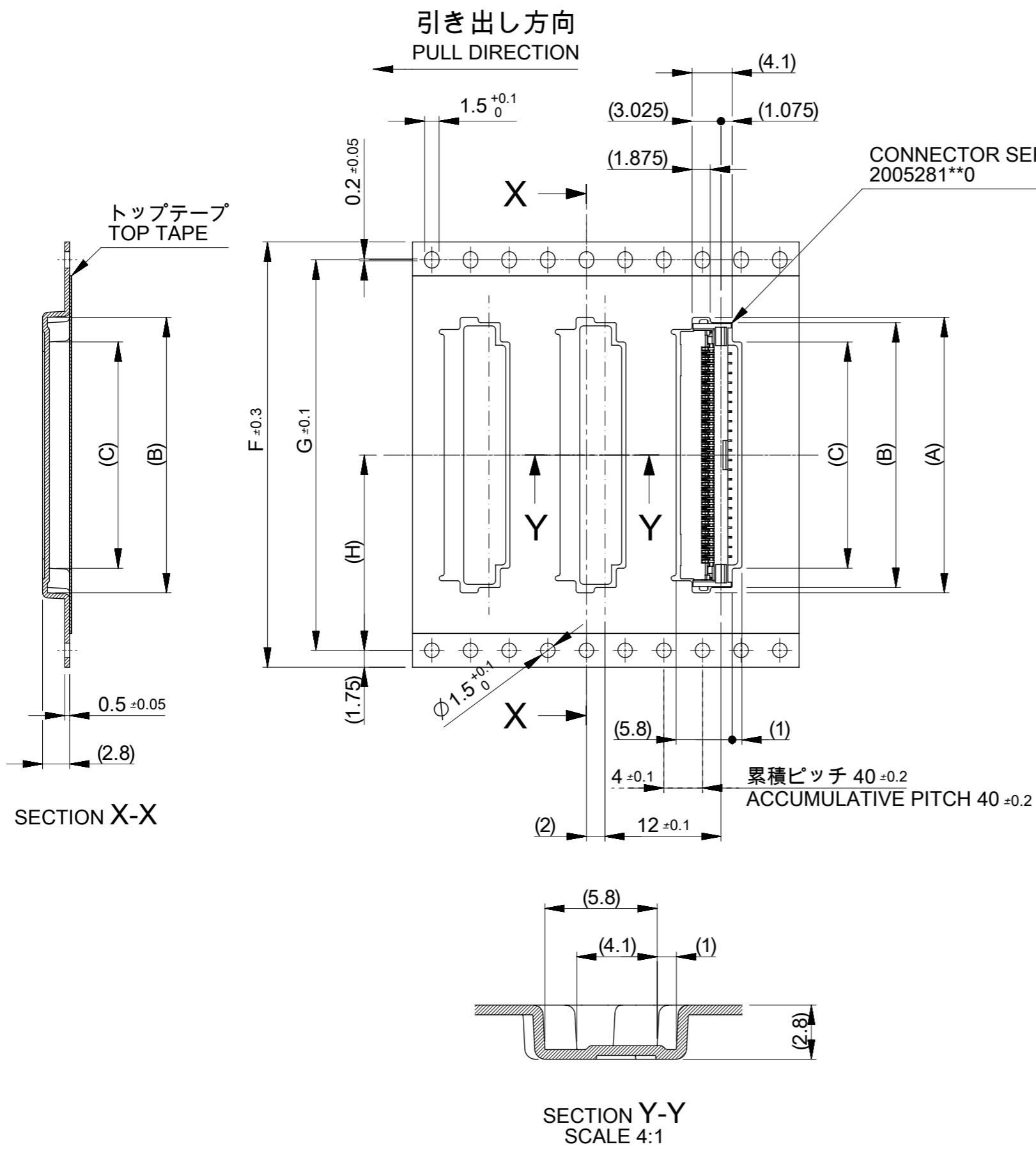
SECTION W-W  
SCALE 4:1

SECTION V-V

11.5	----	24	29.4	25.4	10.4	14.4	15.5	2005280090	9
					9.4	13.4	14.5	2005280080	8
					8.4	12.4	13.5	2005280070	7
					7.4	11.4	12.5	2005280060	6
					6.4	10.4	11.5	2005280050	5
					5.4	9.4	10.5	2005280040	4
H	G	F	E	D	C	B	A	EMBOSSED PACKAGE	Ckt
オーダー番号 ORDER No.									

THIS DRAWING CONTAINS INFORMATION THAT IS PROPRIETARY TO MOLEX ELECTRONIC TECHNOLOGIES, LLC AND SHOULD NOT BE USED WITHOUT WRITTEN PERMISSION

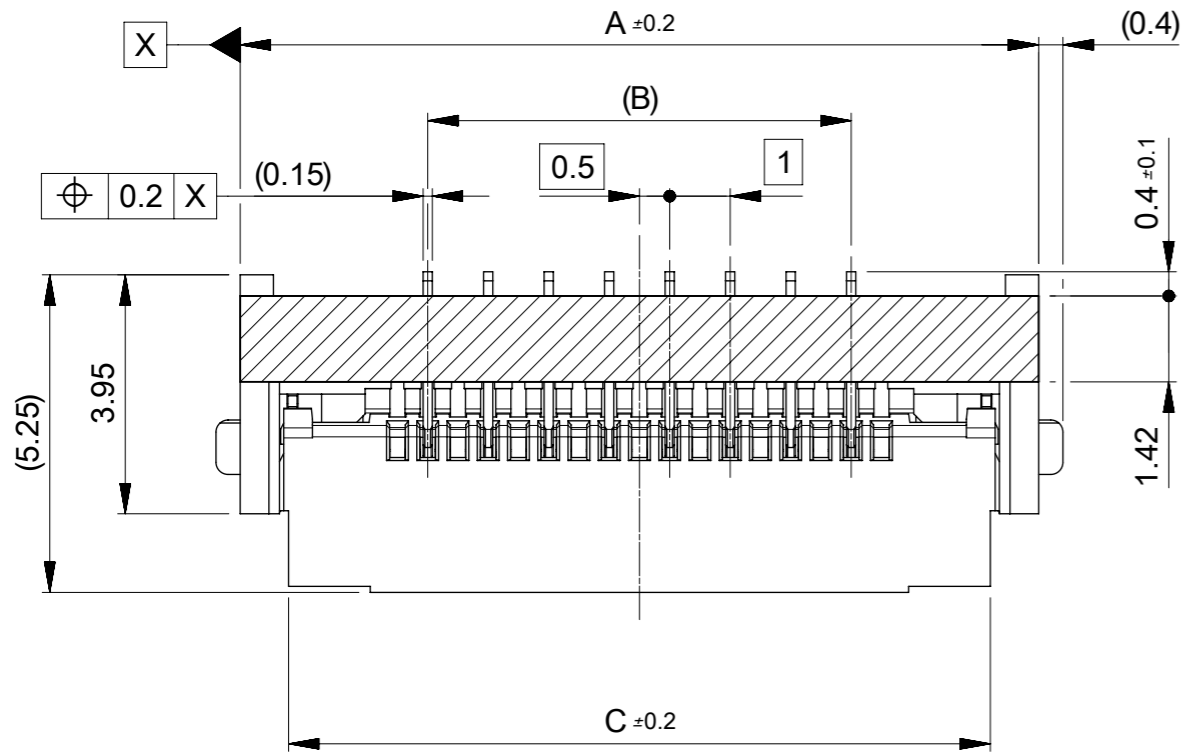
DIMENSION UNITS <b>mm</b>	SCALE <b>2:1</b>	CURRENT REV DESC:			<b>molex</b>			
GENERAL TOLERANCES (UNLESS SPECIFIED)		EC NO: 605694						
ANGULAR TOL	± 3.0 °	DRWN: JASANUMA 2018/10/10			PRODUCT CUSTOMER DRAWING			
4 PLACES	± 0.2	CHK'D: TRSUZUKI 2018/10/11			DOCUMENT NUMBER			
3 PLACES	± 0.2	APPR: RTAKEUCHI 2018/10/11			2005280000-SD			
2 PLACES	± 0.2	INITIAL REVISION:			DOC TYPE			
1 PLACE	± 0.25	DRWN: JASANUMA 2018/10/04			PSD			
0 PLACES	± 0.3	APPR: RTAKEUCHI 2018/10/10			DOC PART			
DRAFT WHERE APPLICABLE MUST REMAIN WITHIN DIMENSIONS		THIRD ANGLE PROJECTION		DRAWING	SERIES	MATERIAL NUMBER	CUSTOMER	SHEET NUMBER
		A3-SIZE		200528	SEE CHART			2 OF 3



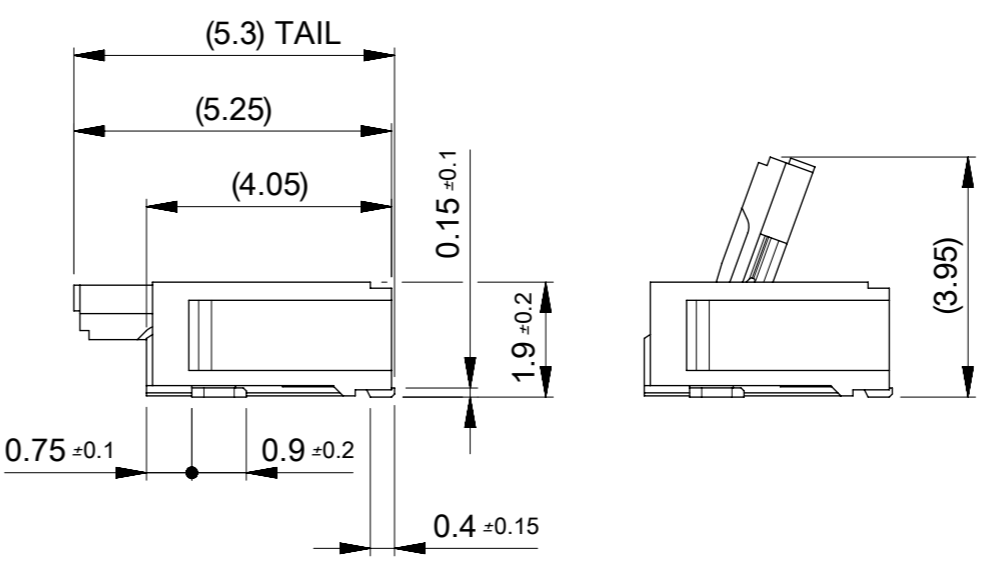
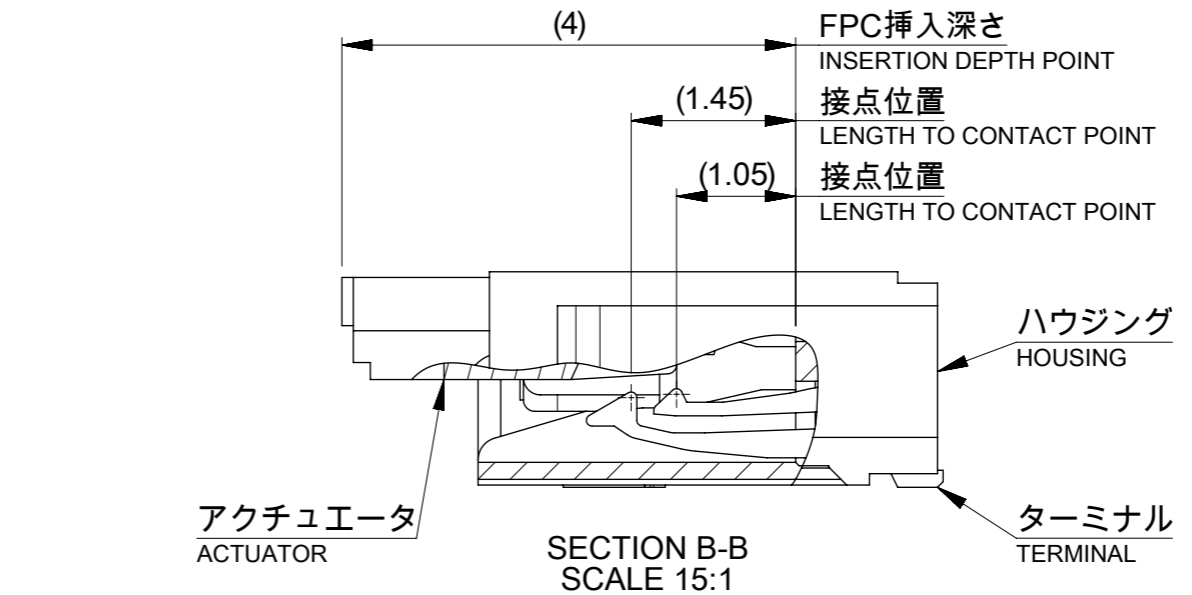
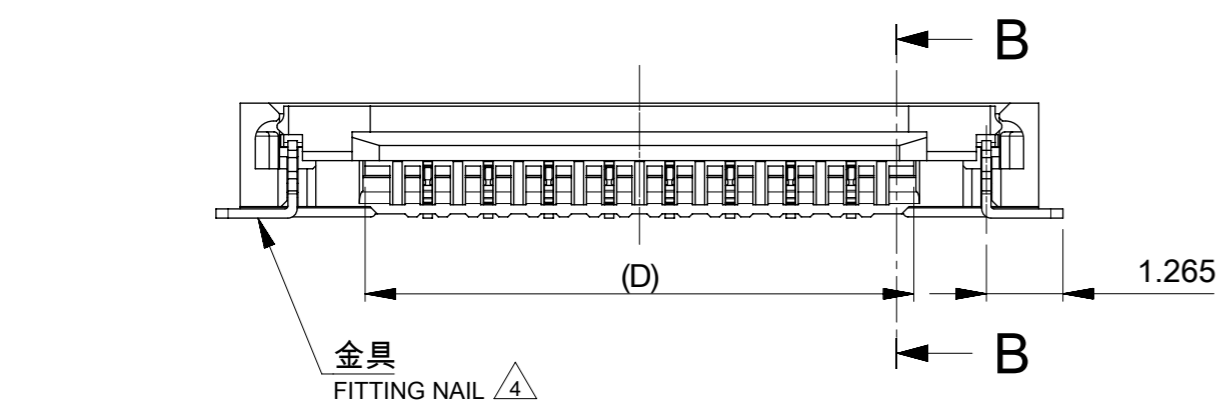
26.2	52.4	56	61.4	57.4	31.4	35.4	36.5	2005280300	30
					30.4	34.4	35.5	2005280290	29
					29.4	33.4	34.5	2005280280	28
					28.4	32.4	33.5	2005280270	27
					27.4	31.4	32.5	2005280260	26
20.2	40.4	44	49.4	45.4	26.4	30.4	31.5	2005280250	25
					25.4	29.4	30.5	2005280240	24
					24.4	28.4	29.5	2005280230	23
					23.4	27.4	28.5	2005280220	22
					22.4	26.4	27.5	2005280210	21
					21.4	25.4	26.5	2005280200	20
					20.4	24.4	25.5	2005280190	19
					19.4	23.4	24.5	2005280180	18
					18.4	22.4	23.5	2005280170	17
					17.4	21.4	22.5	2005280160	16
14.2	28.4	32	37.4	33.4	16.4	20.4	21.5	2005280150	15
					15.4	19.4	20.5	2005280140	14
					14.4	18.4	19.5	2005280130	13
					13.4	17.4	18.5	2005280120	12
					12.4	16.4	17.5	2005280110	11
					11.4	15.4	16.5	2005280100	10
								EMBOSSED PACKAGE	Ckt
			オーダー番号 ORDER No.						

THIS DRAWING CONTAINS INFORMATION THAT IS PROPRIETARY TO MOLEX ELECTRONIC TECHNOLOGIES, LLC AND SHOULD NOT BE USED WITHOUT WRITTEN PERMISSION

DIMENSION UNITS	SCALE	CURRENT REV DESC:		<b>molex</b>		
mm	2:1					
GENERAL TOLERANCES (UNLESS SPECIFIED)		EC NO: 605694		1.0 FPC ZIF 2 CONT EMBT PKG		
ANGULAR TOL	± 3.0 °	DRWN: JASANUMA	2018/10/10	PRODUCT CUSTOMER DRAWING		
4 PLACES	± 0.2	CHK'D: TRSUZUKI	2018/10/11	DOCUMENT NUMBER		
3 PLACES	± 0.2	APPR: RTAKEUCHI	2018/10/11	2005280000-SD		
2 PLACES	± 0.2	INITIAL REVISION:		DOC TYPE	DOC PART	REVISION
1 PLACE	± 0.25	DRWN: JASANUMA	2018/10/04	PSD	000	B
0 PLACES	± 0.3	APPR: RTAKEUCHI	2018/10/10	SHEET NUMBER		
DRAFT WHERE APPLICABLE MUST REMAIN WITHIN DIMENSIONS		THIRD ANGLE PROJECTION	DRAWING	SERIES	MATERIAL NUMBER	CUSTOMER
			A3-SIZE	200528	SEE CHART	3 OF 3



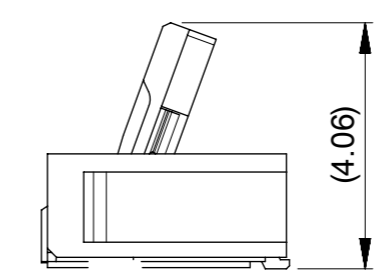
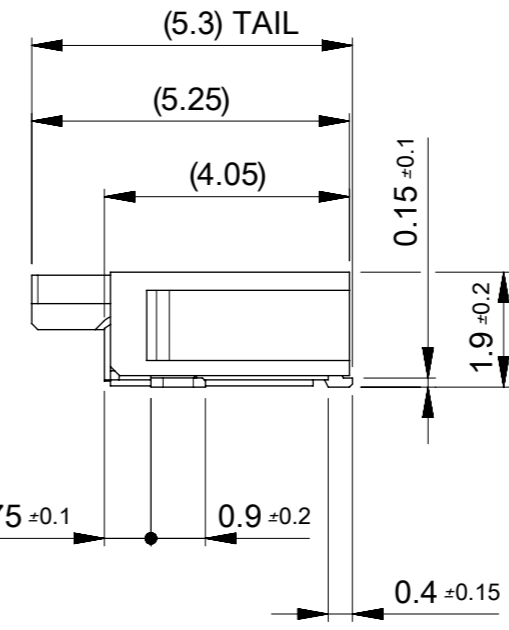
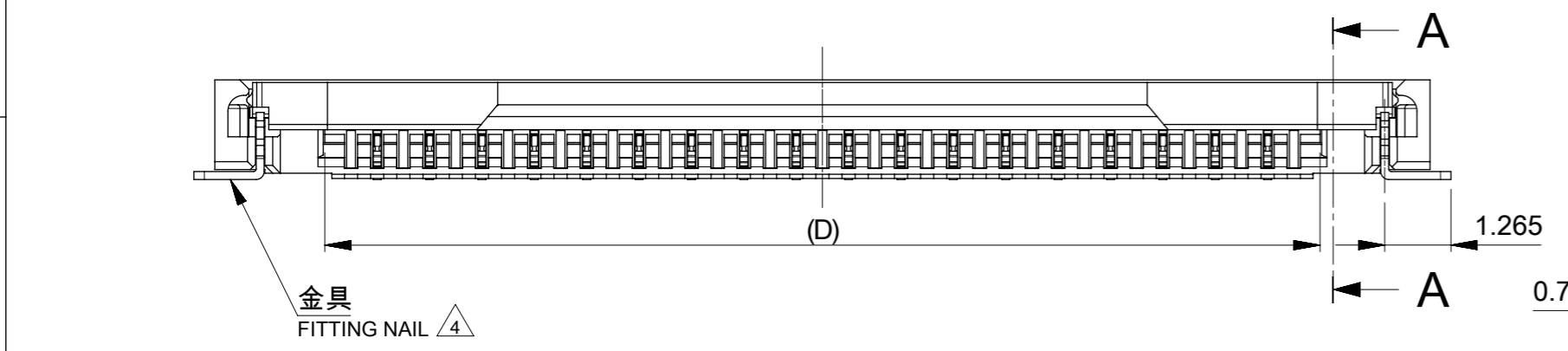
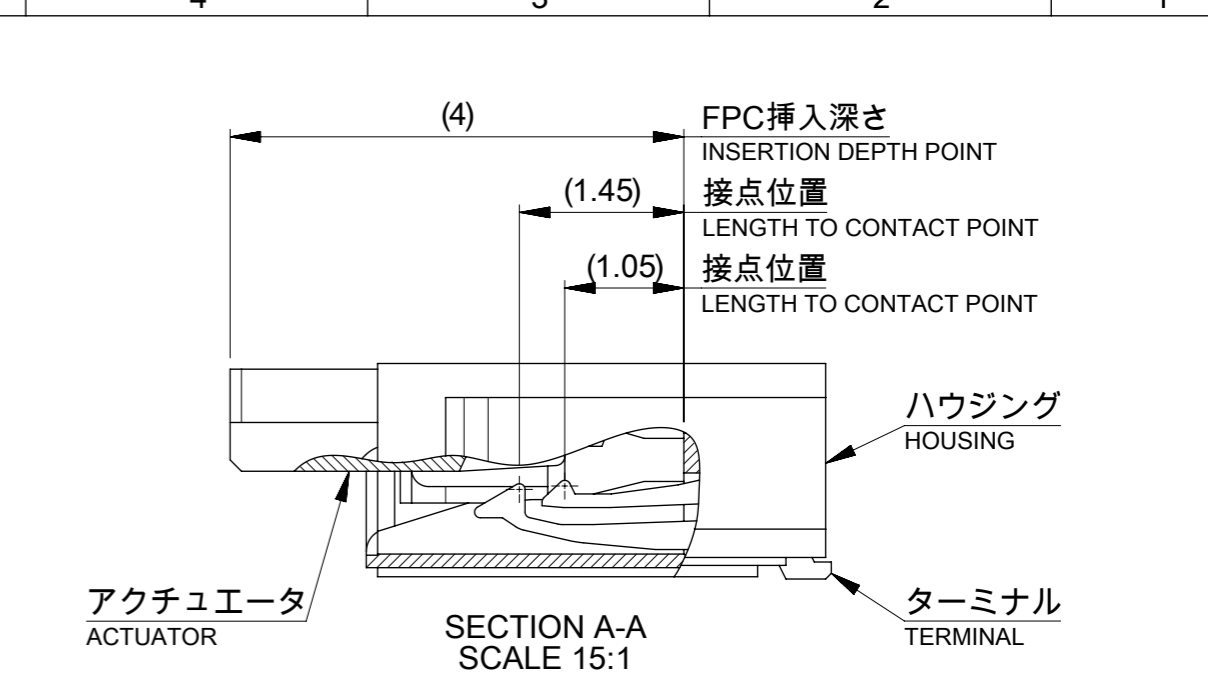
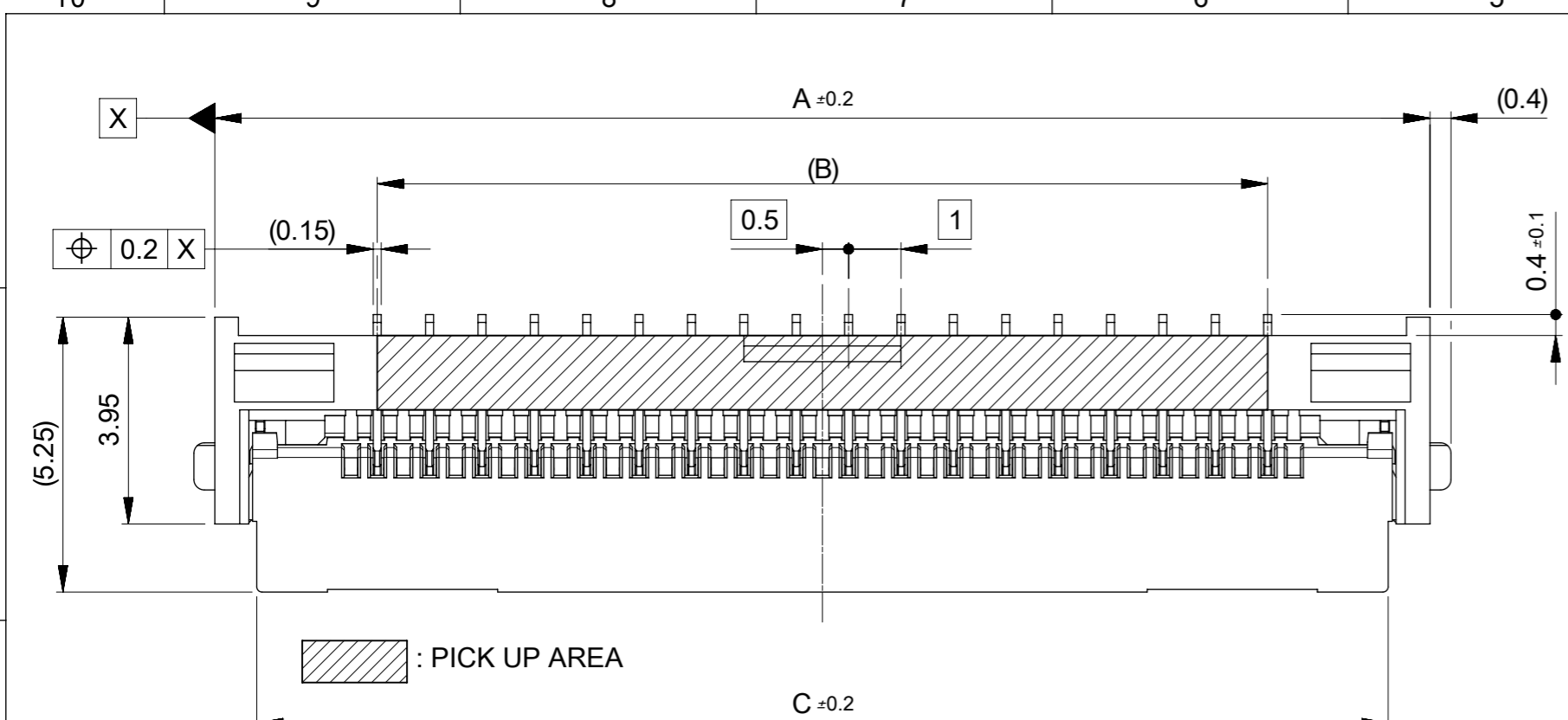
: PICK UP AREA



10.07	12.6	8	14.2	2005280090	9
9.07	11.6	7	13.2	2005280080	8
8.07	10.6	6	12.2	2005280070	7
7.07	9.6	5	11.2	2005280060	6
6.07	8.6	4	10.2	2005280050	5
5.07	7.6	3	9.2	2005280040	4
D	C	B	A	EMBOSSED PACKAGE オーダー番号 ORDER No.	Ckt

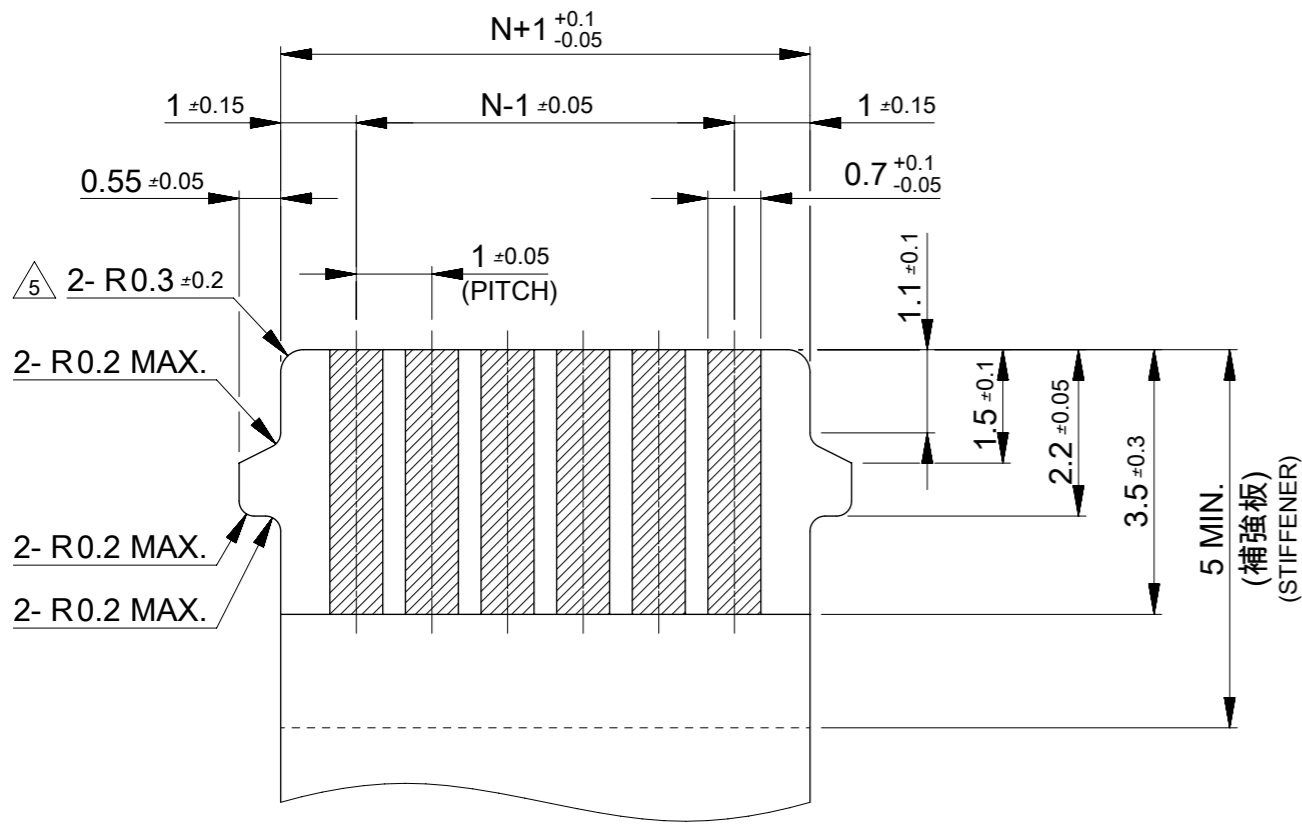
<b>SYMBOLS</b> ▽ = 0 ▽ = 0 ▽ = 0 ▽ = 0 ▽ = 0 ▽ = 0 ▽ = 0 ▽ = 0 ▽ = 0 ▽ = 0	THIS DRAWING CONTAINS INFORMATION THAT IS PROPRIETARY TO MOLEX ELECTRONIC TECHNOLOGIES, LLC AND SHOULD NOT BE USED WITHOUT WRITTEN PERMISSION. DIMENSION UNITS: <b>mm</b> SCALE: <b>8:1</b>	CURRENT REV DESC: REVISED EC NO: 622371 DRWN: SCV 2019/08/14 CHK'D: YNAITO 2019/08/14 APPR: RTAKEUCHI 2019/08/14	 <b>1.0 FPC ZIF 2 CONT HSG ASSY</b> PRODUCT CUSTOMER DRAWING	
	GENERAL TOLERANCES (UNLESS SPECIFIED) ANGULAR TOL ± 3.0° 4 PLACES ± 0.2 3 PLACES ± 0.2 2 PLACES ± 0.2 1 PLACE ± 0.25 0 PLACES ± 0.3	INITIAL REVISION: DRWN: JASANUMA 2018/10/05 APPR: RTAKEUCHI 2018/10/10		DOCUMENT NUMBER: <b>2005281000-SD</b> DOC TYPE: PSD DOC PART: 000 REVISION: C
	DRAFT WHERE APPLICABLE MUST REMAIN WITHIN DIMENSIONS	THIRD ANGLE PROJECTION 		DRAWING: A3-SIZE SERIES: 200528
	MATERIAL NUMBER: _____ CUSTOMER: _____ SHEET NUMBER: 1 OF 4			

CONNECTOR SERIES No. 2005281\*\*0

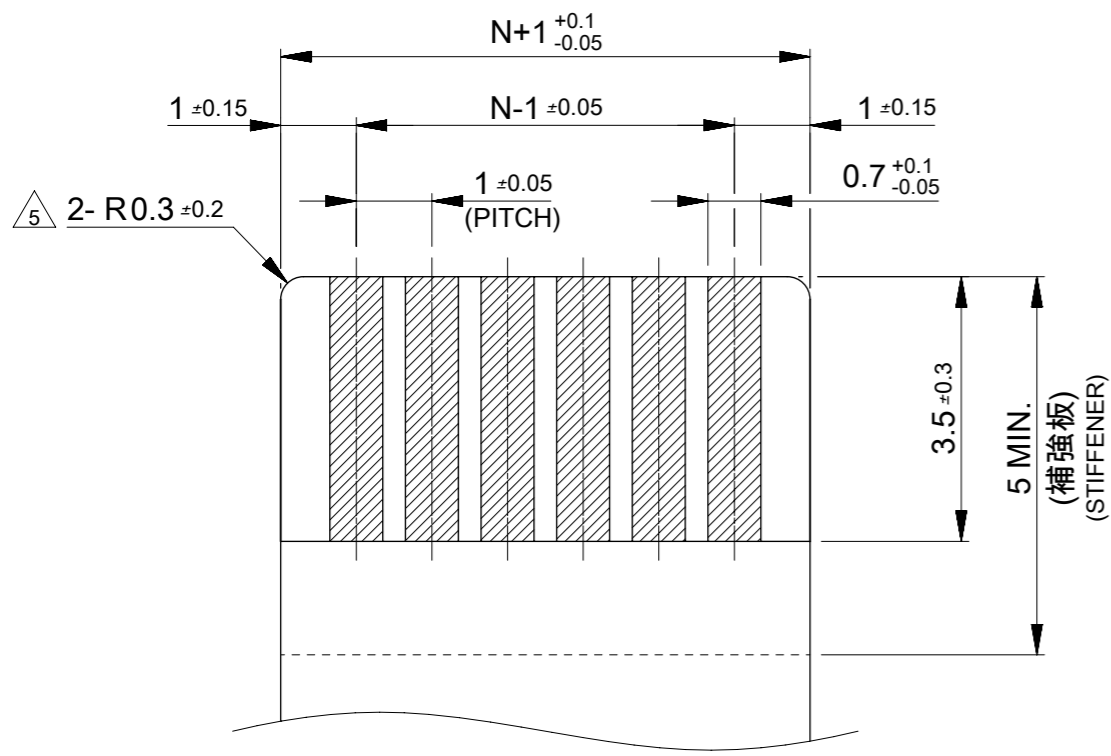


31	33.6	29	35.2	2005280300	30
30	32.6	28	34.2	2005280290	29
29	31.6	27	33.2	2005280280	28
28	30.6	26	32.2	2005280270	27
27	29.6	25	31.2	2005280260	26
26	28.6	24	30.2	2005280250	25
25	27.6	23	29.2	2005280240	24
24	26.6	22	28.2	2005280230	23
23	25.6	21	27.2	2005280220	22
22	24.6	20	26.2	2005280210	21
21	23.6	19	25.2	2005280200	20
20	22.6	18	24.2	2005280190	19
19	21.6	17	23.2	2005280180	18
18	20.6	16	22.2	2005280170	17
17	19.6	15	21.2	2005280160	16
16	18.6	14	20.2	2005280150	15
15	17.6	13	19.2	2005280140	14
14	16.6	12	18.2	2005280130	13
13	15.6	11	17.2	2005280120	12
12	14.6	10	16.2	2005280110	11
11	13.6	9	15.2	2005280100	10
D	C	B	A	EMBOSSED PACKAGE	Ckt
				オーダー番号 ORDER No.	

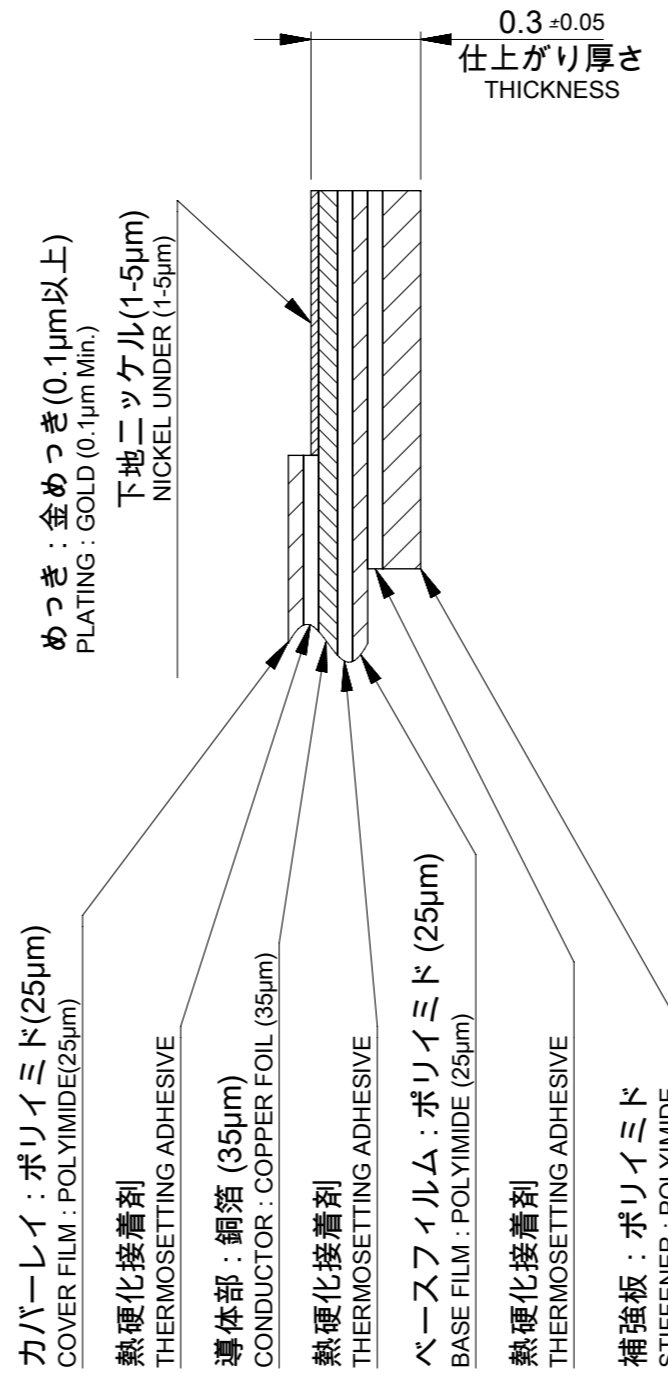
<b>SYMBOLS</b> DIMENSION UNITS: mm SCALE: 8:1 GENERAL TOLERANCES (UNLESS SPECIFIED): ANGULAR TOL ± 3.0° 4 PLACES ± 0.2 3 PLACES ± 0.2 2 PLACES ± 0.2 1 PLACE ± 0.25 0 PLACES ± 0.3 DRAFT WHERE APPLICABLE MUST REMAIN WITHIN DIMENSIONS	THIS DRAWING CONTAINS INFORMATION THAT IS PROPRIETARY TO MOLEX ELECTRONIC TECHNOLOGIES, LLC AND SHOULD NOT BE USED WITHOUT WRITTEN PERMISSION CURRENT REV DESC: REVISED			
	EC NO: 622371 DRWN: SCV 2019/08/14 CHK'D: YNAITO 2019/08/14 APPR: RTAKEUCHI 2019/08/14			
	INITIAL REVISION: DRWN: JASANUMA 2018/10/05 APPR: RTAKEUCHI 2018/10/10		PRODUCT CUSTOMER DRAWING	
	THIRD ANGLE PROJECTION DRAWING: A3-SIZE SERIES: 200528		DOCUMENT NUMBER: 2005281000-SD	DOC TYPE: PSD DOC PART: 000 REVISION: C



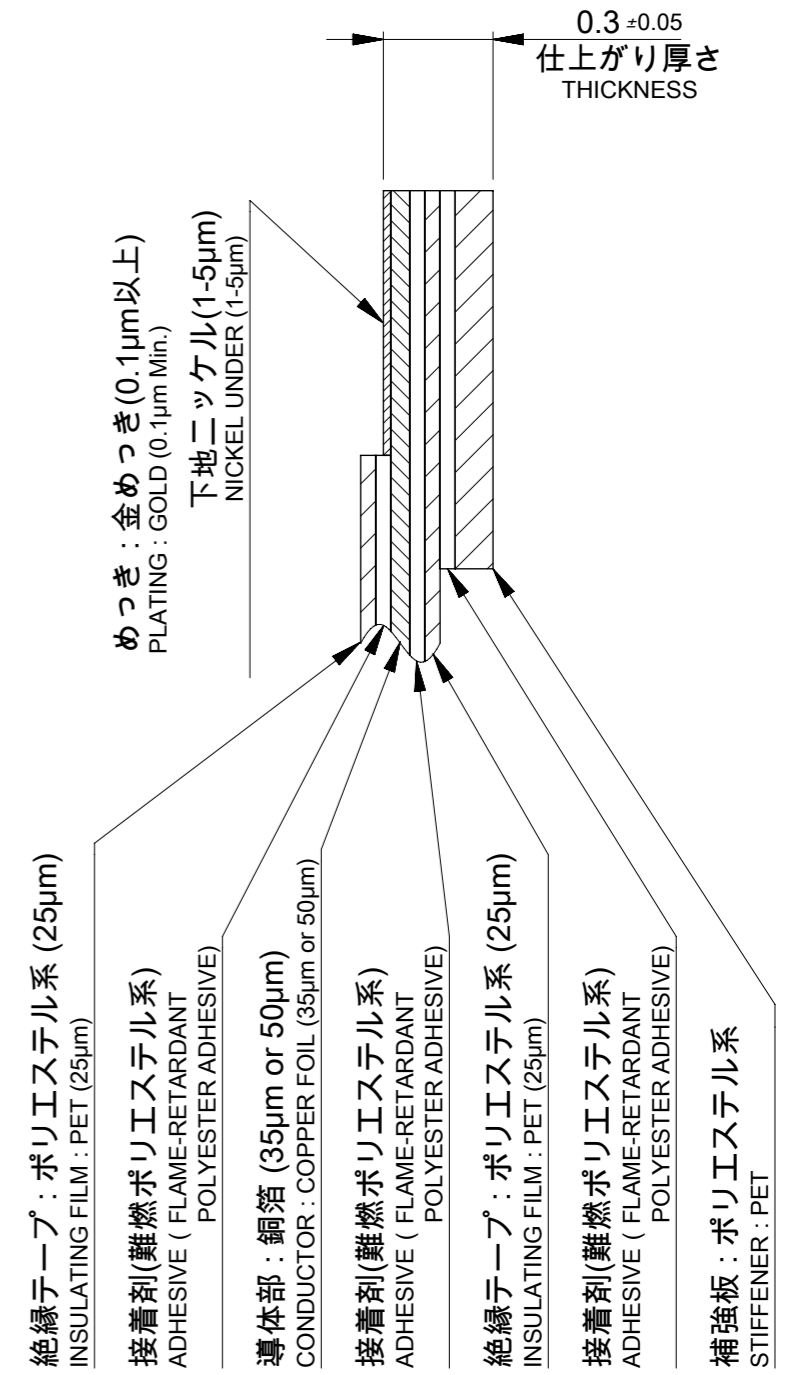
適合FPC/FFC推奨寸法  
APPLICABLE FPC/FFC RECOMMENDED DIMENSION



適合FPC/FFC推奨寸法  
APPLICABLE FPC/FFC RECOMMENDED DIMENSION

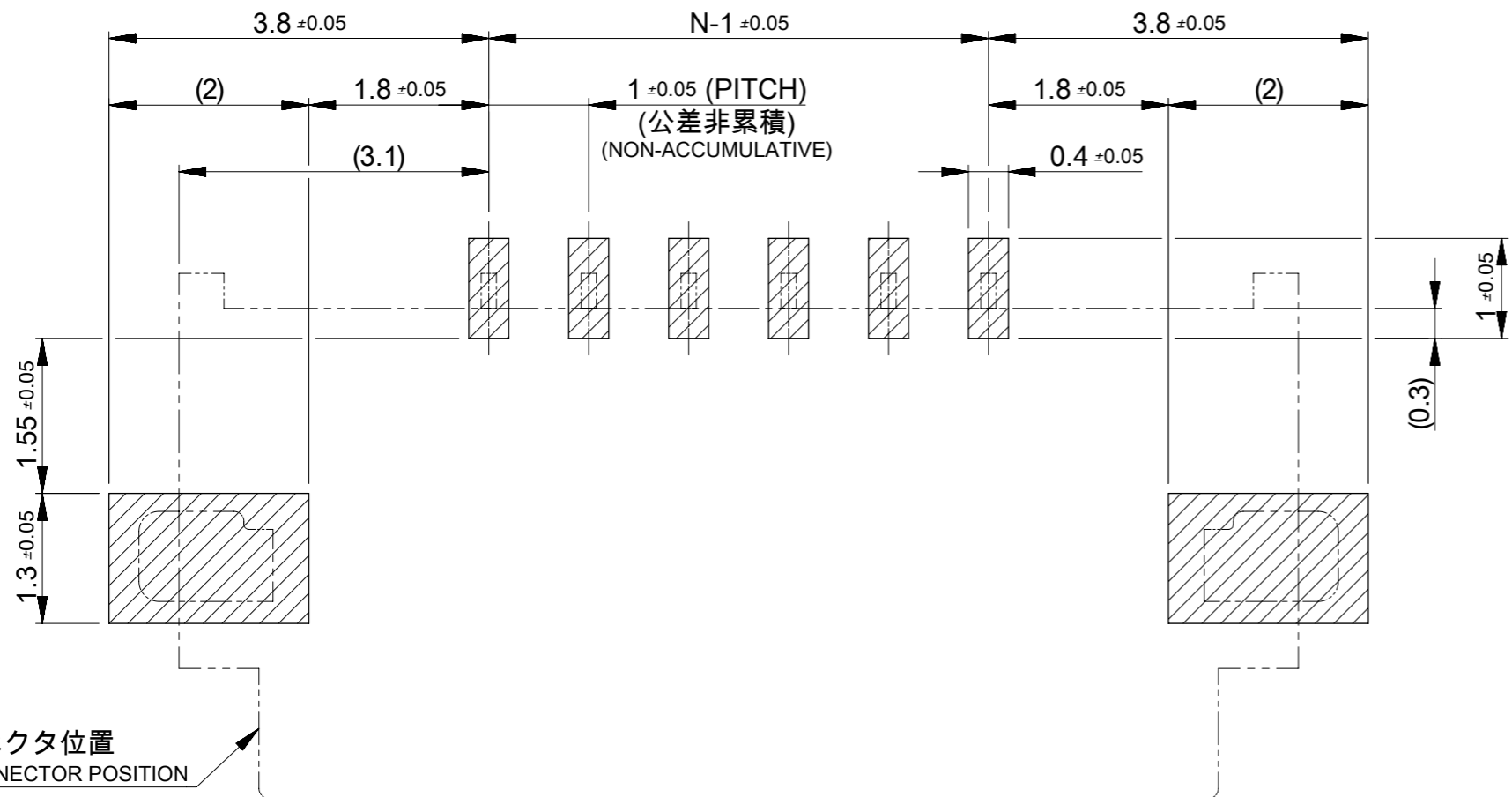


FPC構成推奨仕様  
STRUCTURE OF FPC



FFC構成推奨仕様  
STRUCTURE OF FFC

SYMBOLS	THIS DRAWING CONTAINS INFORMATION THAT IS PROPRIETARY TO MOLEX ELECTRONIC TECHNOLOGIES, LLC AND SHOULD NOT BE USED WITHOUT WRITTEN PERMISSION	
	DIMENSION UNITS	SCALE
$\nabla = 0$	mm	10:1
$\nabla = 0$	GENERAL TOLERANCES (UNLESS SPECIFIED)	
$\nabla = 0$	ANGULAR TOL	$\pm 3.0^\circ$
$\nabla = 0$	4 PLACES	$\pm 0.2$
$\nabla = 0$	3 PLACES	$\pm 0.2$
$\nabla = 0$	2 PLACES	$\pm 0.2$
$\nabla = 0$	1 PLACE	$\pm 0.25$
$\nabla = 0$	0 PLACES	$\pm 0.3$
$\nabla = 0$	DRAFT WHERE APPLICABLE MUST REMAIN WITHIN DIMENSIONS	
CURRENT REV DESC: REVISED		
EC NO: 622371		
DRWN: SCV 2019/08/14		
CHK'D: YNAITO 2019/08/14		
APPR: RTAKEUCHI 2019/08/14		
INITIAL REVISION:		
DRWN: JASANUMA 2018/10/05		
APPR: RTAKEUCHI 2018/10/10		
THIRD ANGLE PROJECTION		DRAWING
DRAWING		SERIES
A3-SIZE		200528
DOCUMENT NUMBER		DOC TYPE
2005281000-SD		PSD
DOC PART		REVISION
000		C
MATERIAL NUMBER		CUSTOMER
SHEET NUMBER		3 OF 4



推奨基板レイアウト  
RECOMMENDED P.W.B PATTERN LAYOUT

参考マスク厚 : 100µm  
REFERENCE SCREEN THICKNESS : 100µm  
参考マスク開口率 : 100%  
REFERENCE SCREEN OPEN RATIO : 100%

FPC/FFCについて ABOUT FPC/FFC

打ち抜き方向は導体側から補強板側を推奨します。  
導体部については軟箔銅35µmまたは50µmを推奨します。  
FFCに規定された定格温度がFFC単体前提である場合が御座います。  
コネクタと組み合わせた実使用において、接着層が劣化するなどの信頼性を満足できないケースを回避するため、  
実機での評価/確認をお願いいたします。  
RECOMMENDED PUNCHING DIRECTION : FROM CONDUCTOR SIDE TO STIFFENER SIDE  
RECOMMENDED CONDUCTOR SPEC : SOFT COPPER FOIL  
RECOMMENDED CONDUCTOR THICKNESS : 35 MICROMETER OR 50 MICROMETER  
NOTE : WHEN ACTUALLY USING IT WITH CONNECTOR, PLEASE DO THE EVALUATION AND THE CONFIRMATION WITH AN ACTUAL EQUIPMENT TO EVADE THE CASE WHERE RELIABILITY CANNOT BE FILLED (THE ADHESIVE LINE OF FFC IS DETERIORATED ETC.)

FPCについて ABOUT FPC

補強フィルム材質はポリイミドを推奨します。ベースフィルムは25µmを推奨します。  
接着剤は熱硬化接着剤を推奨します。  
尚、接着剤の接点部への付着は導通不良の原因になりますので、染み出しが無い様お願い致します。  
RECOMMENDED STIFFENER MATERIAL : POLYIMIDE  
RECOMMENDED BASE FILM THICKNESS : 25 MICROMETER  
RECOMMENDED ADHESIVE : THERMOSETTING ADHESIVE  
NOTE : PLEASE PUT APPROPRIATE AMOUNT OF ADHESIVE ON ADHEREND BECAUSE THERE IS A POSSIBILITY THAT THE EXTRA ADHESIVE CAUSES THE DEFECT IN ELECTRICAL CONTINUITY.

注記 NOTES

1. 使用材料 MATERIAL

ハウジング : 液晶ポリマー ガラス充填、UL94V-0 (ベージュ)  
HOUSING : LIQUID CRYSTAL POLYMER GLASS FILLED, UL94V-0 (BEIGE)  
アクチュエータ : ポリアミド ガラス充填、UL94V-0 (黒)  
ACTUATOR : POLYAMIDE GLASS FILLED, UL94V-0 (BLACK)  
ターミナル : リン青銅 (t=0.15)  
TERMINAL : PHOSPHOR BRONZE  
金具 : リン青銅 (t=0.15)  
FITTING NAIL : PHOSPHOR BRONZE

2. めっき仕様 PLATING

ターミナル TERMINAL  
コンタクト部 : 部分金めっき (0.05µm以上)  
CONTACT AREA : SEPARATED GOLD PLATING (0.05µm MINIMUM)  
テール部 : 部分金めっき  
SOLDER TAIL AREA : SEPARATED GOLD PLATING  
下地:ニッケルめっき (1.0µm以上)  
UNDERPLATE : NICKEL OVERALL (1.0µm MINIMUM)  
金具 FITTING NAIL  
錫めっき (1.0µm以上)  
TIN PLATING (1.0µm MINIMUM)  
下地:ニッケルめっき (1.0µm以上)  
UNDER PLATING : NICKEL PLATING (1.0µm MINIMUM)

3. エンボステープ梱包時は、アクチュエータが閉じた状態とする。  
IN THE PACKAGE, ACTUATOR OF PART SHOULD BE CLOSED.

△4 パターン剥離止め用金具  
FITTING NAIL FOR PREVENTING PEELING OF P.W.B. PATTERN.

△5 R0.3はFPC/FFC導体部にかからないこと。  
R0.3 MUST NOT BE OVERLAPPED TO PATTERN OF FPC/FFC.

6. N : 極数 N : CIRCUIT

7. テールと金具を併せた平坦度は0.1mm以下とする。  
TAILS AND NAILS COPLANALITY TO BE 0.1mm MAXIMUM.

SYMBOLS	THIS DRAWING CONTAINS INFORMATION THAT IS PROPRIETARY TO MOLEX ELECTRONIC TECHNOLOGIES, LLC AND SHOULD NOT BE USED WITHOUT WRITTEN PERMISSION		CURRENT REV DESC: REVISED		<b>molex</b>
	▽ = 0	mm	SCALE	15:1	
▽ = 0	GENERAL TOLERANCES (UNLESS SPECIFIED)		EC NO: 622371		1.0 FPC ZIF 2 CONT HSG ASSY
▽ = 0	ANGULAR TOL	± 3.0°	DRWN: SCV	2019/08/14	
▽ = 0	4 PLACES	± 0.2	CHK'D: YNAITO	2019/08/14	PRODUCT CUSTOMER DRAWING
▽ = 0	3 PLACES	± 0.2	APPR: RTAKEUCHI	2019/08/14	
▽ = 0	2 PLACES	± 0.2	INITIAL REVISION:		DOCUMENT NUMBER
▽ = 0	1 PLACE	± 0.25	DRWN: JASANUMA	2018/10/05	
▽ = 0	0 PLACES	± 0.3	APPR: RTAKEUCHI	2018/10/10	2005281000-SD
■ = 0	DRAFT WHERE APPLICABLE MUST REMAIN WITHIN DIMENSIONS		THIRD ANGLE PROJECTION	DRAWING	SERIES
▽ = 0				A3-SIZE	200528
			MATERIAL NUMBER	CUSTOMER	SHEET NUMBER
					4 OF 4

单击下面可查看定价，库存，交付和生命周期等信息

[>>MOLEX](#)