

MATERIAL NUMBER	# OF COLUMNS	# OF DIFF PAIR	DIM "A" MAX	DIM "B"	PTH \varnothing
76500-*8**	8	32	22.80	13.30	0.46±0.05
76500-*1**	10	40	26.60	17.10	0.46±0.05
76500-*6**	16	64	38.00	28.50	0.46±0.05
76500-*8**	8	32	22.80	13.30	0.39±0.05
76500-*1**	10	40	26.60	17.10	0.39±0.05
76500-*6**	16	64	38.00	28.50	0.39±0.05

76500-****

MODULE TYPE
 5 = RIGHT GUIDED, LEAD-FREE
 9 = RIGHT GUIDED, LEAD-FREE W/ ENDWALL

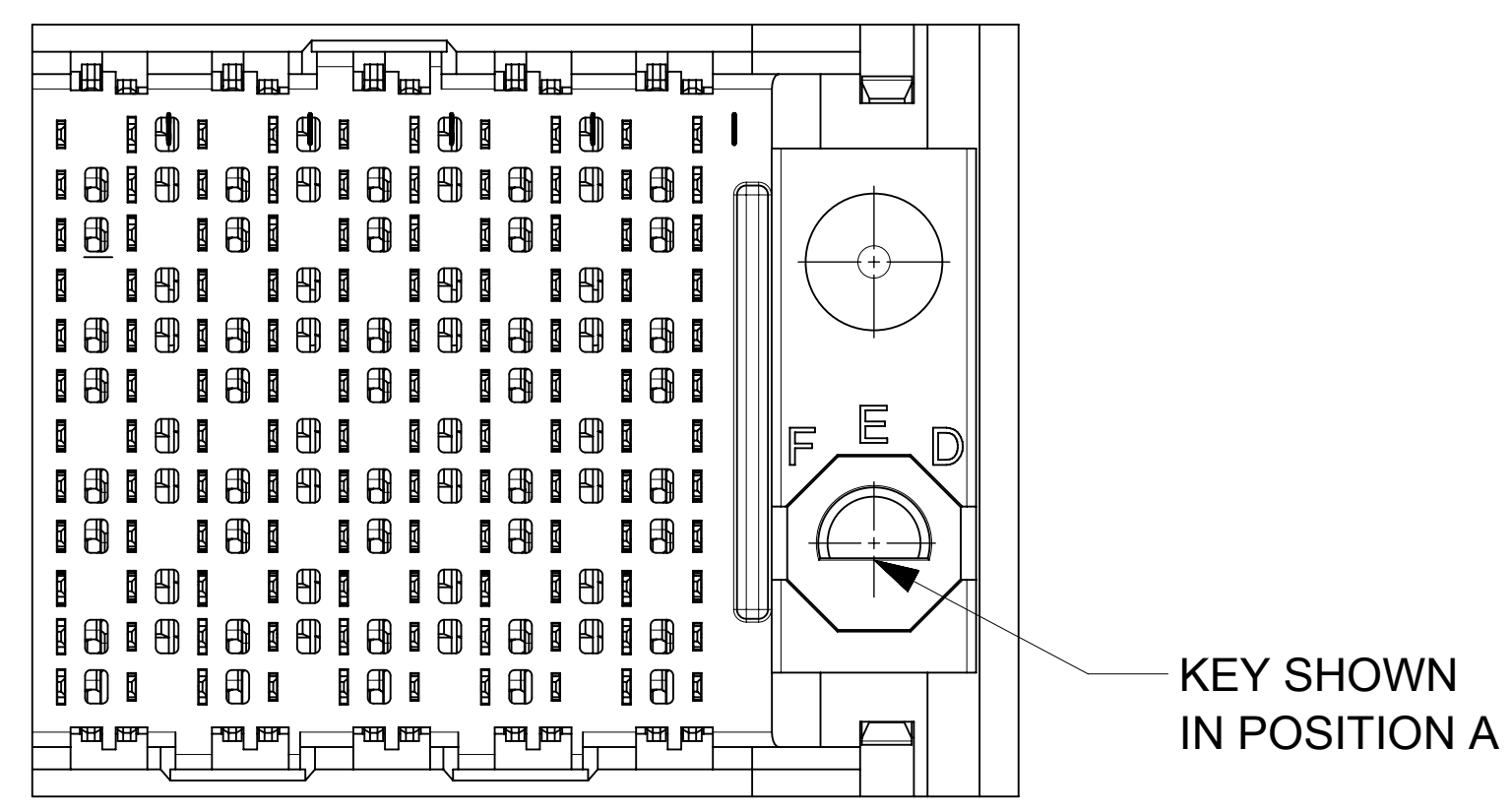
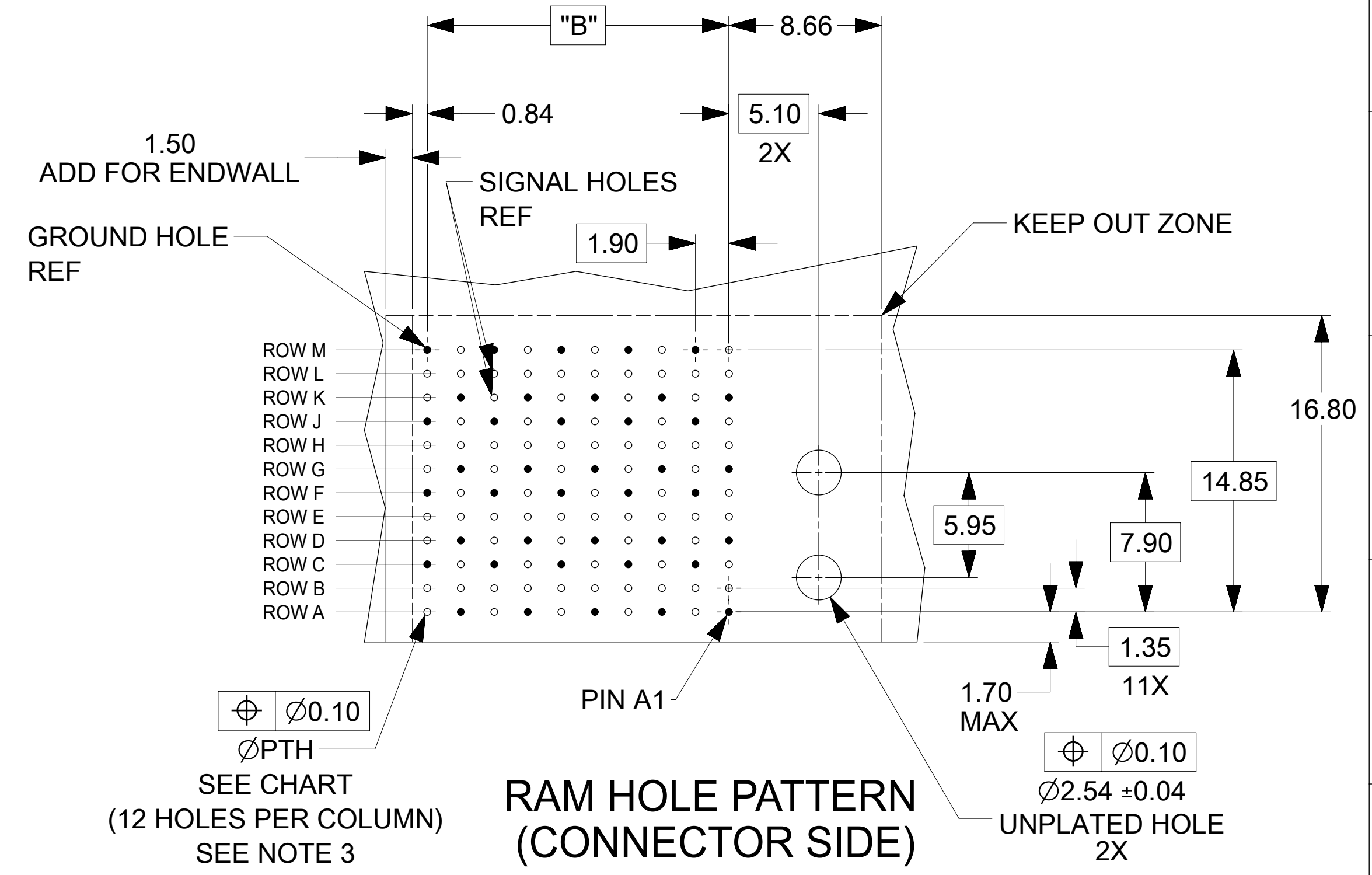
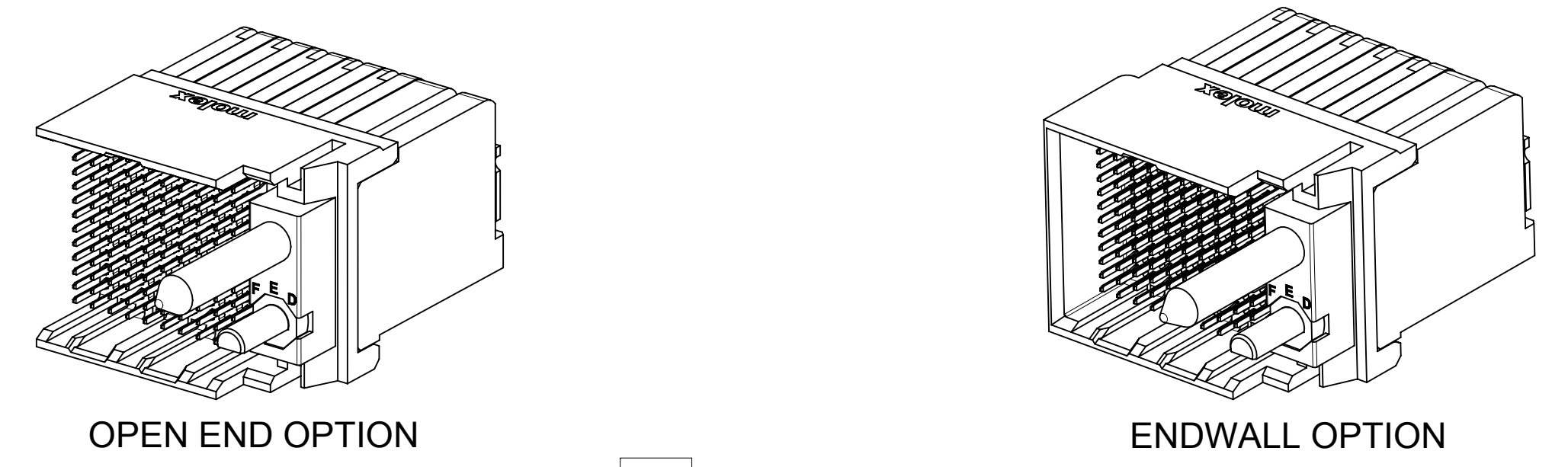
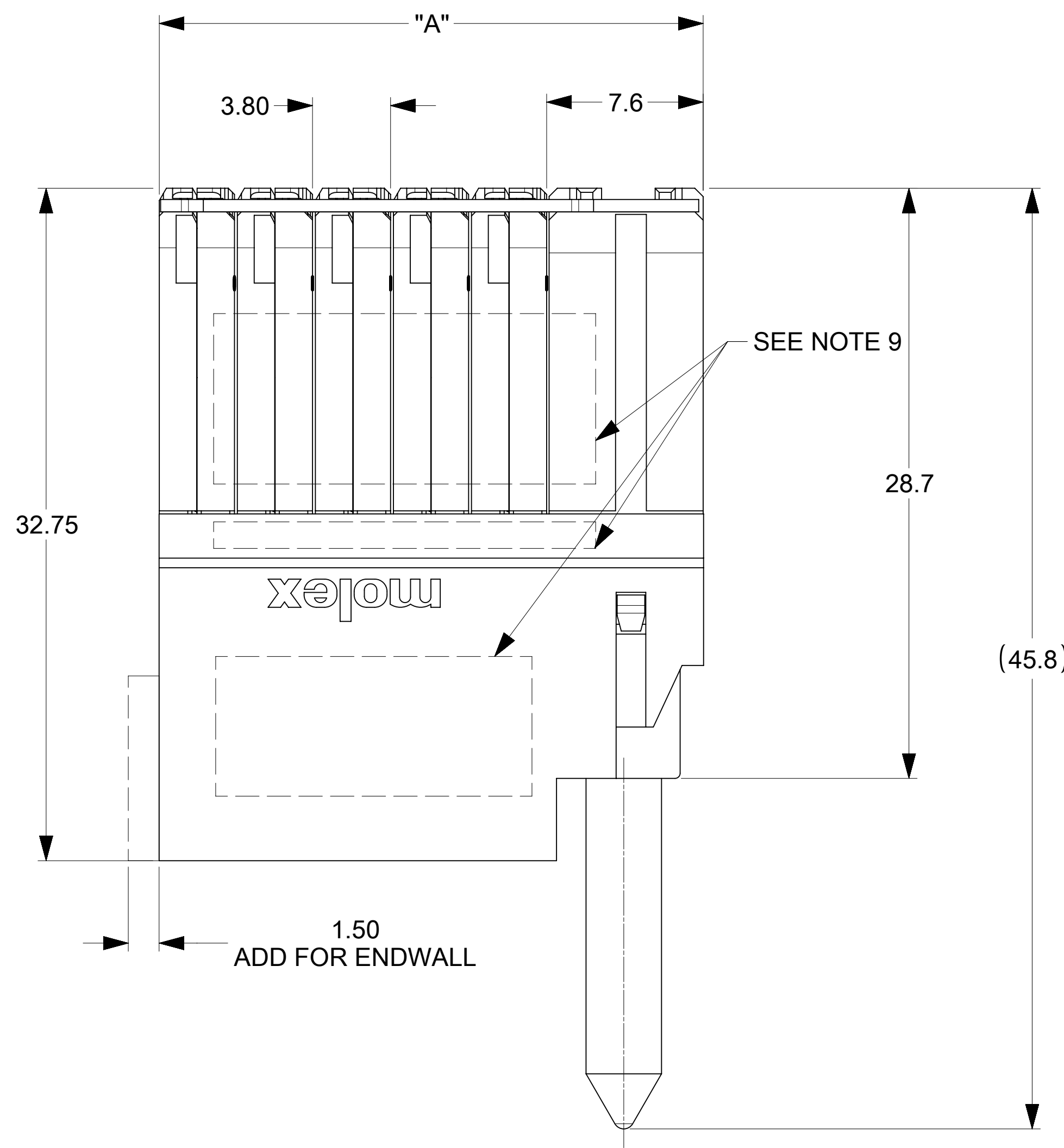
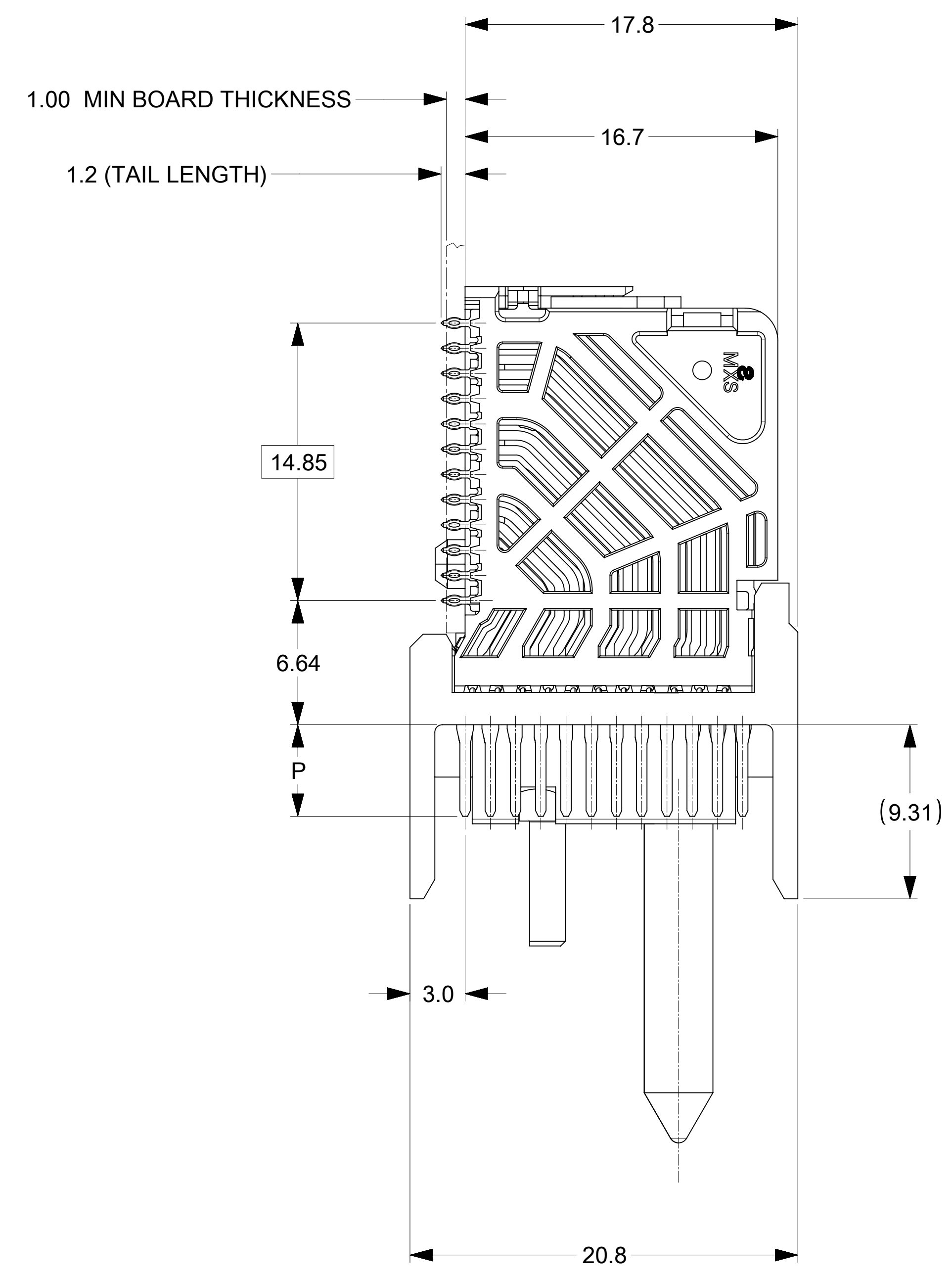
PIN LENGTH (P)
 4 = 4.90 (0.46 PTH)
 5 = 5.50 (0.46 PTH)
 7 = 4.90 (0.39 PTH)
 8 = 5.50 (0.39 PTH)

OF COLUMNS
 1 = 10 COLUMNS
 6 = 16 COLUMNS
 8 = 8 COLUMNS

KEY ORIENTATION
 0 = NO KEY
 1 = A 5 = E
 2 = B 6 = F
 3 = C 7 = G
 4 = D 8 = H

NOTES:

- MATERIALS: HOUSING - LIQUID CRYSTAL POLYMER (LCP), GLASS-FILLED, UL94V-0
 TERMINALS - HIGH PERFORMANCE COPPER ALLOY
- FINISH: 30 μ IN SELECTIVE GOLD IN CONTACT AREA, SELECTIVE TIN ON PCB TAILS, NICKEL OVERALL.
- REFER TO MOLEX PRODUCT SPECIFICATION PS-76060-999 FOR PERFORMANCE SPECIFICATIONS AND ADDITIONAL PCB INFORMATION.
- EACH SIGNAL WAFER CONTAINS 2 COLUMNS OF TERMINALS.
- PRODUCT IS PACKAGED PER PK-70873-041.
- THIS PART CONFORMS TO CLASS B REQUIREMENTS OF COSMETIC SPEC PS-45499-002.7. REFER TO MOLEX SALES DRAWING SD-76160-002 FOR THE MATING RECEPTACLES.
- REFER TO MOLEX PCB ROUTING GUIDE AS-76060-990 FOR ANTIPAD AND ROUTING RECOMMENDATIONS.
- WHEN USING MOLEX SUPPLIED #2-32 SCREW 73726-0000 (9.50mm ±0.38 THREADABLE SCREW LENGTH), THE MAXIMUM BOARD THICKNESS IS 4.4mm.
- GUIDE RIGHT RAM MATES WITH A GUIDE LEFT DAUGHTERCARD.
- MARKING: LOCATED APPROXIMATELY AS SHOWN. PART NUMBER AND DATE CODE.



THIS DRAWING CONTAINS INFORMATION THAT IS PROPRIETARY TO MOLEX ELECTRONIC TECHNOLOGIES, LLC AND SHOULD NOT BE USED WITHOUT WRITTEN PERMISSION

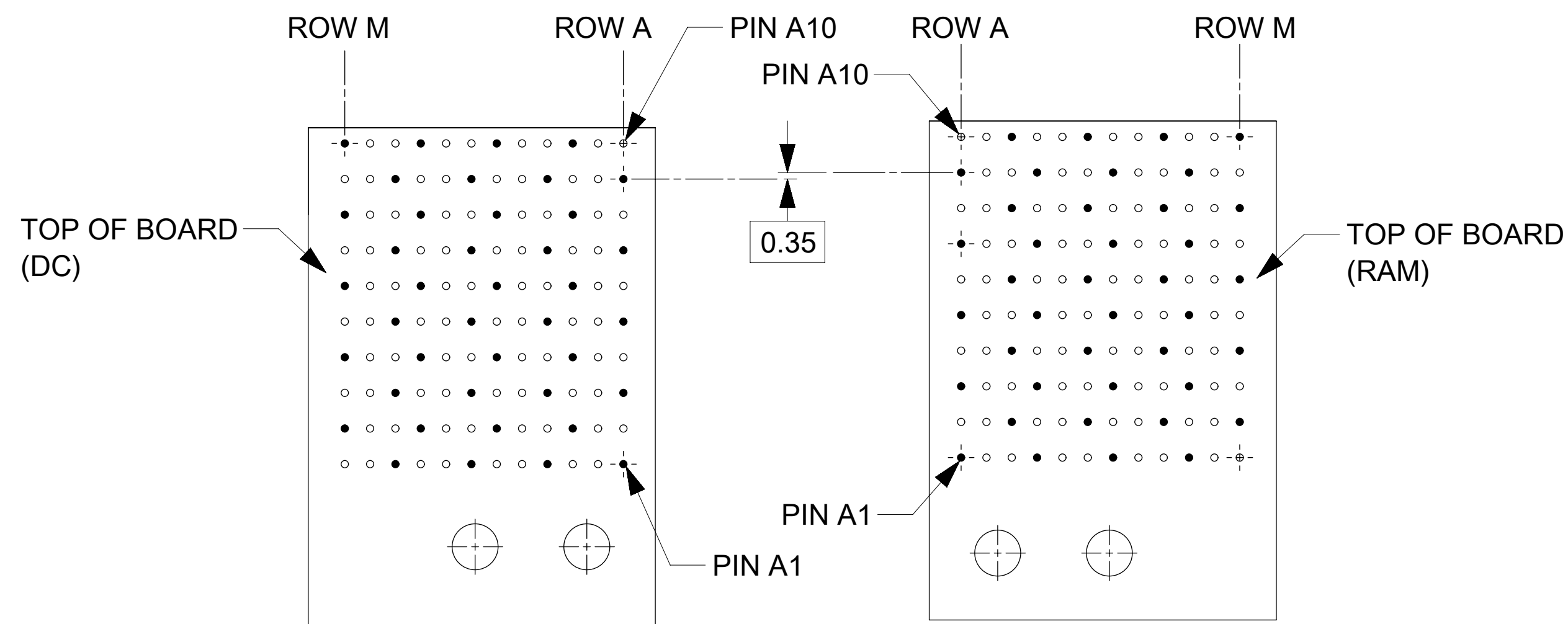
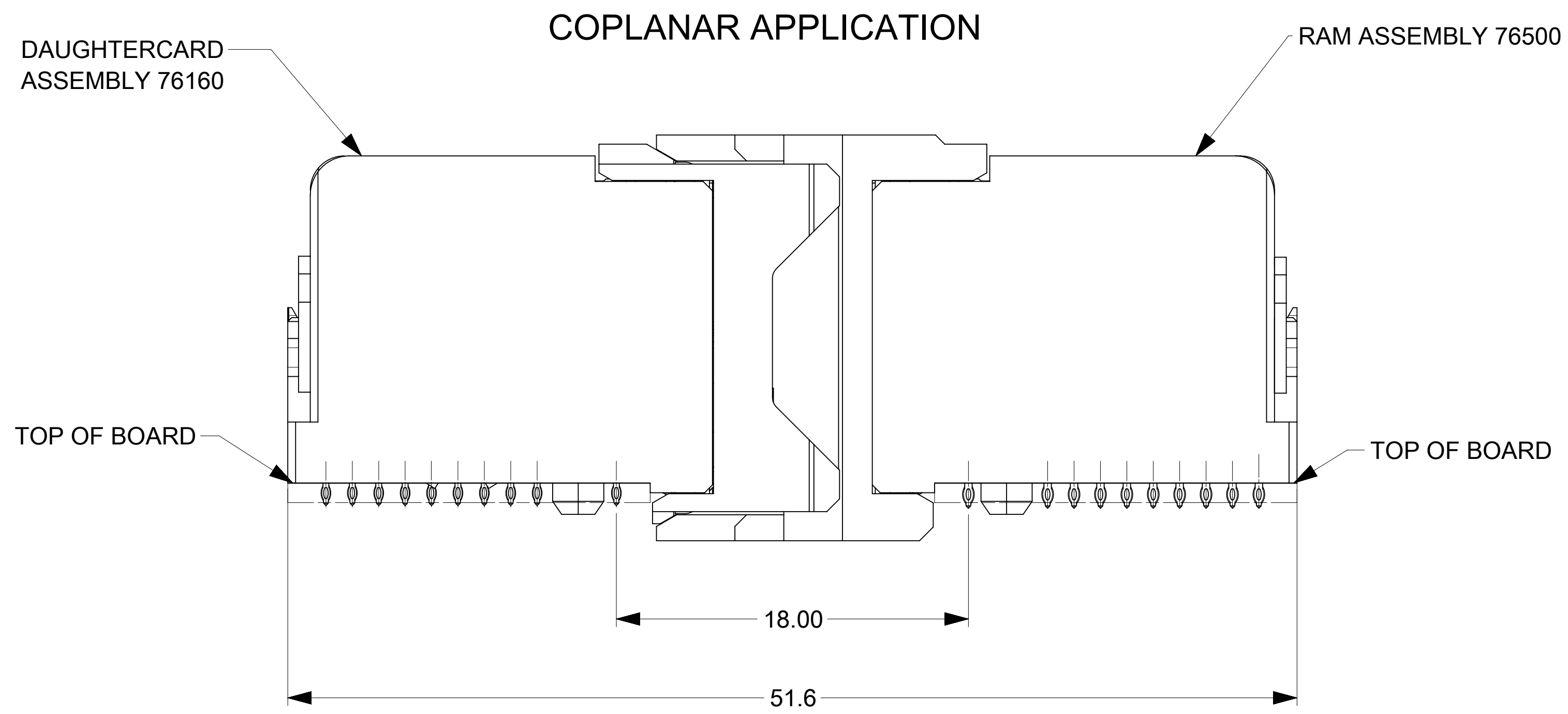
DIMENSION UNITS: mm	SCALE: NTS	CURRENT REV DESC: REMASTERED TO NX	
GENERAL TOLERANCES (UNLESS SPECIFIED)		EC NO: 705090	
ANGULAR TOL: ± 0.5°		DRWN: DYARAS	2021/12/13
4 PLACES: ±		CHK'D: YOGEEB	2022/02/17
3 PLACES: ±		APPR: LZENG	2022/05/13
2 PLACES: ± 0.13		INITIAL REVISION:	
1 PLACE: ± 0.25		DRWN: JQUILES	2009/01/12
0 PLACES: ±		APPR: JLAURX	2009/01/13
DRAFT WHERE APPLICABLE MUST REMAIN WITHIN DIMENSIONS	THIRD ANGLE PROJECTION	DRAWING: D-SIZE	SHEET NUMBER: 1 OF 2
		SERIES: 76500	
		MATERIAL NUMBER: SEE TABLE	CUSTOMER: GENERAL MARKET

molex

IMPACT 4 PAIR RAM
 GUIDE RIGHT SIGNAL MODULE SALES DWG

PRODUCT CUSTOMER DRAWING

DOCUMENT NUMBER: SD-76500-004 DOC TYPE: PSD DOC PART: 001 REVISION: F4



COPLANAR MATED SIGNAL PATHS

DC PIN A10-----RAM PIN A10

|

|

DC PIN A1-----RAM PIN A1

THIS DRAWING CONTAINS INFORMATION THAT IS PROPRIETARY TO MOLEX ELECTRONIC TECHNOLOGIES, LLC AND SHOULD NOT BE USED WITHOUT WRITTEN PERMISSION											
DIMENSION UNITS		SCALE		CURRENT REV DESC: REMASTERED TO NX				molex			
mm		NTS									
GENERAL TOLERANCES (UNLESS SPECIFIED)				EC NO: 705090 DRWN: DYARAS 2021/12/13 CHK'D: YOGEEB 2022/02/17 APPR: LZENG 2022/05/13 INITIAL REVISION: DRWN: JQUILES 2009/01/12 APPR: JLAURX 2009/01/13							
ANGULAR TOL ± 0.5°											
4 PLACES ±											
3 PLACES ±											
2 PLACES ± 0.13											
1 PLACE ± 0.25											
0 PLACES ±				DOCUMENT NUMBER		DOC TYPE		DOC PART		REVISION	
DRAFT WHERE APPLICABLE MUST REMAIN WITHIN DIMENSIONS				THIRD ANGLE PROJECTION		DRAWING		SERIES		MATERIAL NUMBER	
						D-SIZE		76500		SEE TABLE	
						GENERAL MARKET				SHEET NUMBER	
										2 OF 2	

单击下面可查看定价，库存，交付和生命周期等信息

[>>MOLEX](#)