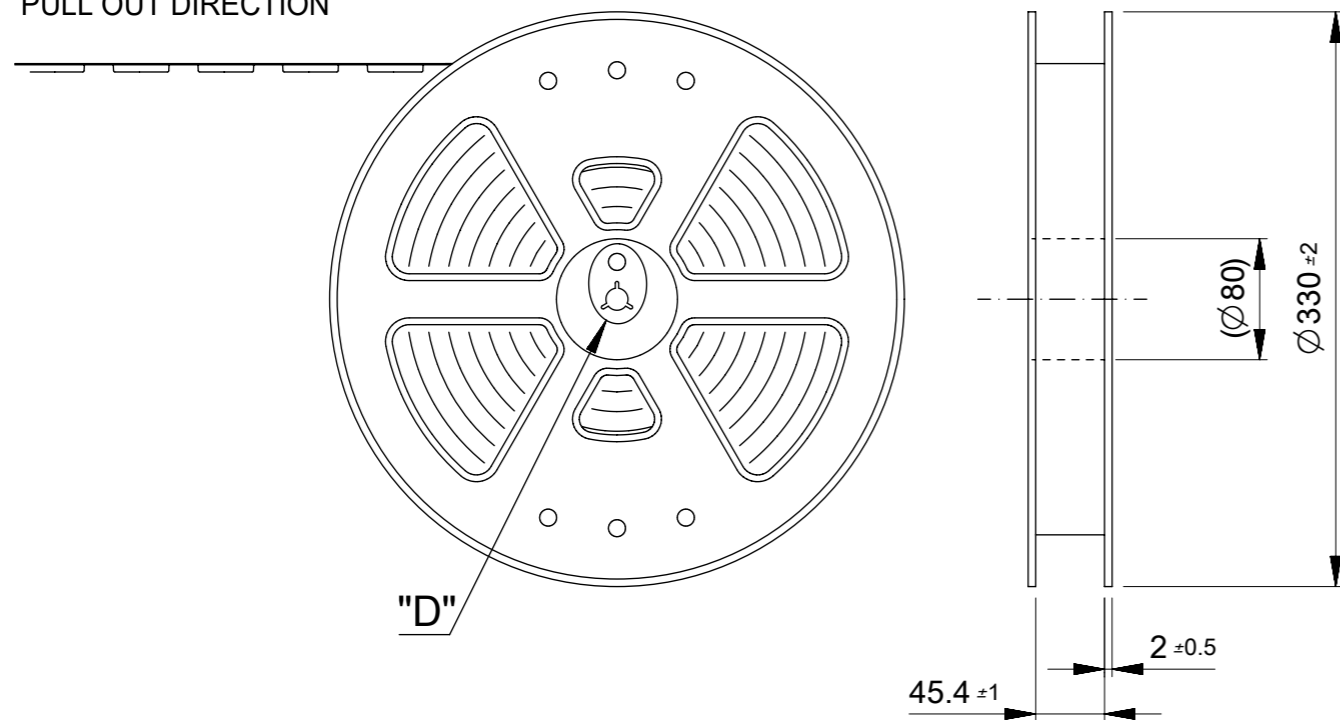
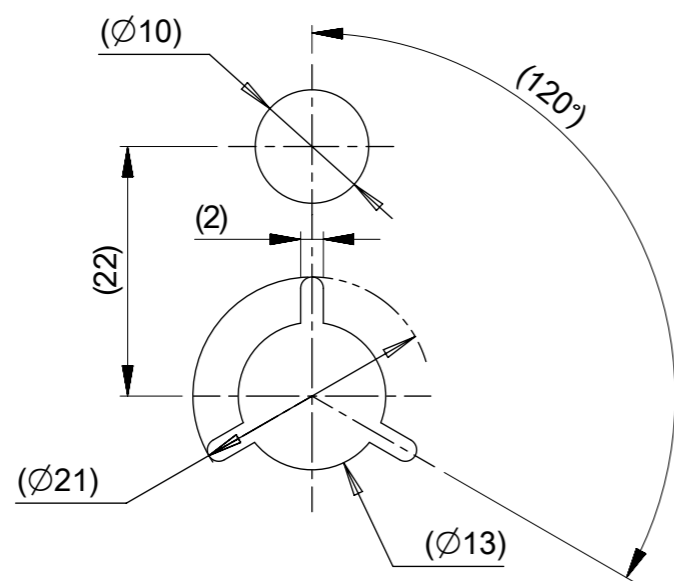


引き出し方向
PULL OUT DIRECTION



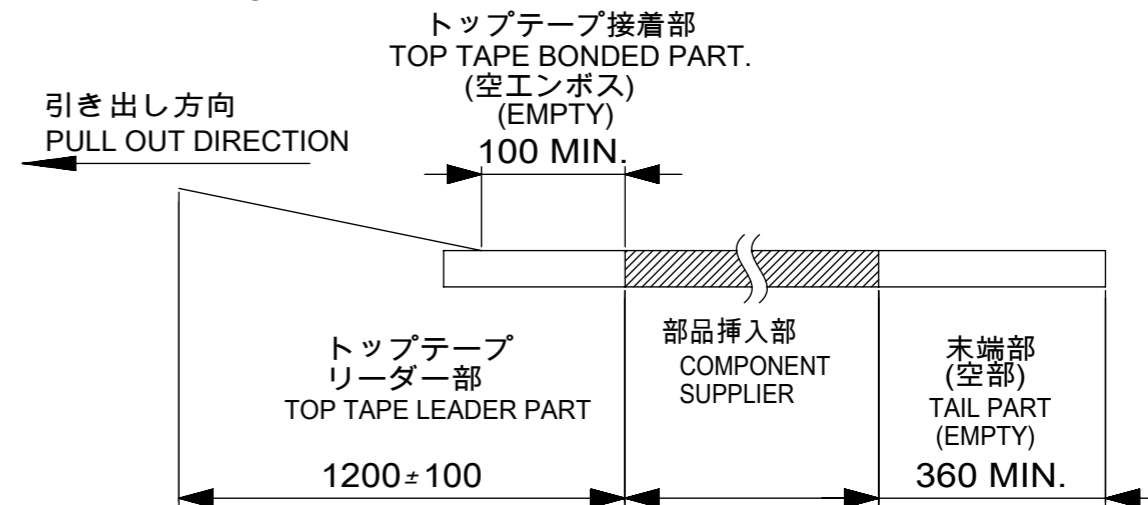
"D"



DETAIL "D"

NOTES

- 製品詳細寸法については、SD 図面を参照下さい。
DETAILED DIMENSION, SEE SALES DRAWING.
- 梱包数量 : 300個 / リール
NUMBER OF CONNECTORS : 300 PCS/REEL.
- リードテープ長さ
LEAD TAPE LENGTH.

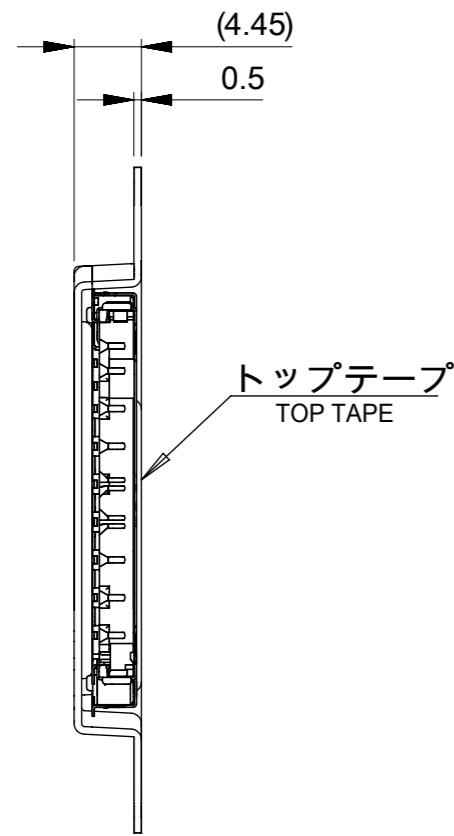


4. 材料 MATERIAL

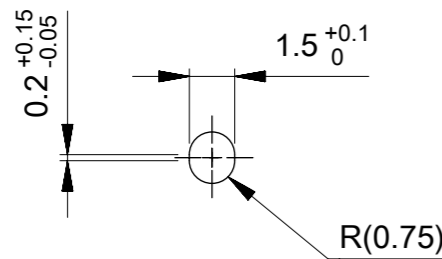
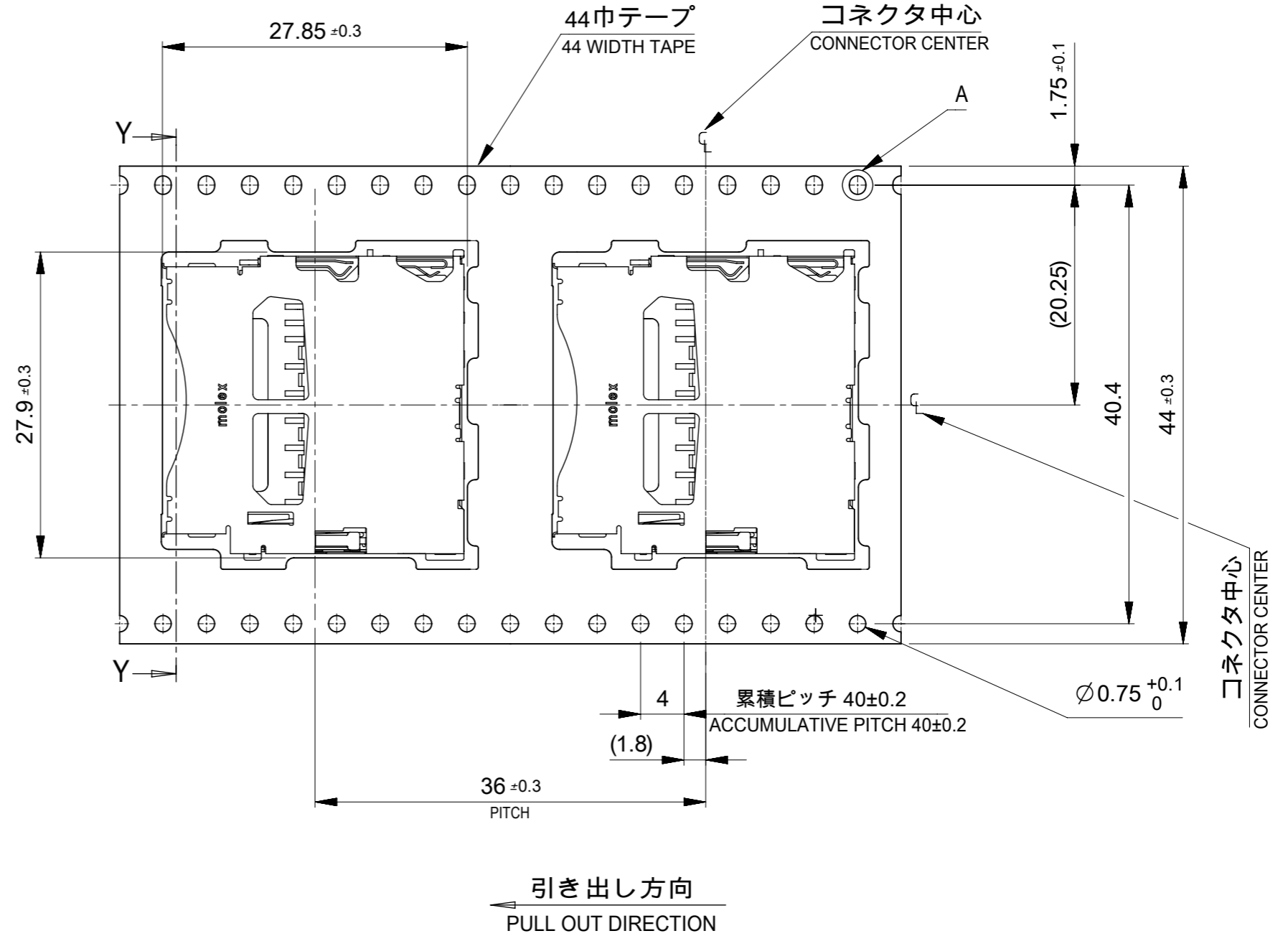
- キャリアテープ (CARRIER TAPE) ポリスチレン (POLYSTYRENE)
- トップテープ (TOP TAPE): PET, PE, PEF
- リール (REEL): ポリスチレン (PS) (リサイクル材含む)
POLYSTYRENE (PS) (RECYCLE MATERIAL CONTAINED)

THIS DRAWING CONTAINS INFORMATION THAT IS PROPRIETARY TO MOLEX ELECTRONIC TECHNOLOGIES, LLC AND SHOULD NOT BE USED WITHOUT WRITTEN PERMISSION									
DIMENSION UNITS mm		SCALE 4:1		CURRENT REV DESC:				molex	
GENERAL TOLERANCES (UNLESS SPECIFIED)				EC NO: 623513					
ANGULAR TOL ± 1.0 °				DRWN: GB 2019/09/04				SD CARD CONN. PUSH/PUSH NORMAL EMBOSSED TAPE PACKAGE	
4 PLACES ± 0.03				CHK'D: GGA 2019/09/05				PRODUCT CUSTOMER DRAWING	
3 PLACES ± 0.03				APPR: GGA 2019/09/05				DOCUMENT NUMBER	
2 PLACES ± 0.05				INITIAL REVISION:				5035000000	
1 PLACE ± 0.1				DRWN: YHONDA01 2017/08/07				DOC TYPE DOC PART REVISION	
0 PLACES ± 0.2				APPR: RTAKEUCHI 2017/08/21				PSD 010 B1	
DRAFT WHERE APPLICABLE MUST REMAIN WITHIN DIMENSIONS		THIRD ANGLE PROJECTION		DRAWING		SERIES		MATERIAL NUMBER	
		A3-SIZE		503500		SEE CHART		CUSTOMER	
						GENERAL		SHEET NUMBER	
								1 OF 2	

503500-0993	9
EMBOSSSED TAPE	極数
ORDER No. オーダー番号	CIRCUITS
CONNECTOR SERIES NO. 503500-**13	
DOCUMENT STATUS	P1
RELEASE DATE	2019/09/05

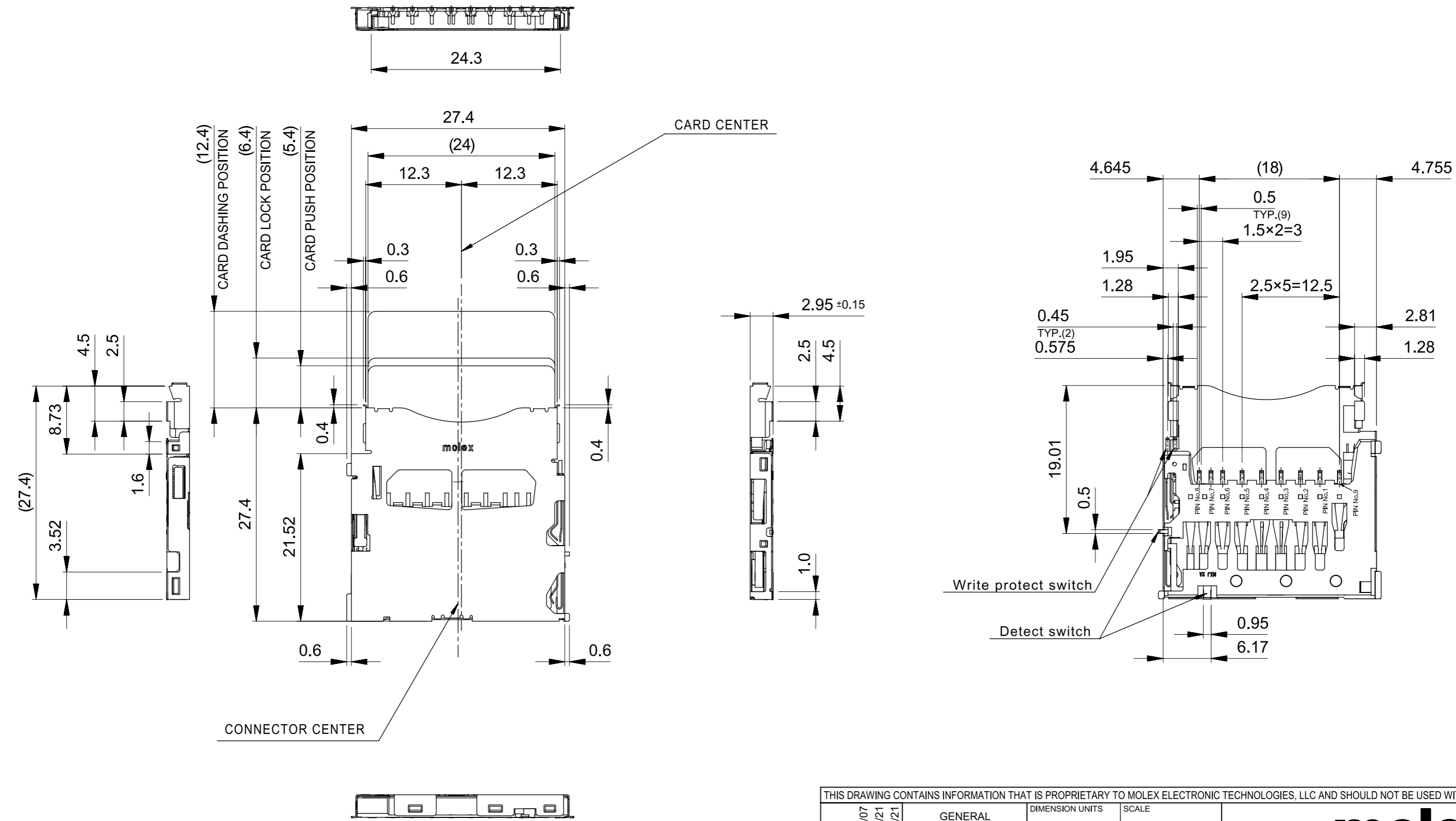


SECTION Y-Y



DETAIL A
(5-1)

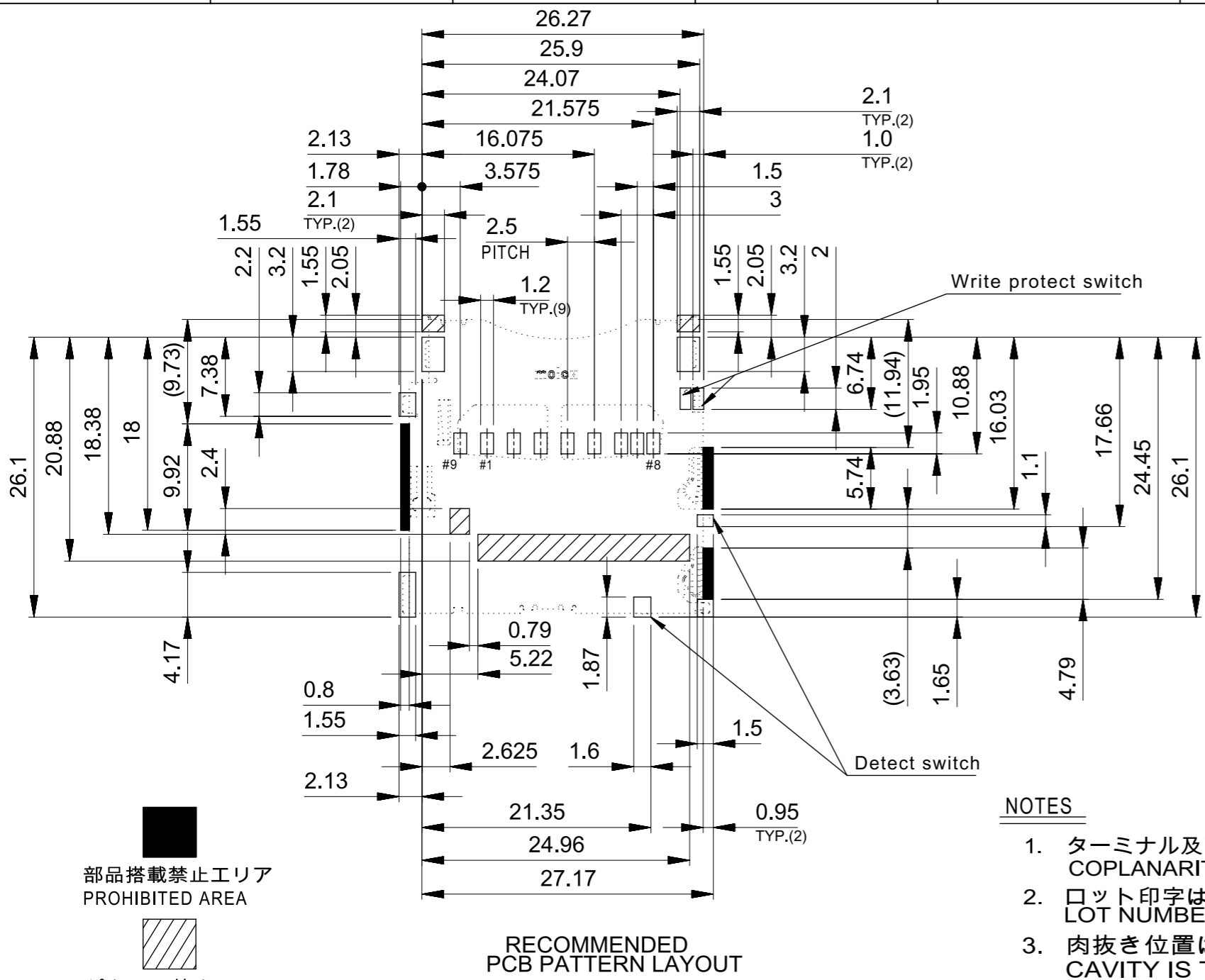
THIS DRAWING CONTAINS INFORMATION THAT IS PROPRIETARY TO MOLEX ELECTRONIC TECHNOLOGIES, LLC AND SHOULD NOT BE USED WITHOUT WRITTEN PERMISSION										
DIMENSION UNITS	SCALE	CURRENT REV DESC:					molex			
mm	4:1									
GENERAL TOLERANCES (UNLESS SPECIFIED)		EC NO: 623513					SD CARD CONN. PUSH/PUSH NORMAL EMBOSSED TAPE PACKAGE			
ANGULAR TOL	± 1.0 °	DRWN: GB	2019/09/04			PRODUCT CUSTOMER DRAWING				
4 PLACES	± 0.03	CHK'D: GGA	2019/09/05			DOCUMENT NUMBER				
3 PLACES	± 0.03	APPR: GGA	2019/09/05			5035000000				
2 PLACES	± 0.05	INITIAL REVISION:		2017/08/07		DOC TYPE	DOC PART	REVISION		
1 PLACE	± 0.1	DRWN: YHONDA01	2017/08/21			PSD	010	B1		
0 PLACES	± 0.2	APPR: RTAKEUCHI	2017/08/21			MATERIAL NUMBER	CUSTOMER	SHEET NUMBER		
DRAFT WHERE APPLICABLE MUST REMAIN WITHIN DIMENSIONS		THIRD ANGLE PROJECTION	DRAWING	SERIES	MATERIAL NUMBER	CUSTOMER	SHEET NUMBER			
			A3-SIZE	503500	SEE CHART	GENERAL	2 OF 2			



THIS DRAWING CONTAINS INFORMATION THAT IS PROPRIETARY TO MOLEX ELECTRONIC TECHNOLOGIES, LLC AND SHOULD NOT BE USED WITHOUT WRITTEN PERMISSION

EC NO: 120830 DRWN: YHONDA01 CHK'D: KTANAKA03 APPR: RTAKEUCHI	2017/08/07	GENERAL TOLERANCES (UNLESS SPECIFIED)		DIMENSION UNITS	SCALE	
	2017/08/21	ANGULAR TOL ± 1.0 °		mm	2:1	
	2017/08/21	4 PLACES	± 0.2	DRWN BY	DATE	
		3 PLACES	± 0.2	YHONDA01	2017/08/07	
		2 PLACES	± 0.2	CHK'D BY	DATE	
		1 PLACE	± 0.2	KTANAKA03	2017/08/21	
		0 PLACES	± 0.2	APPR BY	DATE	
				RTAKEUCHI	2017/08/21	
DRAFT WHERE APPLICABLE MUST REMAIN WITHIN DIMENSIONS		DRAWING SIZE	THIRD ANGLE PROJECTION			
		A3				
						SD CARD CONN. PUSH/PUSH NORMAL ASSY
						PRODUCT CUSTOMER DRAWING
		SERIES	MATERIAL NUMBER	CUSTOMER		
		503500	SEE CHART IN SHEET 1	GENERAL		
		DOCUMENT NUMBER	DOC TYPE	DOC PART	SHEET NUMBER	
		5035001000	PSD	010	1 OF 2	

503500-0993	9
EMBOSSSED TAPE	極数
ORDER No. オーダー番号	CIRCUITS
CONNECTOR SERIES NO. 503500-***13	
RELEASE STATUS	P1
RELEASE DATE	21.08.2017



番号 No.	名称 NAME	材料 MATERIAL
①	ハウジング HOUSING	耐熱樹脂 HEAT RESISTANCE POLYMER
②	ターミナル TERMINAL	銅合金、接点部：金めっき 半田付部：錫めっき 下地：ニッケルめっき COPPER ALLOY, CONTACT AREA:GOLD TAIL AREA : TIN UNDER PLATING : NICKEL
③	メタルシェル METAL SHELL	銅合金 COPPER ALLOY
④	カムライダー CAM SLIDER	耐熱樹脂 HEAT RESISTANCE POLYMER
⑤	ディテクト スイッチ DETECT SWITCH	銅合金、接点部：金めっき 半田付部：金めっき 下地：ニッケルめっき COPPER ALLOY, CONTACT AREA:GOLD TAIL AREA : GOLD UNDER PLATING : NICKEL
⑥	ライトプロテクト スイッチ WRITE PROTECT SWITCH	銅合金、接点部：金めっき 半田付部：錫めっき 下地：ニッケルめっき COPPER ALLOY, CONTACT AREA:GOLD TAIL AREA : TIN UNDER PLATING : NICKEL
⑦	スプリング SPRING	ピアノ線 SWP
⑧	カムピン CAM PIN	ステンレス鋼 STAINLESS STEEL

部品搭載禁止エリア
PROHIBITED AREA

パターン禁止エリア
PATTERN PROHIBITION AREA
注：コネクタ投影面上の半田付けは禁止

RECOMMENDED
PCB PATTERN LAYOUT
(GENERAL TOLERANCE : ±0.05)

NOTES

- ターミナル及びネイルの平坦度は0.1MAX.とする。
COPLANARITY OF TERMINAL AND NAIL IS TO BE 0.1MAX.
- ロット印字は任意とする
LOT NUMBERING IS TO BE OPTIONAL.
- 肉抜き位置は任意とする。
CAVITY IS TO BE OPTIONAL.
- 本製品の側面にはカード挿抜時に一部金属が突出する箇所があります。該当箇所は部品搭載禁止エリアとなりますので、ご注意ください。
There are the places that the part of metal stands out at the side of the connector when the card insertion .The area is prohibited to place the other parts.
- ELV及びRoHS適合品
ELV AND RoHS COMPLIANT.

Lot No. : 7 09 01 A

西暦 (1桁目) 月 ラインNo.
THE YEAR OF GRACE MONTH LINE No.
7 : 2017年 08 : 9月 10 : 10月 07 : 07日

6. 各スイッチのオープン/クローズ
OPENING/CLOSE OF EACH SWITCH

	プロテクトターミナル PROTECT TERMINAL		ディテクトターミナル DETECT TERMINAL
	カード書き込み 禁止状態 WRITE PROTECT POSITION	カード書き込み 可能状態 WRITE ENABLE POSITION	
カード未装着状態 CARD UNINSERTION	オープン OPEN	オープン OPEN	オープン OPEN
カード装着 AFTER CARD INSERTION	オープン OPEN	クローズ CLOSE	クローズ CLOSE

THIS DRAWING CONTAINS INFORMATION THAT IS PROPRIETARY TO MOLEX ELECTRONIC TECHNOLOGIES, LLC AND SHOULD NOT BE USED WITHOUT WRITTEN PERMISSION

EC NO. 120830 DRWN: YHONDA01 CHK'D: KTANAKA03 APPR: RTAKEUCHI	GENERAL TOLERANCES (UNLESS SPECIFIED)	DIMENSION UNITS	SCALE				
	ANGULAR TOL ± 1.0 °	mm	2:1				
4 PLACES ± 0.2	DRWN BY	DATE	SD CARD CONN. PUSH/PUSH NORMAL ASSY				
3 PLACES ± 0.2	YHONDA01	2017/08/07					
2 PLACES ± 0.2	CHK'D BY	DATE	PRODUCT CUSTOMER DRAWING				
1 PLACE ± 0.2	KTANAKA03	2017/08/21					
0 PLACES ± 0.2	APPR BY	DATE	SERIES	MATERIAL NUMBER	CUSTOMER		
DRAFT WHERE APPLICABLE MUST REMAIN WITHIN DIMENSIONS	RTAKEUCHI	2017/08/21	503500	SEE CHART IN SHEET1	GENERAL		
A3	DRAWING SIZE		THIRD ANGLE PROJECTION	DOCUMENT NUMBER	DOC TYPE	DOC PART	SHEET NUMBER
				5035001000	PSD	010	2 OF 2

单击下面可查看定价，库存，交付和生命周期等信息

[>>MOLEX](#)