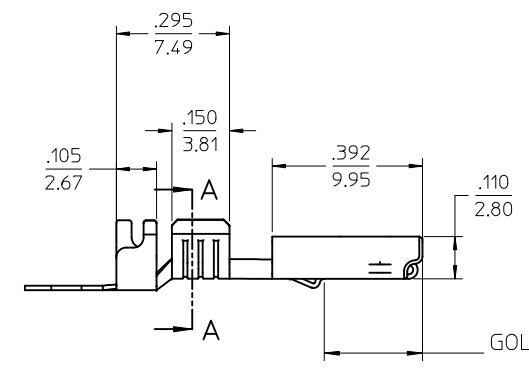
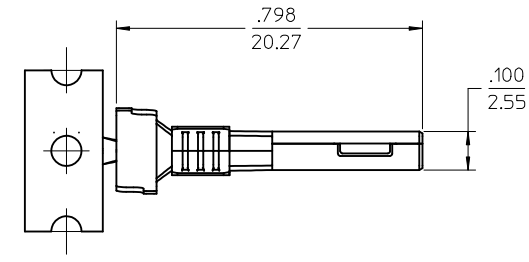
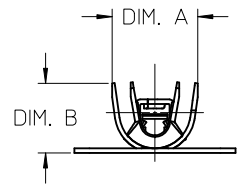
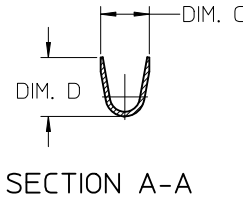
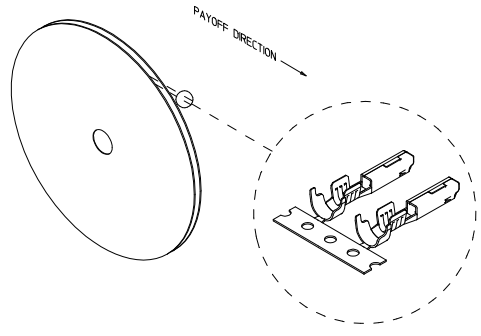
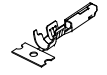
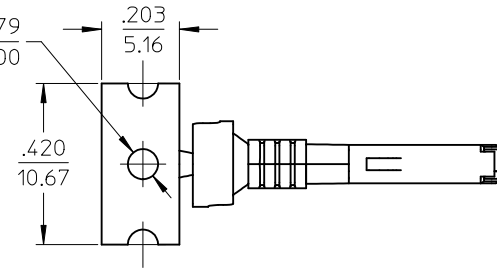


STRIP MATERIAL NUMBER	LOOSE PIECE MATERIAL NUMBER	AWG SIZE	FINISH	DIM. "A"	DIM. "B"	DIM. "C"	DIM. "D"
194200001	194200009	16-14	PREPLATED TIN 75µ MIN THICK OVER NICKEL FLASH	.235/5.97	.182/4.62	.141/3.58	.155/3.94
194200002	194200010	22-18		.179/4.55	.143/3.63	.114/2.89	.106/2.70
194200003	194200011	16-14	SELECT HARD GOLD 30µ MIN. THICK WITH SELECT TIN 100µ MIN. OVER NICKEL 50µ MIN. OVERALL	.235/5.97	.182/4.62	.141/3.58	.155/3.94
194200004	194200012	22-18		.179/4.55	.143/3.63	.114/2.89	.106/2.70

Ⓢ  
Ⓢ



GOLD PLATING AREA INSIDE BOX



- NOTES:
1. MATERIAL: COPPER ALLOY .0098/0.249 THK.
  2. FINISH: SEE CHART.
  3. TERMINALS FOR USE WITH 19418-\*\*\*\* RECEPTACLE HOUSING ASSEMBLY.
  4. STRIP TERMINALS ARE REELED AS SHOWN ABOVE ON 24" REELS, 4000 PARTS PER REEL.
  5. LOOSE TERMINALS ARE BULK PACKAGED IN QUANTITIES OF 400.
  6. APPLICATION TOOLING AND CRIMP SPECIFICATIONS: 63865-6200 (14-16 AWG), 63865-6300 (14-16 AWG), 63811-4000 (HAND TOOL).

CORRECT DIM "C" EC NO: WNA2012-0240 DRAWN/CHKD: DRW:WLEUNG 2011/11/03 APPR:DTTJUS 2011/11/18	QUALITY SYMBOLS	GENERAL TOLERANCES (UNLESS SPECIFIED)	DIMENSION STYLE	SCALE	DESIGN UNITS	THIRD ANGLE PROJECTION
	▽=0	mm INCH	IN/MM	4:1	INCH	
	▽=0	4 PLACES ± --- ± ---	DRAWN BY DATE	TITLE		
		3 PLACES ± --- ± .010	JPAWLICK 05/05/03	FEMALE RECEPTACLE TERMINAL, 22-18 & 16-14 AWG, .059/1.50X.031/0.79		
	2 PLACES ± 0.25 ± .02	CHECKED BY DATE	MOLEX INCORPORATED			
	1 PLACE ± 0.5 ± ---	JPAWLICK 05/05/03	SD-19420-001			
	ANGULAR ± 3°	APPROVED BY DATE	SHEET NO. 1 OF 1			
		RDEROSS 05/05/03	THIS DRAWING CONTAINS INFORMATION THAT IS PROPRIETARY TO MOLEX INCORPORATED AND SHOULD NOT BE USED WITHOUT WRITTEN PERMISSION			
		MATERIAL NO.	DOCUMENT NO.			
		SEE CHART				

单击下面可查看定价，库存，交付和生命周期等信息

[>>MOLEX](#)