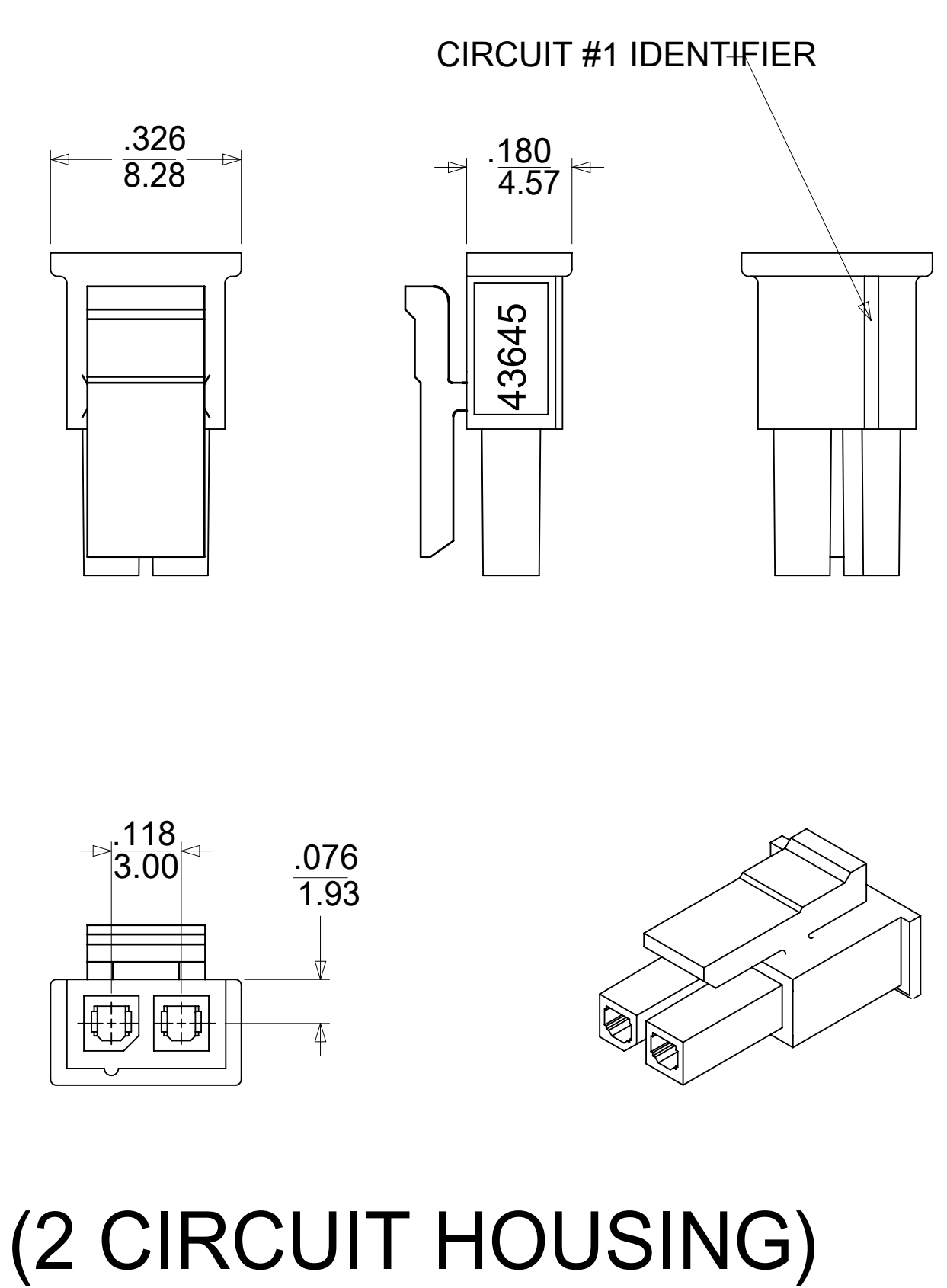
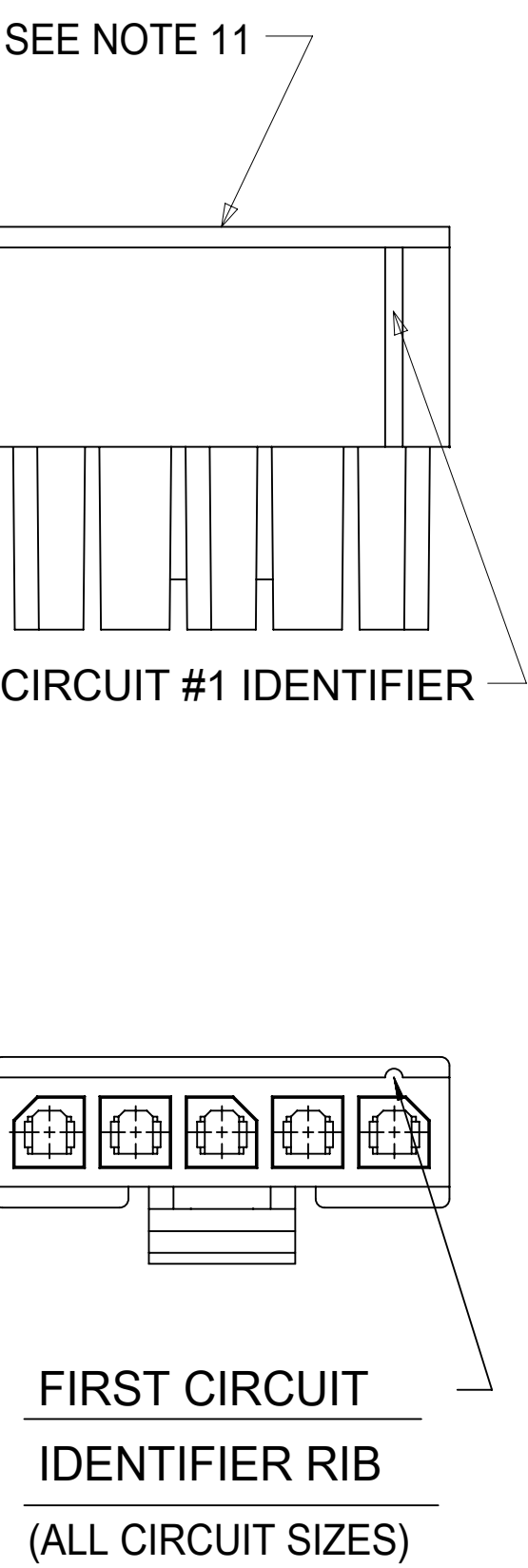
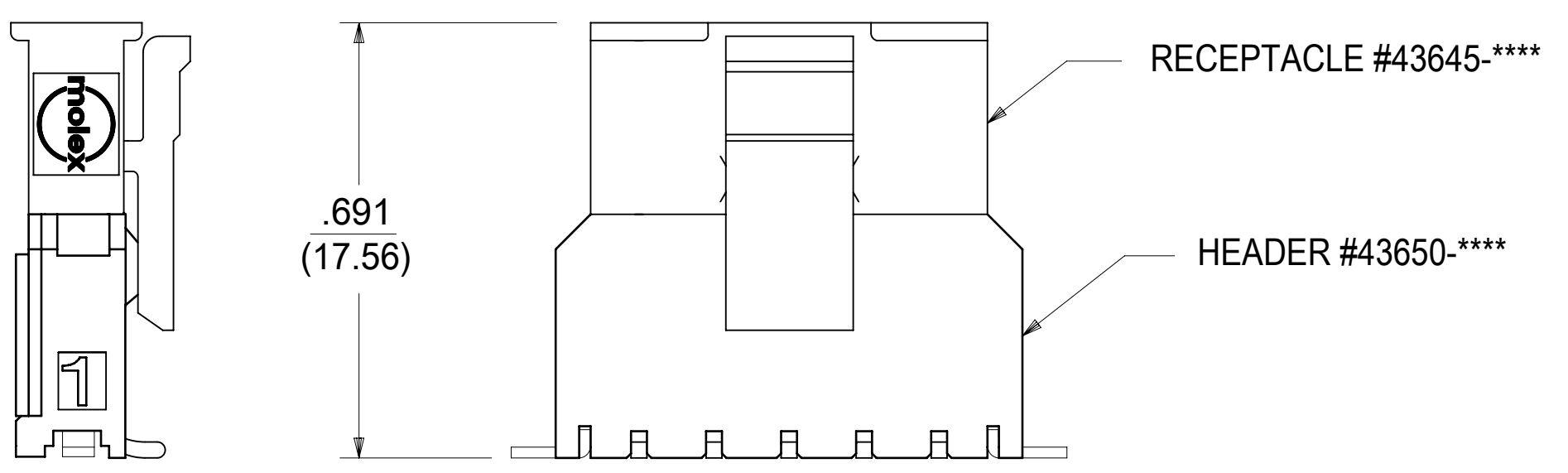


(3-12 CIRCUIT HOUSING)

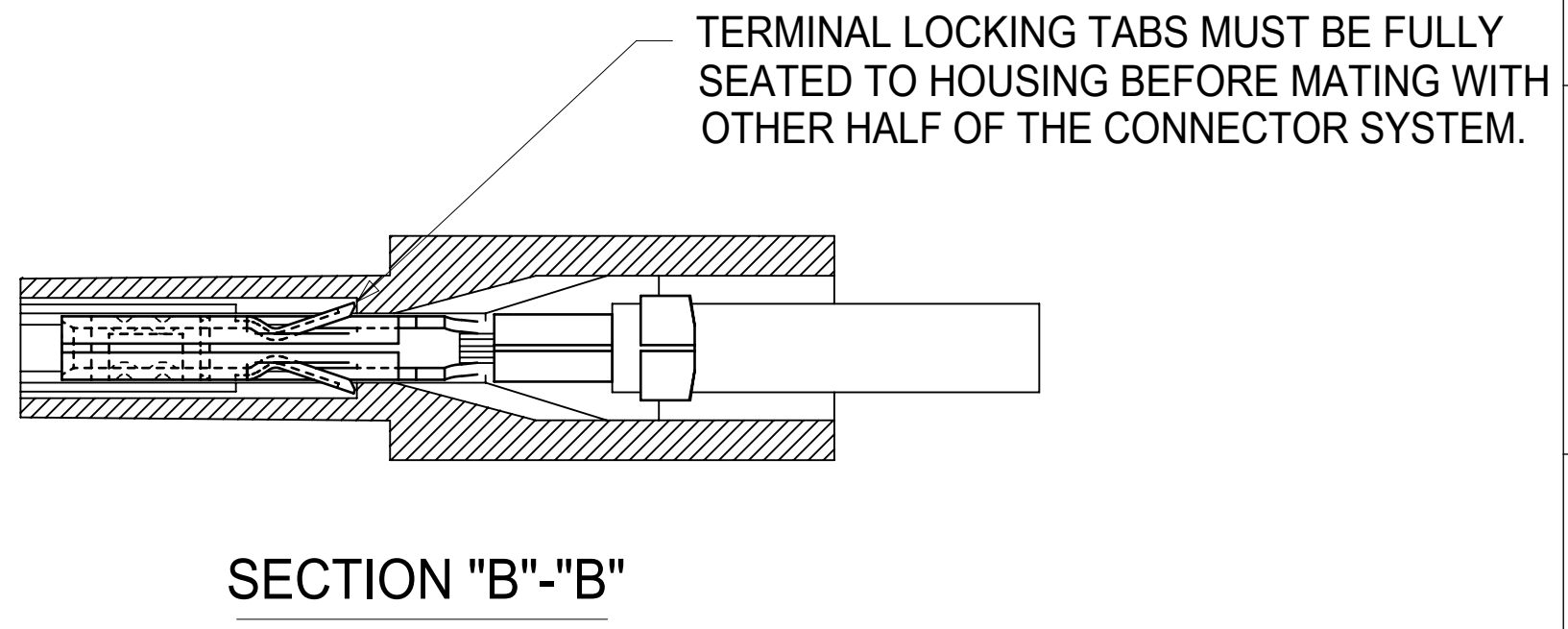
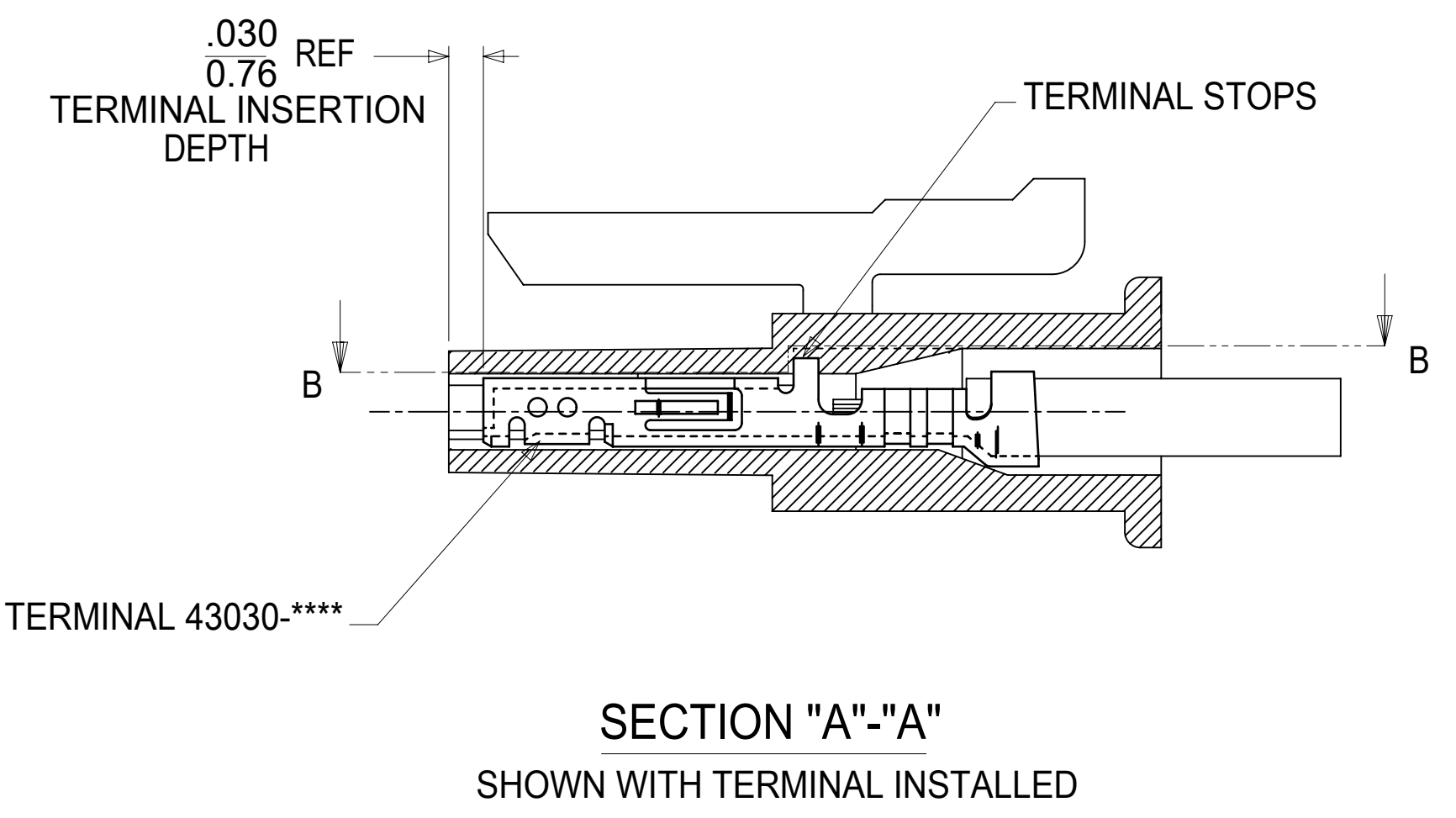


(2 CIRCUIT HOUSING)

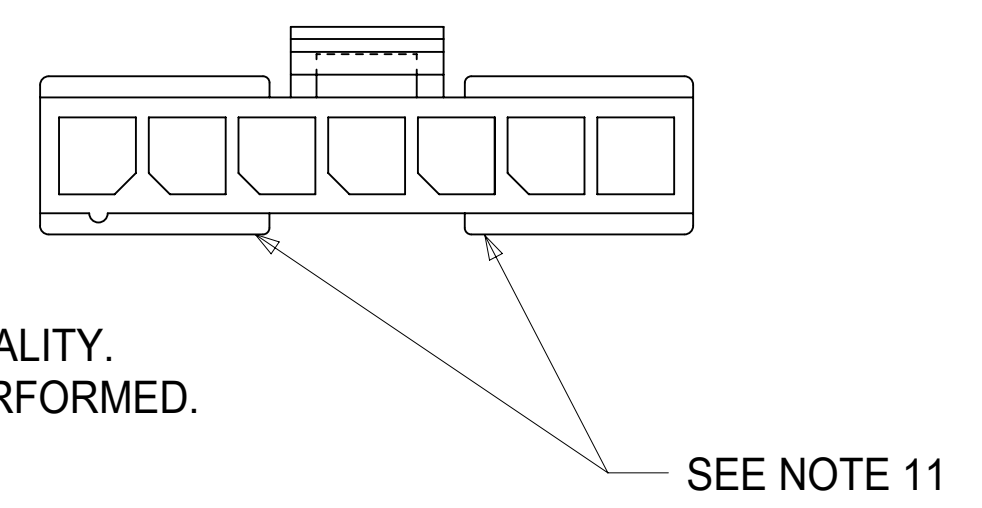
ITEM NUMBER	NUMBER OF CIRCUIT	DIM. "A"	DIM. "B"	MATERIAL
43645-0200	02	SEE DETAIL	.118/(3.00)	"B"
43645-0300	03	.388/(9.85)	.236/(6.00)	SEE NOTE 14
43645-0400	04	.506/(12.85)	.354/(9.00)	"A"
43645-0500	05	.624/(15.85)	.472/(12.00)	
43645-0600	06	.742/(18.85)	.591/(15.00)	
43645-0700	07	.860/(21.85)	.709/(18.00)	
43645-0800	08	.978/(24.85)	.827/(21.00)	
43645-0900	09	1.096/(27.85)	.945/(24.00)	
43645-1000	10	1.215/(30.85)	1.063/(27.00)	
43645-1100	11	1.333/(33.85)	1.181/(30.00)	
43645-1200	12	1.451/(36.85)	1.299/(33.00)	



MATED MICRO-FIT CONNECTOR



- NOTES:**
- HOUSING MATERIAL:
 "A" - UNFILLED POLYESTER, RATED U.L. 94V-0, COLOR IS BLACK.
 "B" - UNFILLED NYLON, RATED U.L. 94V-0, HALOGEN-FREE, COLOR IS BLACK.
 - FINISH : N/A
 - PRODUCT SPECIFICATION : PS-43650
 - PACKAGING SPECIFICATION: PK-43645-001
 - THIS RECEPTACLE ACCEPTS MOLEX MICRO FIT FEMALE CRIMP TERMINALS SERIES 43030 OR 46235,
 - SEE SECTION "A"-A" FOR TERMINAL ORIENTATION IN HOUSING.
 - FOR OVERMOLDING PARAMETERS SEE APPLICATION SPECIFICATION 430250000-AS.
 - THIS RECEPTACLE MATES WITH MOLEX PCB HEADER 43650 SERIES AND MOLEX PLUG 43640 SERIES (WIRE TO WIRE APPLICATIONS).
 - SOME HOUSINGS MAY HAVE A SMALL GATE BLEMISH NEAR THE GATE LOCATION THAT DOES NOT AFFECT FUNCTIONALITY.
 - MOLEX RECOMMENDS THE USE OF MICRO-FIT TEST PLUG, SERIES 44242-**** WHENEVER CONTINUITY TESTING IS PERFORMED. TEST PLUGS MUST NOT BE USED TO MAKE OR BREAK UNDER LOAD. MOLEX DOES NOT RECOMMEND USING STANDARD MATING COMPONENTS FOR HARNESS TESTING PURPOSES.
 - THIS RIB IS DISCONTINUOUS ON CIRCUIT SIZES 7 THROUGH 12
 - PART CONFORMS TO CLASS 'B' REQUIREMENTS OF COSMETIC SPECIFICATION PS-45499-002.
 - TEXT ON PART IS FOR REFERENCE ONLY. TEXT AND TEXT LOCATION MAY VARY DEPENDING ON PART NUMBER AND/OR TOOL.
 - PARTS MADE FROM MATERIAL "B" ARE CONSTRUCTED TO MEET THE REQUIREMENT FOR DIRECT SUPPORT OF UNINSULATED LIVE PARTS AS DESCRIBED IN UL61800-5-1.



FUNCTIONAL SYMBOLS FA = 0 FC = 0 FP = 0	THIS DRAWING CONTAINS INFORMATION THAT IS PROPRIETARY TO MOLEX ELECTRONIC TECHNOLOGIES, LLC AND SHOULD NOT BE USED WITHOUT WRITTEN PERMISSION		CURRENT REV DESC: ADD NOTE 14			
	DIMENSION UNITS	SCALE	<p>molex</p> <p>MICRO-FIT (3.0) RECEPTACLE, SINGLE ROW 2 THRU 12 CIRCUIT</p> <p>PRODUCT CUSTOMER DRAWING</p>			
	INCH/MM	4:1				
	GENERAL TOLERANCES (UNLESS SPECIFIED)					
	MM	INCH				
DIVISIONAL SYMBOLS	4 PLACES ±	±	EC NO: 724017			
	3 PLACES ±	± 0.01	DRWN: RICARC13 2022/09/14			
	2 PLACES ±	± 0.014	CHK'D: FSMITH 2022/10/17			
	1 PLACE ±	± 0.35	APPR: FSMITH 2022/10/17			
	0 PLACES ±	±	INITIAL REVISION:			
	ANGULAR TOL	± 0.5 °	DRWN: A.F.G 1995/11/15			
	DRAFT WHERE APPLICABLE MUST REMAIN WITHIN DIMENSIONS		APPR: R.J.F 1995/11/15			
THIRD ANGLE PROJECTION		DRAWING	SERIES	MATERIAL NUMBER	CUSTOMER	SHEET NUMBER
D		D-SIZE	43645	SEE CHART	GENERAL MARKET	1 OF 1

THIS DRAWING REPLACES DRAWING SDA-43645-++++.

单击下面可查看定价，库存，交付和生命周期等信息

[>>MOLEX](#)