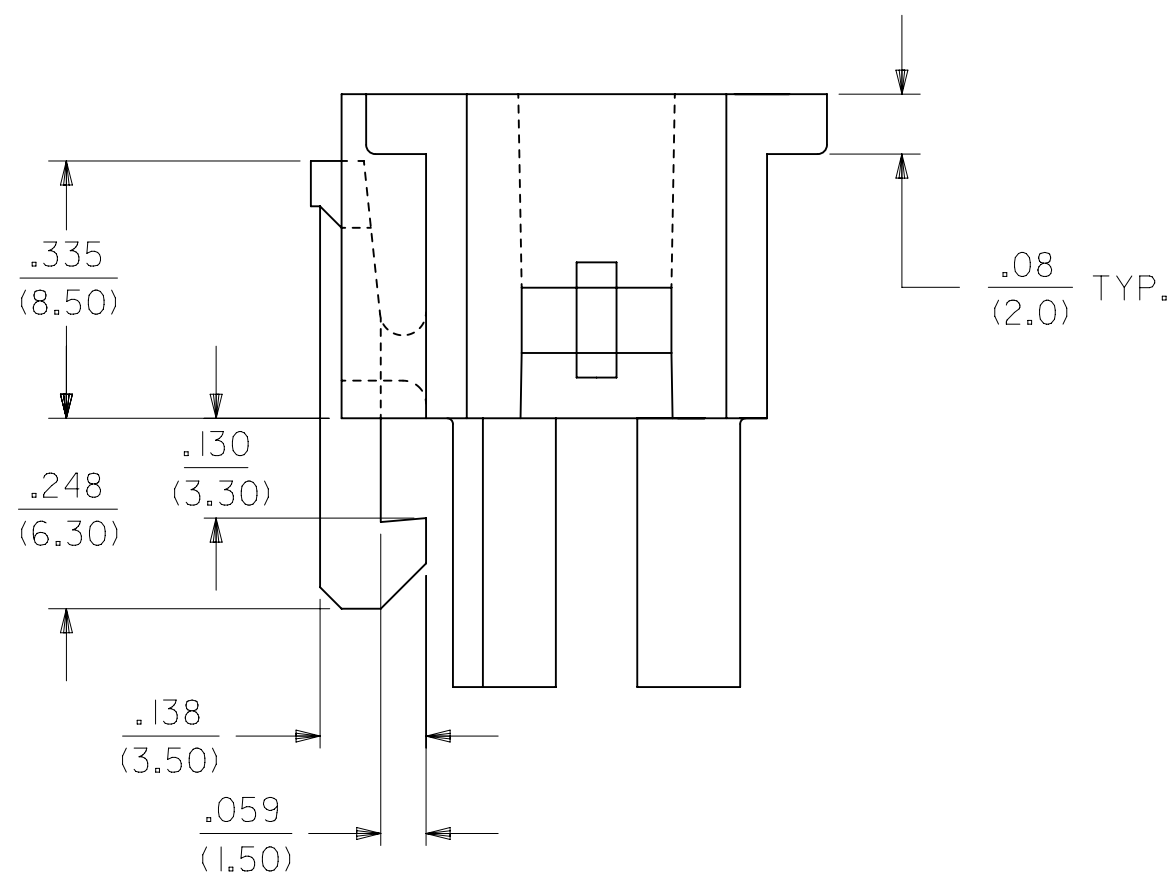
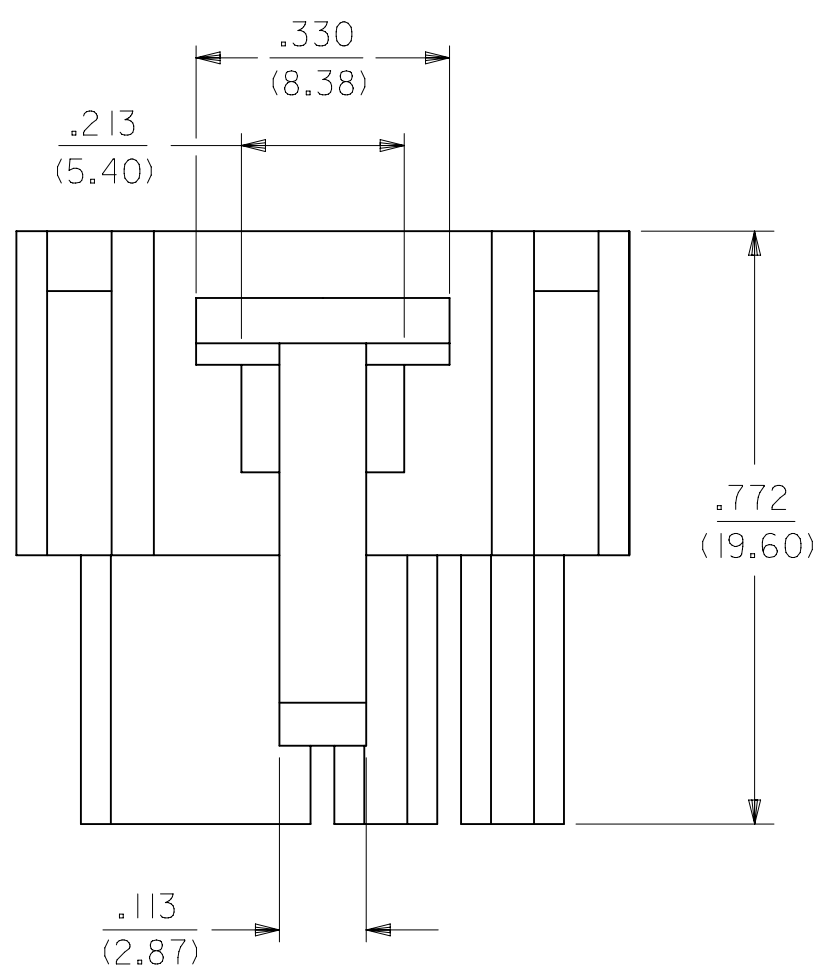
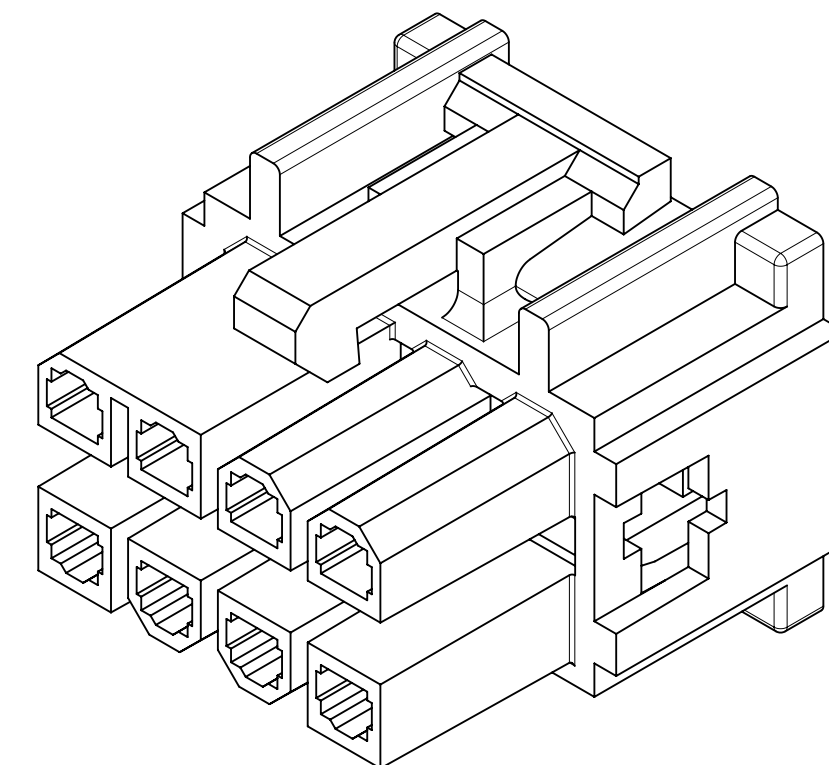
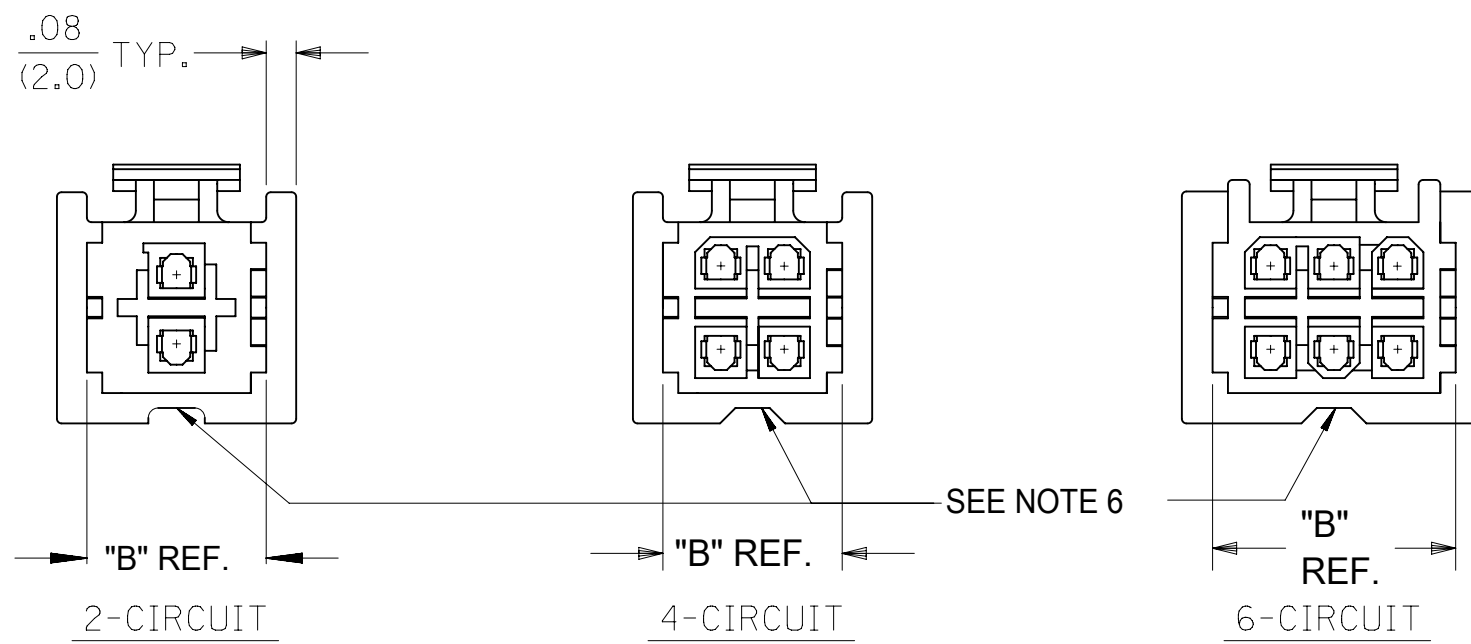
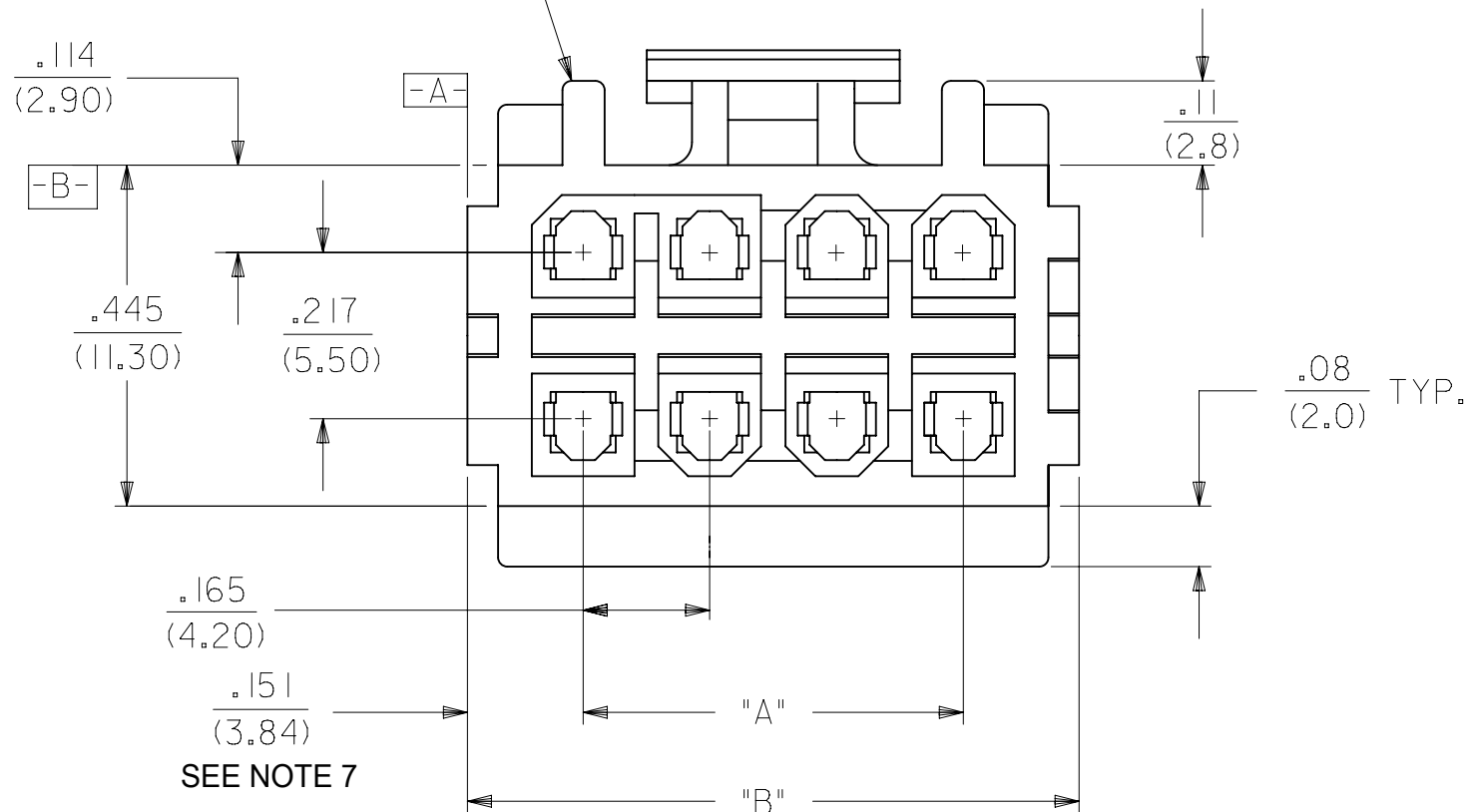


PROTECTIVE SIDES AVAILABLE ON ALL CIRCUITS EXCEPT TWO AND FOUR CIRCUITS.



PROTECTIVE SIDES AVAILABLE ON ALL CIRCUITS EXCEPT TWO AND FOUR CIRCUITS.



NOTES:

1. MATERIAL: UNFILLED POLYESTER, U.L. 94V-0. HOUSING COLOR: SEE CHART.
2. FINISH: N/A.
3. PRODUCT SPECIFICATION: PS-5556-003.
4. PACKAGING SPECIFICATION: PK-30067-001.
5. HOUSING TO BE USED WITH TERMINAL #5556, AND T.P.A. LOCK #30072-*. RECEPTACLE HOUSING TO MATE WITH PLUG HOUSING #30068, ST. HEADER #30069, AND RT. ANGLE HEADERS #30070 & #44483. HOUSING ACCEPTS CONNECTOR POSITIONING ASSURANCE (C.P.A.) LOCK #30071.
6. RELIEF NOTCH IS OPTIONAL AND MAY OR MAY NOT APPEAR ON 2, 4, 6, 10 & 12 CIRCUIT HOUSINGS ONLY.
7. FOR 2 CKT HOUSING, DIMENSION IS .231/5.88.
8. FOR 2 CKT HOUSINGS, DIMENSION IS .069/1.74.
9. THIS PART CONFORMS TO CLASS B REQUIREMENTS OF COSMETIC SPEC PS-45499-002.
10. TEXT ON PART IS FOR REFERENCE ONLY. TEXT AND TEXT LOCATION MAY VARY DEPENDING ON PART NUMBER AND/OR TOOL.
11. BUBBLE IS ACCEPTABLE ON LATCH AREA.

THIS DRAWING CONTAINS INFORMATION THAT IS PROPRIETARY TO MOLEX ELECTRONIC TECHNOLOGIES, LLC AND SHOULD NOT BE USED WITHOUT WRITTEN PERMISSION											
DIMENSION UNITS		SCALE		CURRENT REV DESC:							
INCH		NTS									
GENERAL TOLERANCES (UNLESS SPECIFIED)				EC NO: 725052		2022/10/18		2-16 CKT. RECPT. HSG. MINI-FIT T.P.A. SERIES			
				DRWN: JERRYW8		2022/10/21					
4 PLACES ±				CHK'D: XQZHANG		2022/10/21		PRODUCT CUSTOMER DRAWING			
3 PLACES ±				APPR: XQZHANG		2022/10/21					
2 PLACES ± 0.25 ± 0.014				INITIAL REVISION:				DOCUMENT NUMBER		DOC TYPE DOC PART REVISION	
1 PLACE ± 0.36 ±				DRWN: RJF		1991/09/23		SD-30067-X		PSD 001 J1	
0 PLACES ±				APPR: FSMITH		2010/10/25		MATERIAL NUMBER		CUSTOMER	
ANGULAR TOL ± 0.5 °				THIRD ANGLE PROJECTION		DRAWING		SERIES		SHEET NUMBER	
DRAFT WHERE APPLICABLE MUST REMAIN WITHIN DIMENSIONS				C-SIZE		30067		SEE TABLE		GENERAL MARKET 1 OF 2	

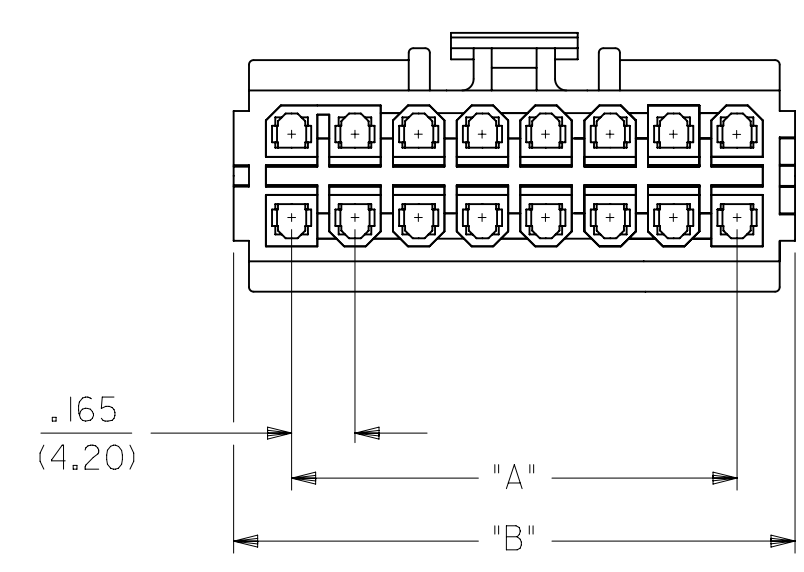
CKT. SIZE	BLACK		NATURAL		DIM. "A"	DIM. "B"
	ENG. NO.	EDP. NO.	ENG. NO.	EDP. NO.		
02	30067-02A2	15-97-5021			—	.467 (11.86)
04	30067-04A2	15-97-5041	30067-0412	30067-0412	.165 (4.20)	.467 (11.86)
06	30067-06A2	15-97-5061			.331 (8.40)	.633 (16.08)
08	30067-08A2	15-97-5081			.496 (12.60)	.798 (20.27)
10	30067-10A2	15-97-5101			.661 (16.80)	.963 (24.46)
12	30067-12A2	15-97-5121			.827 (21.00)	1.129 (28.68)
14	30067-14A2	NOT TOOLED			.992 (25.20)	1.294 (32.87)
16	30067-16A2	15-97-5161			1.157 (29.40)	1.459 (37.06)

LEGEND:

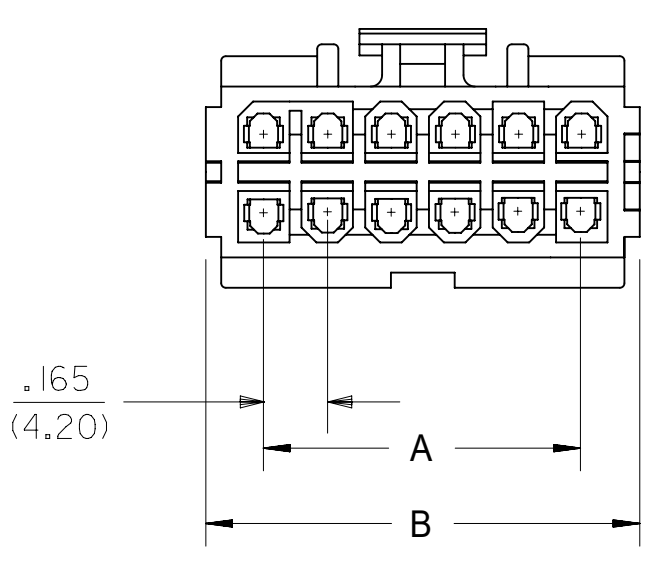
30067 - * * * 2

CIRCUIT SIZE (02-16)

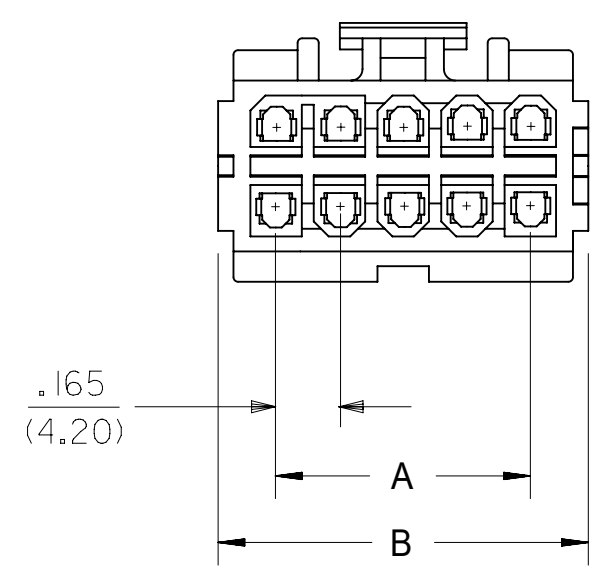
HOUSING COLOR
A = BLACK
1 = NATURAL



16 CIRCUITS



12 CKT.



10 CKT.

THIS DRAWING CONTAINS INFORMATION THAT IS PROPRIETARY TO MOLEX ELECTRONIC TECHNOLOGIES, LLC AND SHOULD NOT BE USED WITHOUT WRITTEN PERMISSION									
DIMENSION UNITS		SCALE		CURRENT REV DESC:				molex	
INCH		NTS							
GENERAL TOLERANCES (UNLESS SPECIFIED)				EC NO: 725052				2-16 CKT. RECPT. HSG. MINI-FIT T.P.A. SERIES	
		MM	INCH	DRWN: JERRYW8 2022/10/18					
4 PLACES		±	±	CHK'D: XQZHANG 2022/10/21				PRODUCT CUSTOMER DRAWING	
3 PLACES		±	± 0.01	APPR: XQZHANG 2022/10/21					
2 PLACES		± 0.25	± 0.014	INITIAL REVISION:				DOCUMENT NUMBER	
1 PLACE		± 0.36	±	DRWN: RJF 1991/09/23				SD-30067-X	
0 PLACES		±	±	APPR: FSMITH 2010/10/25				DOC TYPE DOC PART REVISION	
ANGULAR TOL		± 0.5 °		THIRD ANGLE PROJECTION		DRAWING		SHEET NUMBER	
DRAFT WHERE APPLICABLE MUST REMAIN WITHIN DIMENSIONS				C-SIZE		SERIES		MATERIAL NUMBER CUSTOMER	
						30067		SEE TABLE GENERAL MARKET	

单击下面可查看定价，库存，交付和生命周期等信息

[>>MOLEX](#)