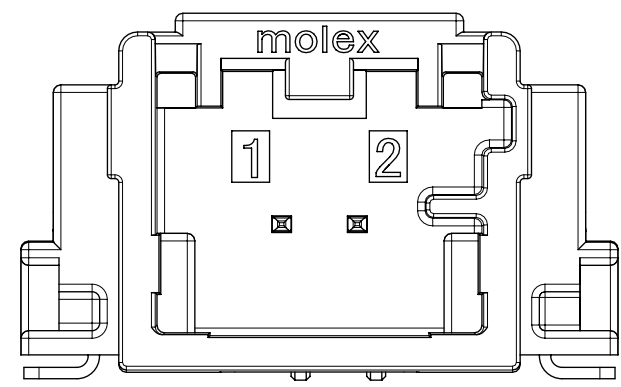
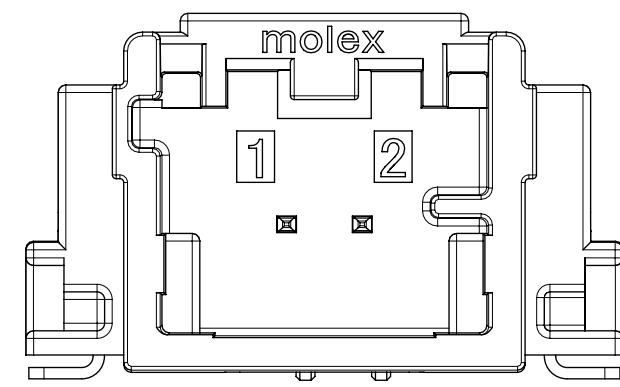


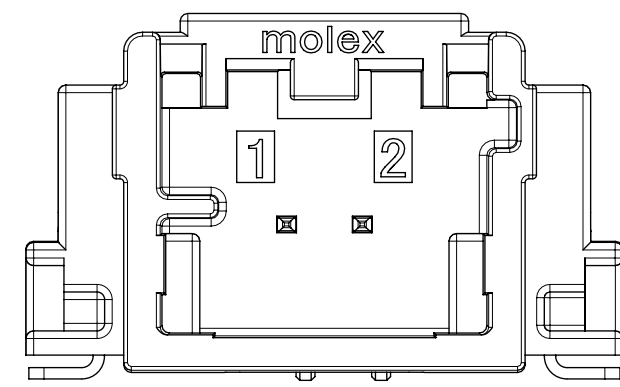
2 CKT SMT HEADER
POLARIZATION OPTION A



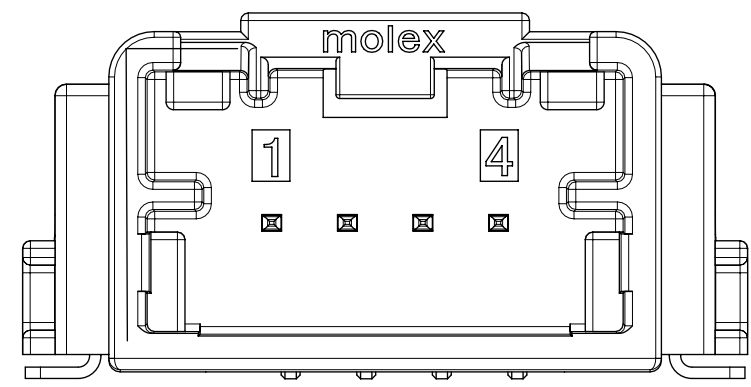
2 CKT SMT HEADER
POLARIZATION OPTION B



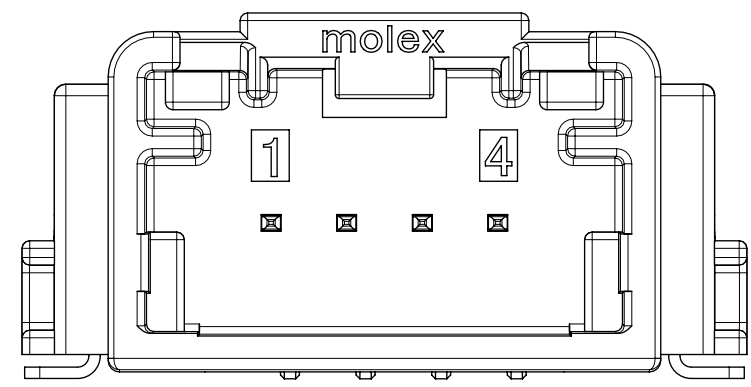
2 CKT SMT HEADER
POLARIZATION OPTION C



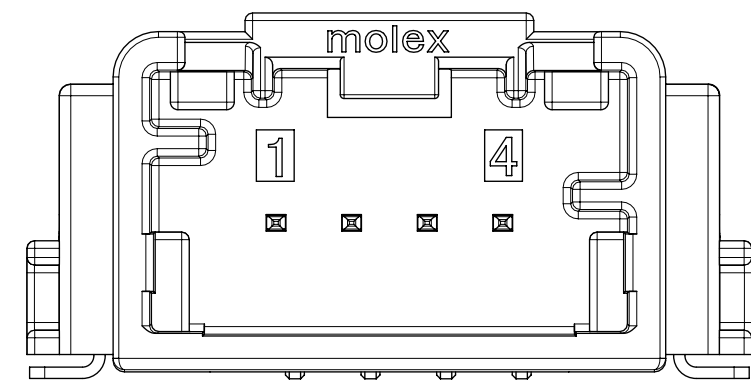
2 CKT SMT HEADER
POLARIZATION OPTION D



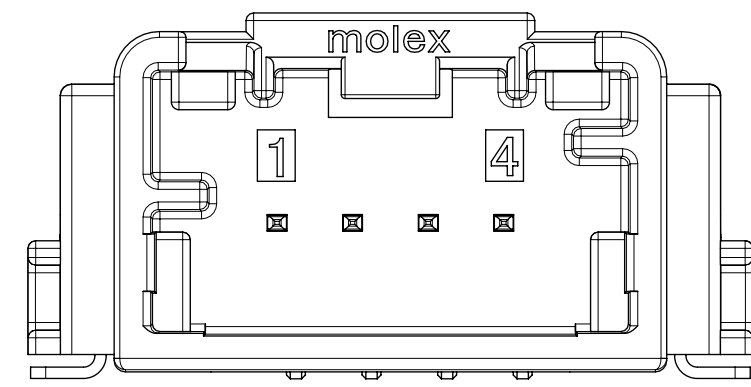
4 CKT SMT HEADER
POLARIZATION OPTION A



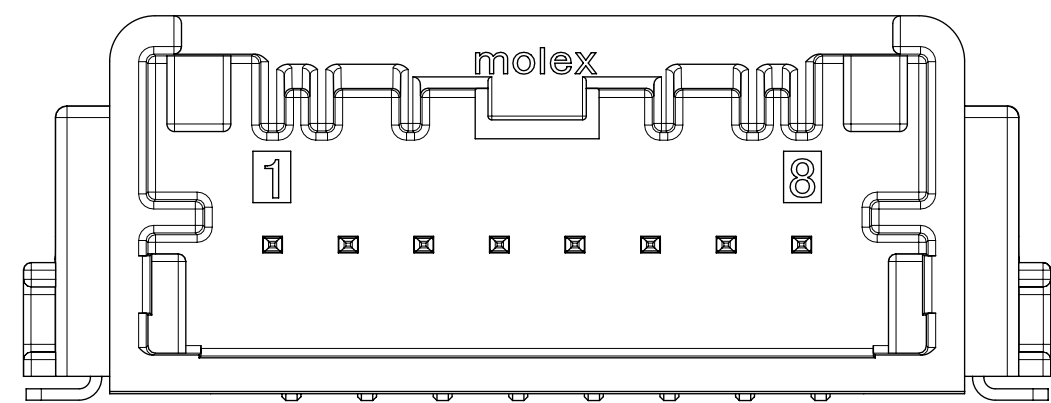
4 CKT SMT HEADER
POLARIZATION OPTION B



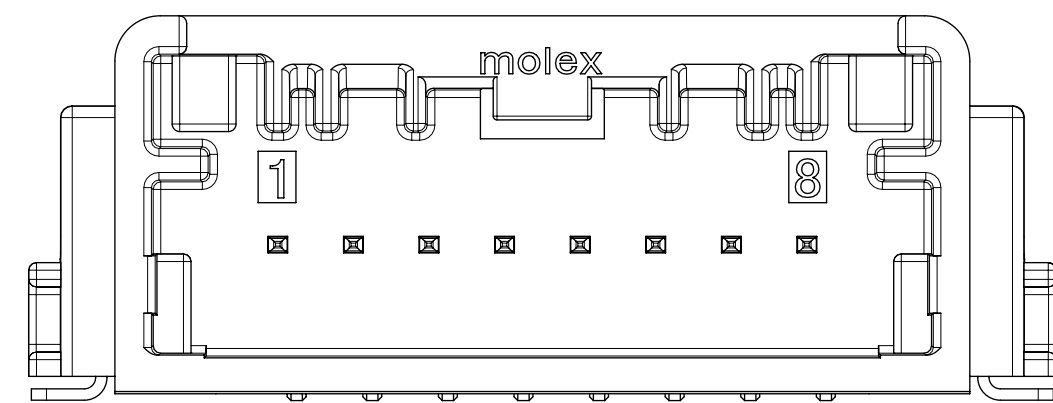
4 CKT SMT HEADER
POLARIZATION OPTION C



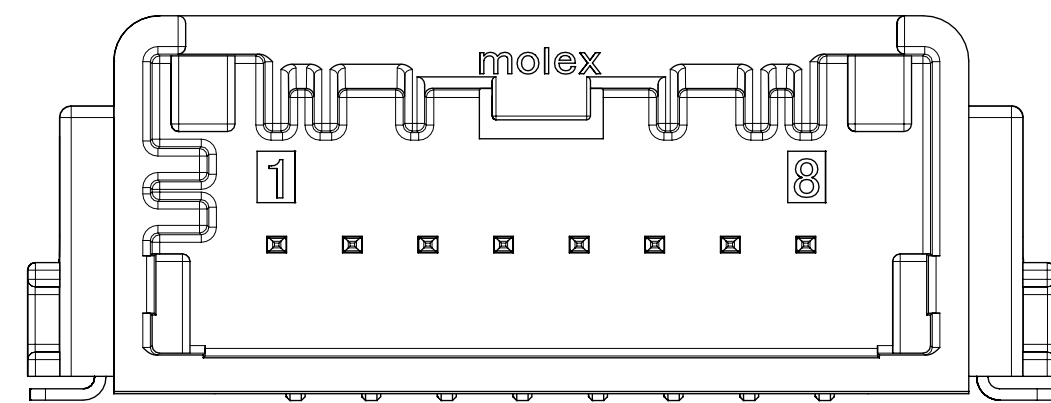
4 CKT SMT HEADER
POLARIZATION OPTION D



8 CKT SMT HEADER
POLARIZATION OPTION A



8 CKT SMT HEADER
POLARIZATION OPTION B



8 CKT SMT HEADER
POLARIZATION OPTION C

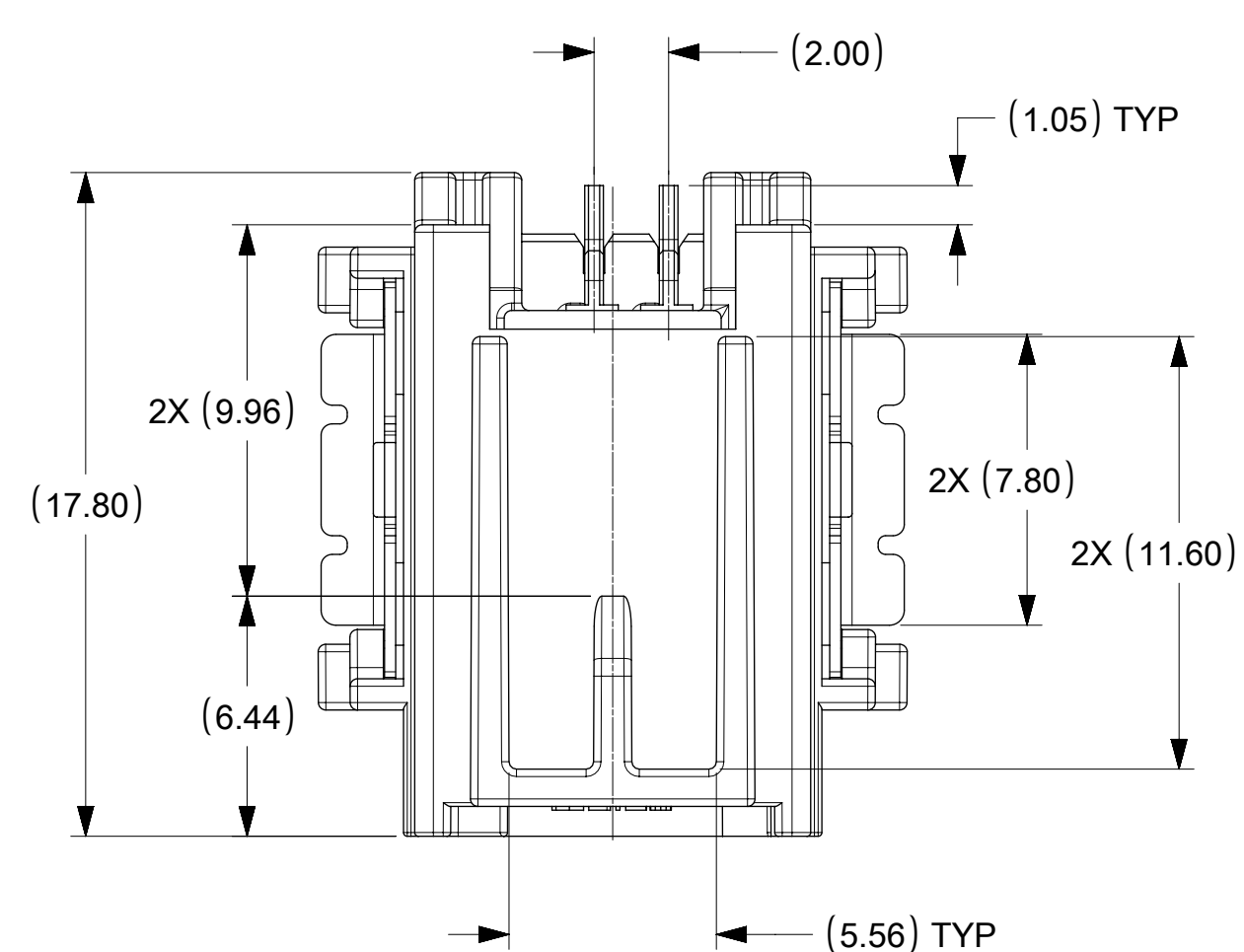
NOTES: VALID UNLESS OTHERWISE SPECIFIED

1. GENERAL:
 - a. APPLICATION SPECIFICATION SEE: AS-34791-020
 - b. PRODUCT SPECIFICATION SEE: PS-34791-020
 - c. PACKAGING SPECIFICATION PER MOLEX DRAWING: SEE CHART
 - d. SOLDERABILITY PER SMES-152
 - e. PARTS MUST BE IN COMPLIANCE TO MOLEX CHEMICAL SUBSTANCES FOR PRODUCTS AND PACKAGING SPECIFICATION: QEHS-699000-300
 - f. DATA MUST BE SUBMITTED UNDER THE MOLEX PART NUMBER TO IMDS (COMPANY ID# 13255)
 - g. FLAMMABILITY REQUIREMENT: PER ISO3795 OR GM3191
 - h. VISUAL DEFECTS SHALL MEET COSMETIC STANDARD PS-45499-002 (Class B)
2. DESIGN - MATERIALS:
 - a. SHROUD (PLASTIC HOUSING): SPS 30% GF, 25% REGRIND MAX BY WEIGHT
 - b. BLADES:
 - BASE METAL: C260 BRASS
 - PLATING REQUIREMENTS:
 - TIN OVER NICKEL:
 - UNDERPLATING: OVERALL NICKEL
 - OVERPLATING: OVERALL TIN
 - GOLD:
 - UNDERPLATING: OVERALL NICKEL
 - OVERPLATING: CONTACT AREA: GOLD
 - GRIP AREA: TIN
3. DESIGN - GEOMETRY:
 - a. THIS IS A 100% CAD GENERATED PART. THE CAD MATHEMATICAL DATA IS THE MASTER FOR THIS PART. FOR DIMENSIONAL OR ANY INFORMATION NOT SHOWN ON THIS DRAWING, ANALYZE THE CAD MODEL.
 - b. GEOMETRIC DIMENSIONS AND TOLERANCES PER ASME Y14.5M - 2009
 - c. GENERAL TOLERANCES: SEE TITLE BLOCK
 - d. EDGES AND UNDIMENSIONED DETAILS PER ISO13715
 - e. CORNERS SHOWN AS SHARP TO BE R 0.1 MAX
 - f. LETTERING SHALL BE BELOW SURROUNDING SURFACE OF PART. THIS INCLUDES RECYCLING CODE, PLANT AND CAVITY ID, VENDOR ID, AND CIRCUIT ID.
 - g. TRACEABILITY TO BE MARKED IN AREA SHOWN. MARK IS CODED AS FOLLOWS:
 - ROW 1 (XXXX): MOLEX SINGLE ROW SMT HEADER SERIES NUMBER (34912)
 - ROW 2 (HHDDYY):
 - 1ST & 2ND DIGITS: HOUR OF ASSEMBLY (24 HOUR CLOCK) (EXAMPLE: 15:00 > '15'; 7:00 -> '07')
 - 3RD THRU 5TH DIGITS: JULIAN DATE (EXAMPLE: FEBRUARY 3RD -> '034')
 - 6TH & 7TH DIGITS: LAST 2 DIGITS OF CALENDAR YEAR (EXAMPLE: 2013 -> '13')

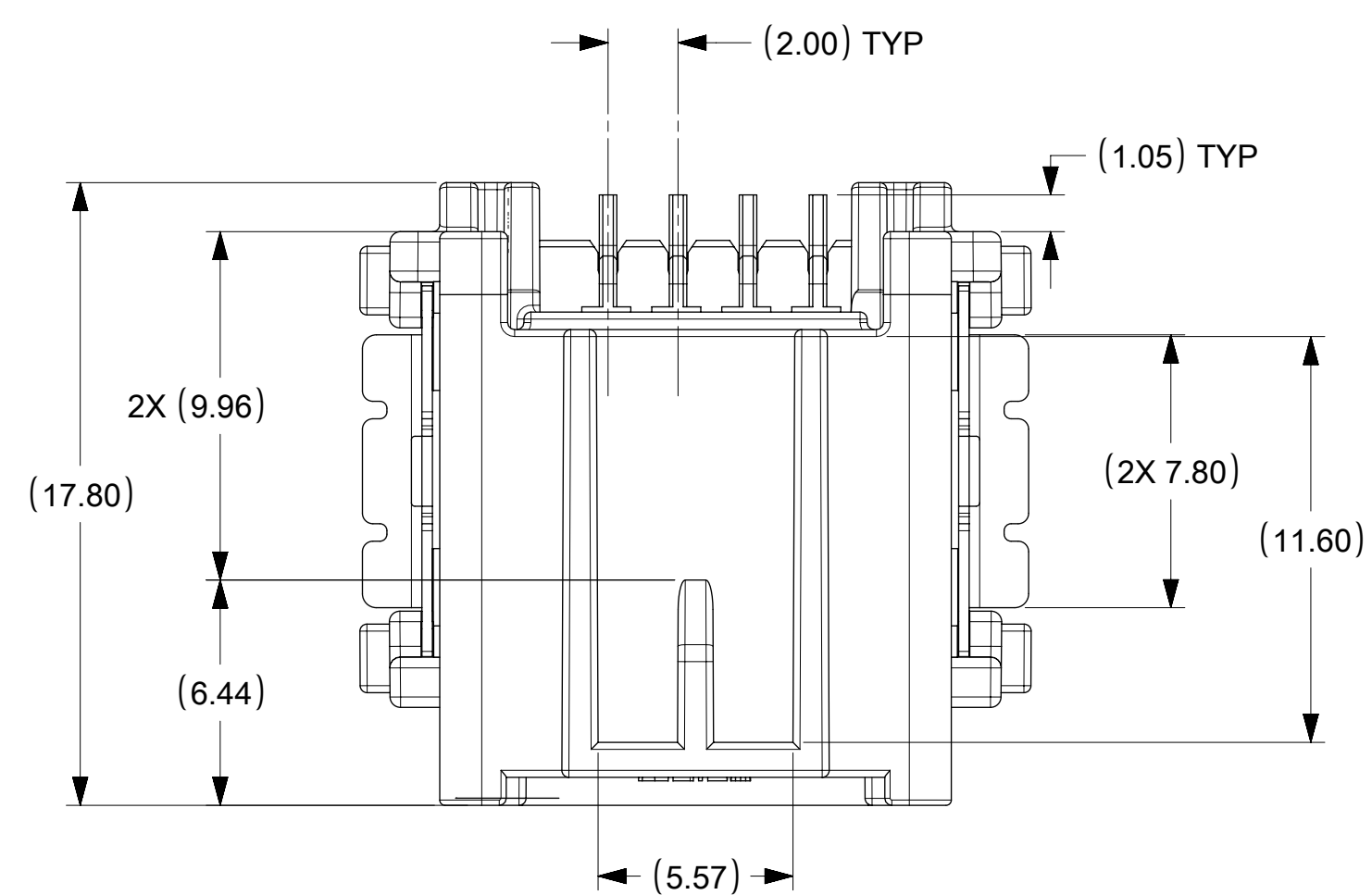
INSPECTION BALLOON NUMBER LOG		REV	DESCRIPTION
PER DRAWING REVISION: M6	M6	ADDED	2CKT GOLD TUBE P/N; UPDATED 2CKT & 8CKT PCB LAYOUT BASIC DIM TO 4.11
LAST BALLOON USED: 18	M5	CORRECTED	2CKT PCB SOLDER TAIL PAD WIDTHS TO 0.66; WAS 0.90
ADDED BALLOON NUMBERS: 17, 18	M4	REMASTERED	DRAWING, ADDED V0 PART NUMBERS TO BOM
REMOVED BALLOON NUMBERS:	M3	ADDED	NOTE ON PAGE 2, LABEL, AND PIN TP
	M1		NX REMASTERING
	REV		

THIS DRAWING CONTAINS INFORMATION THAT IS PROPRIETARY TO MOLEX ELECTRONIC TECHNOLOGIES, LLC AND SHOULD NOT BE USED WITHOUT WRITTEN PERMISSION									
DIMENSION UNITS	SCALE	CURRENT REV DESC:							
mm	5:1								
GENERAL TOLERANCES (UNLESS SPECIFIED)									
ANGULAR TOL	± 1.0°								
4 PLACES	±	EC NO: 664637							
3 PLACES	±	DRWN: TMACHUGA 2021/05/17							
2 PLACES	± 0.1	CHK'D: KHEWITT 2021/05/21							
1 PLACE	± 0.2	APPR: JDUNAJ 2021/05/21							
0 PLACES	±	INITIAL REVISION:							
DRAFT WHERE APPLICABLE MUST REMAIN WITHIN DIMENSIONS		THIRD ANGLE PROJECTION		DRAWING		SERIES		MATERIAL NUMBER	
		D-SIZE		34912		SD-34912-001		PSD 000 M6	
CUSTOMER				GENERAL MARKET					
SHEET NUMBER				1 OF 5					

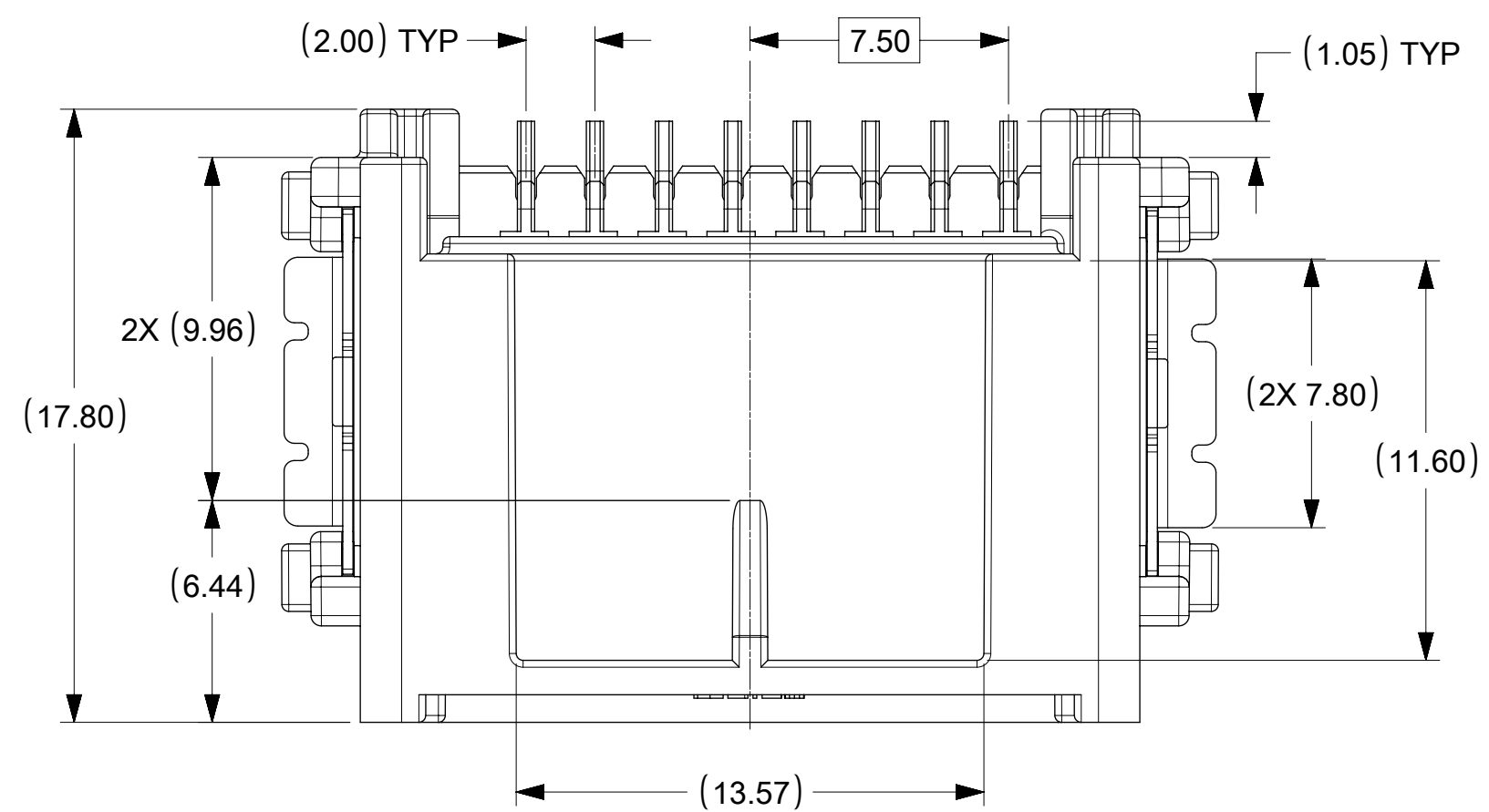
2 CKT SMT HEADER



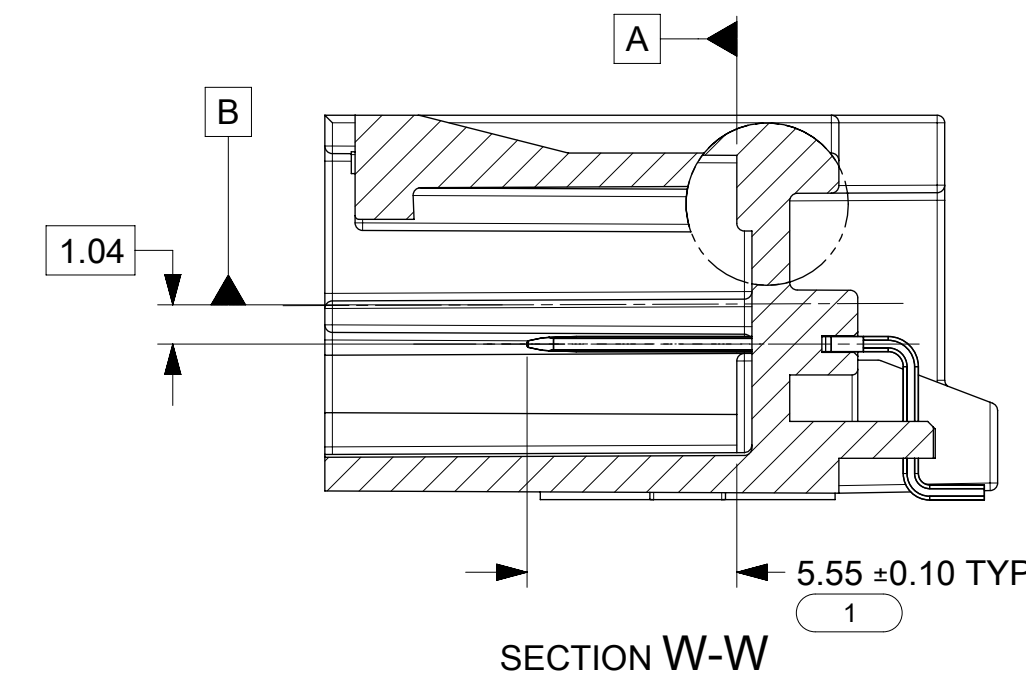
4 CKT SMT HEADER



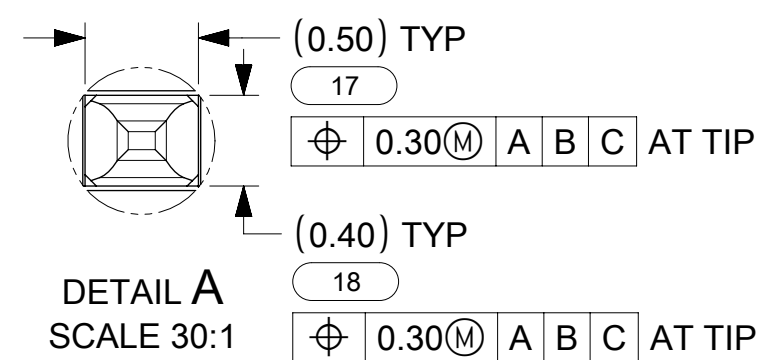
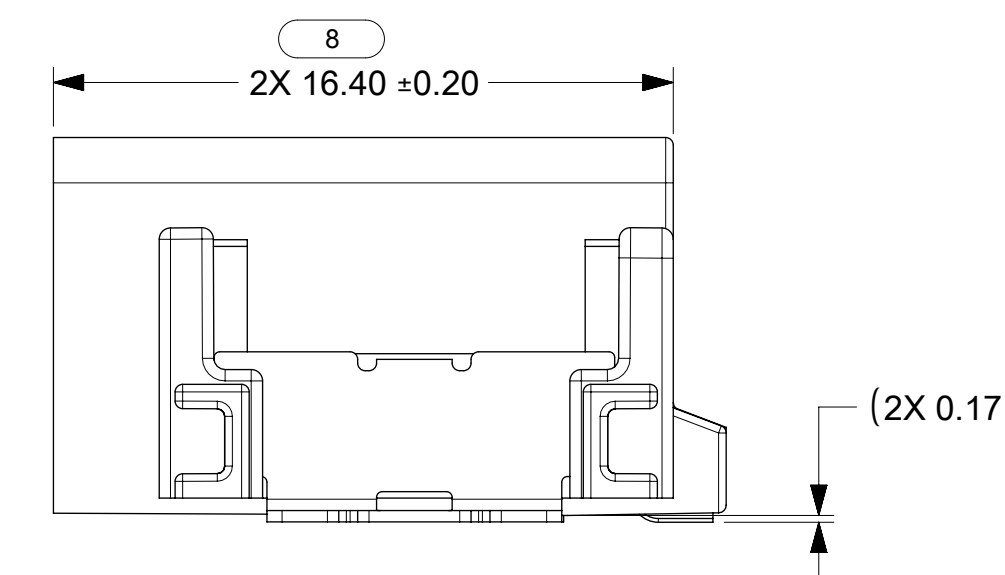
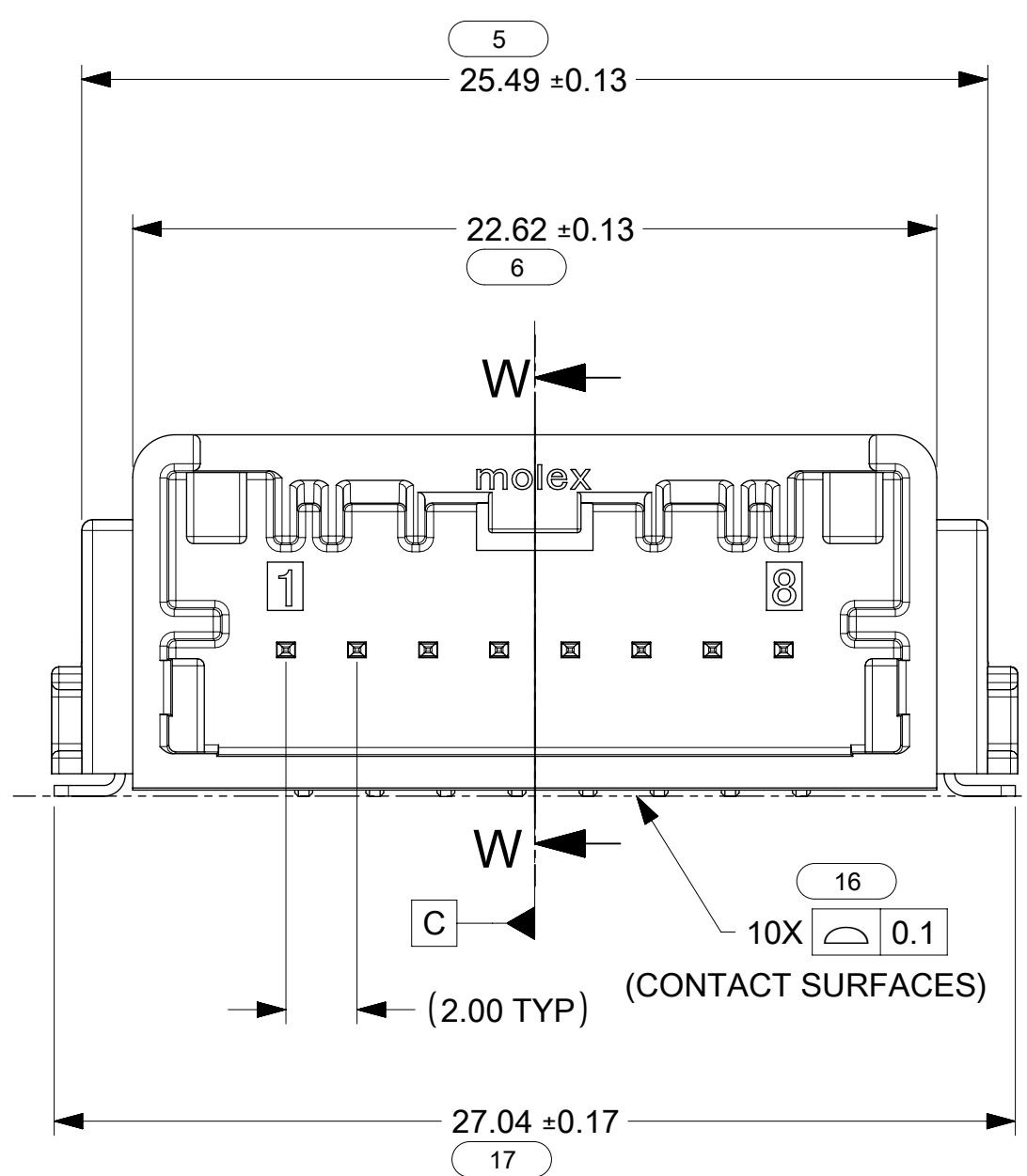
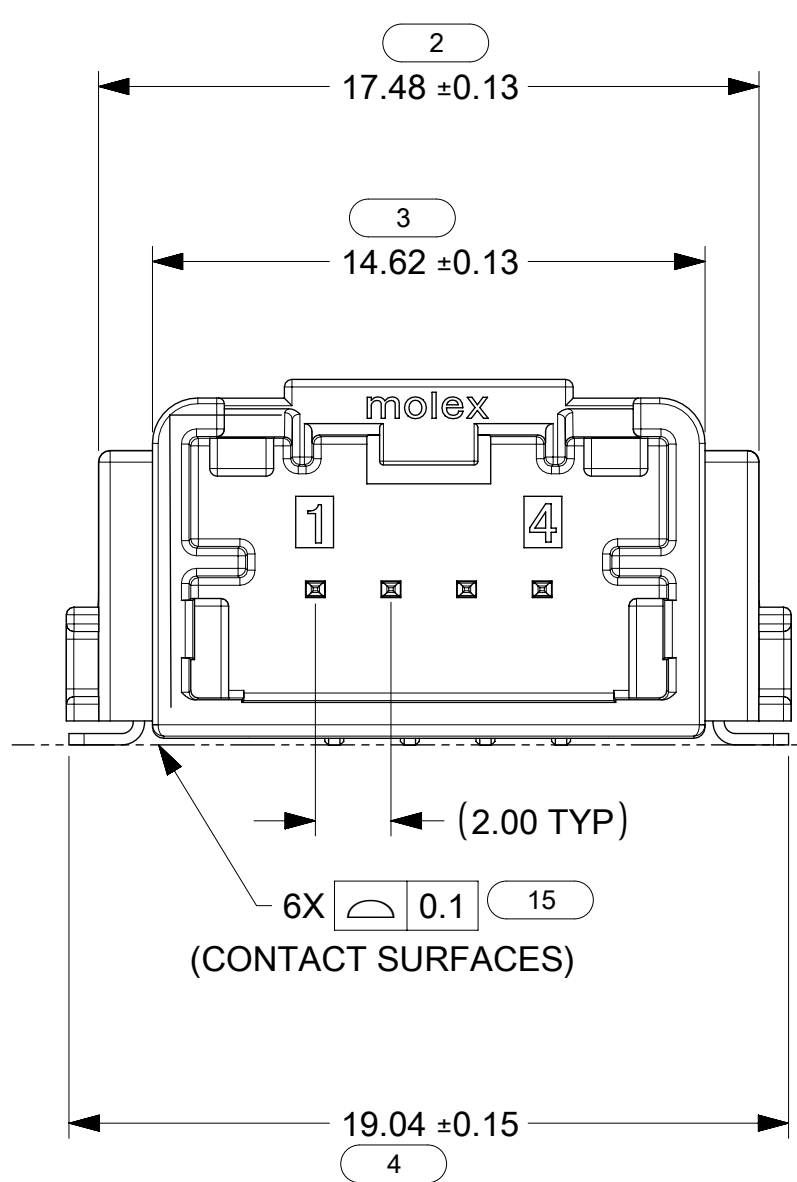
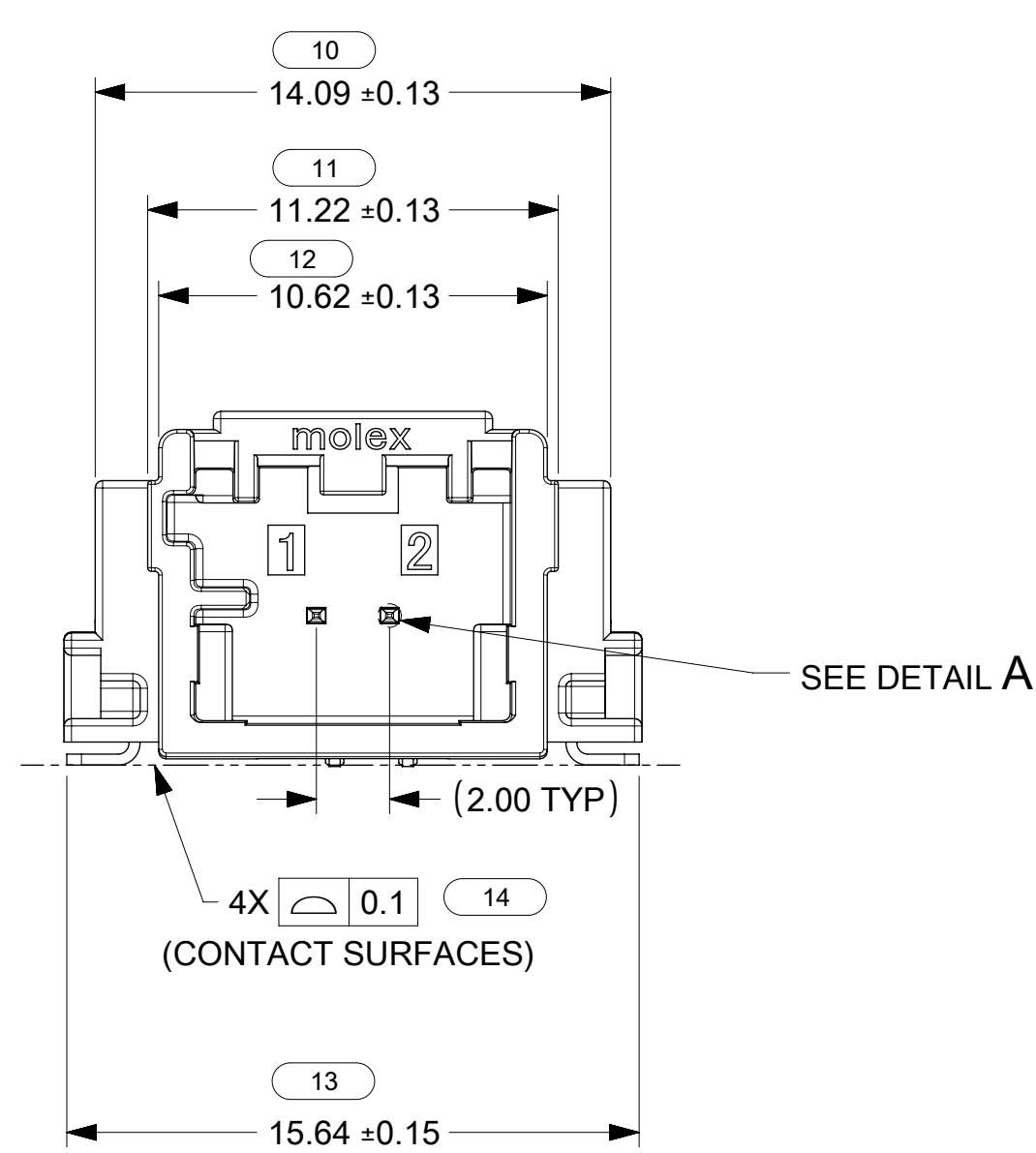
8 CKT SMT HEADER



HEADER TO PCB FLUSH MOUNT



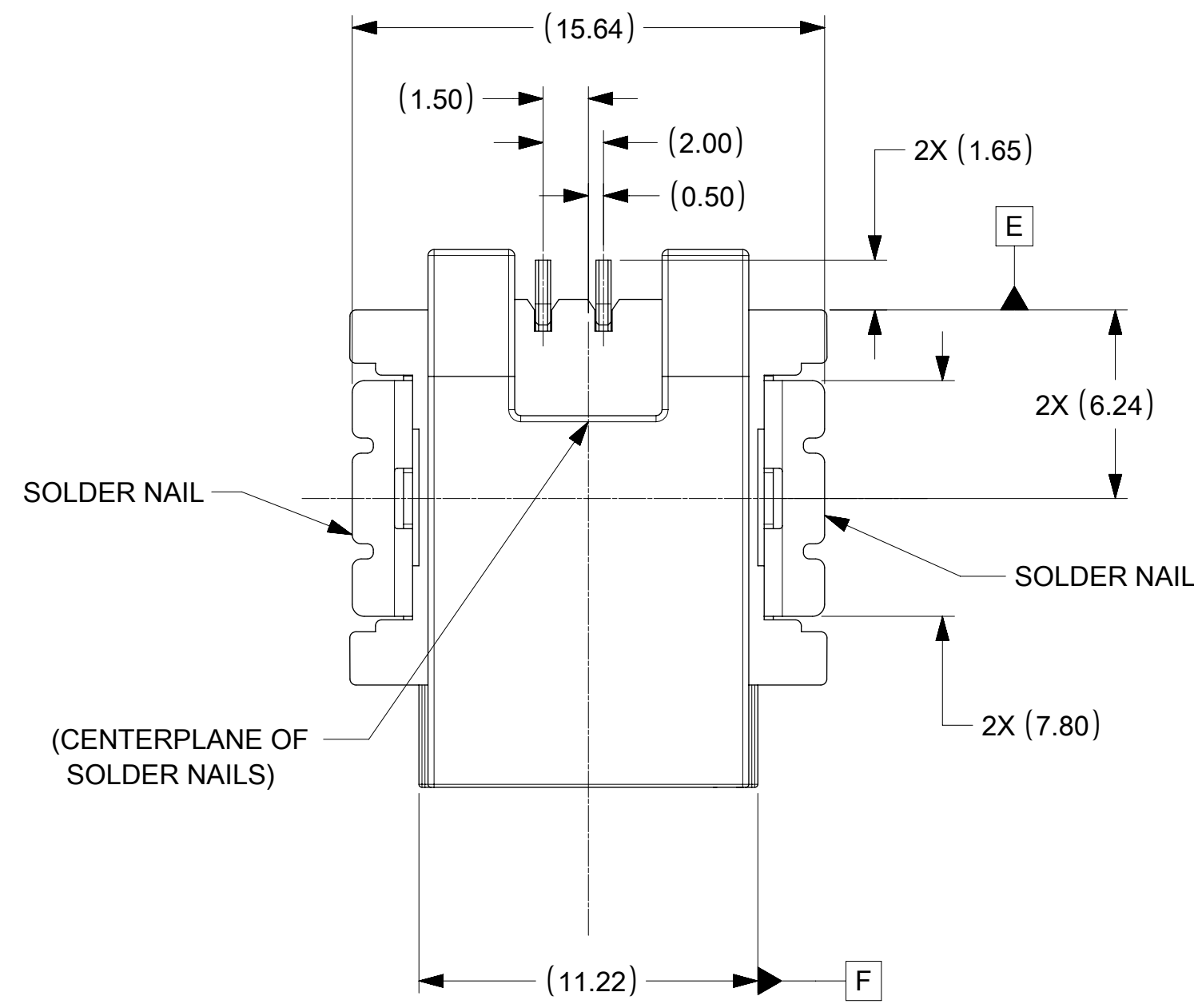
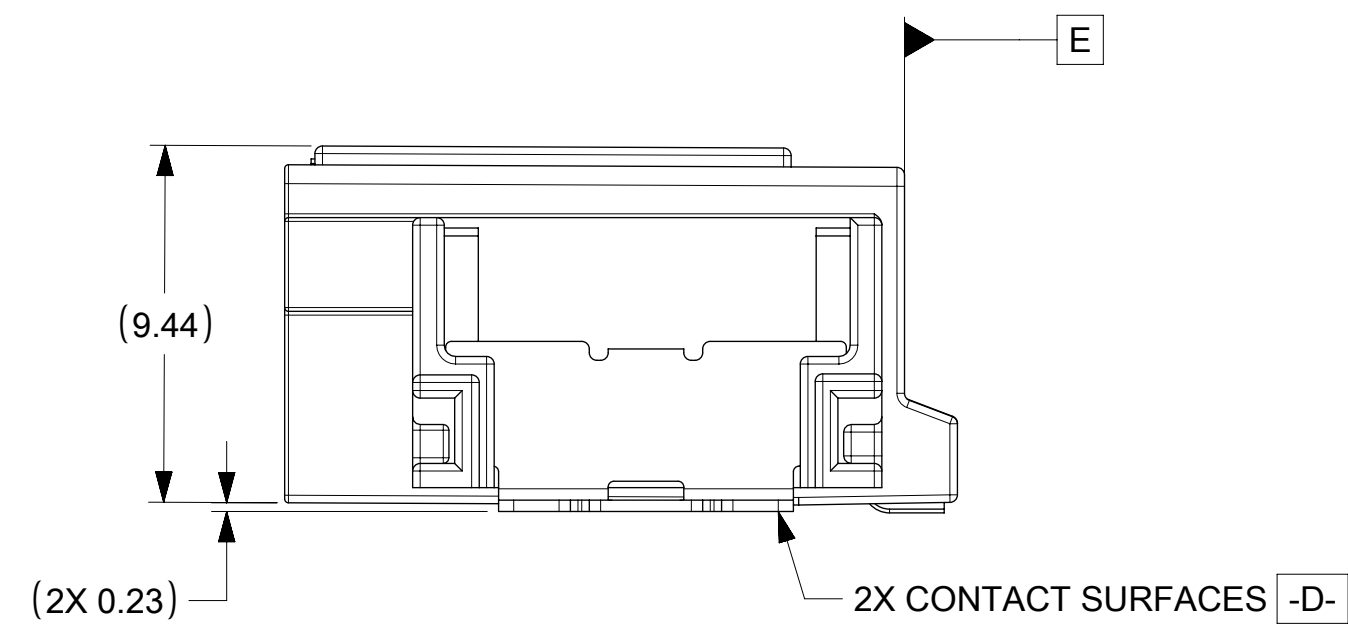
NOTE: SIDE VIEW IS SIMILAR FOR ALL CKTS ON THIS DRAWING



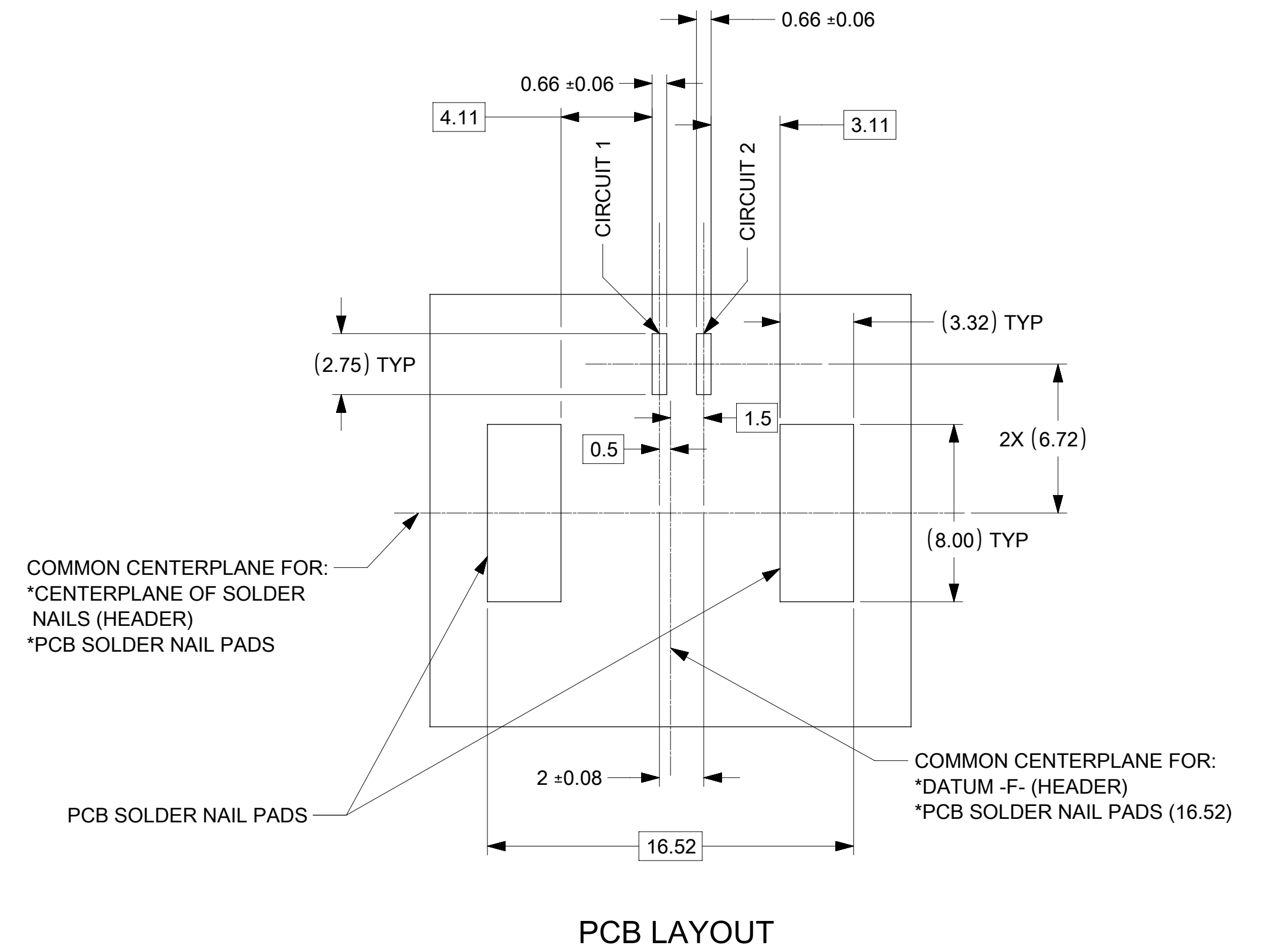
THIS DRAWING CONTAINS INFORMATION THAT IS PROPRIETARY TO MOLEX ELECTRONIC TECHNOLOGIES, LLC AND SHOULD NOT BE USED WITHOUT WRITTEN PERMISSION									
DIMENSION UNITS	SCALE	CURRENT REV DESC:							
mm	5:1	molex MINI50 2-8CKT SMT HDR SALES DWG PRODUCT CUSTOMER DRAWING							
GENERAL TOLERANCES (UNLESS SPECIFIED)									
ANGULAR TOL	± 1.0°								
4 PLACES	±								
3 PLACES	±								
2 PLACES	± 0.1	EC NO: 664637	DRWN: TMACHUGA 2021/05/17					CHK'D: KHEWITT 2021/05/21	
1 PLACE	± 0.2	APPR: JDUNAJ 2021/05/21					INITIAL REVISION:		
0 PLACES	±	DRWN: TMACHUGA 2016/09/20					DRWN: TMACHUGA 2017/02/17		
DRAFT WHERE APPLICABLE MUST REMAIN WITHIN DIMENSIONS		THIRD ANGLE PROJECTION	DRAWING	SERIES	MATERIAL NUMBER	CUSTOMER	SHEET NUMBER		
			D-SIZE	34912		GENERAL MARKET	2 OF 5		

RECOMMENDED PCB LAYOUT:

2 WAY:



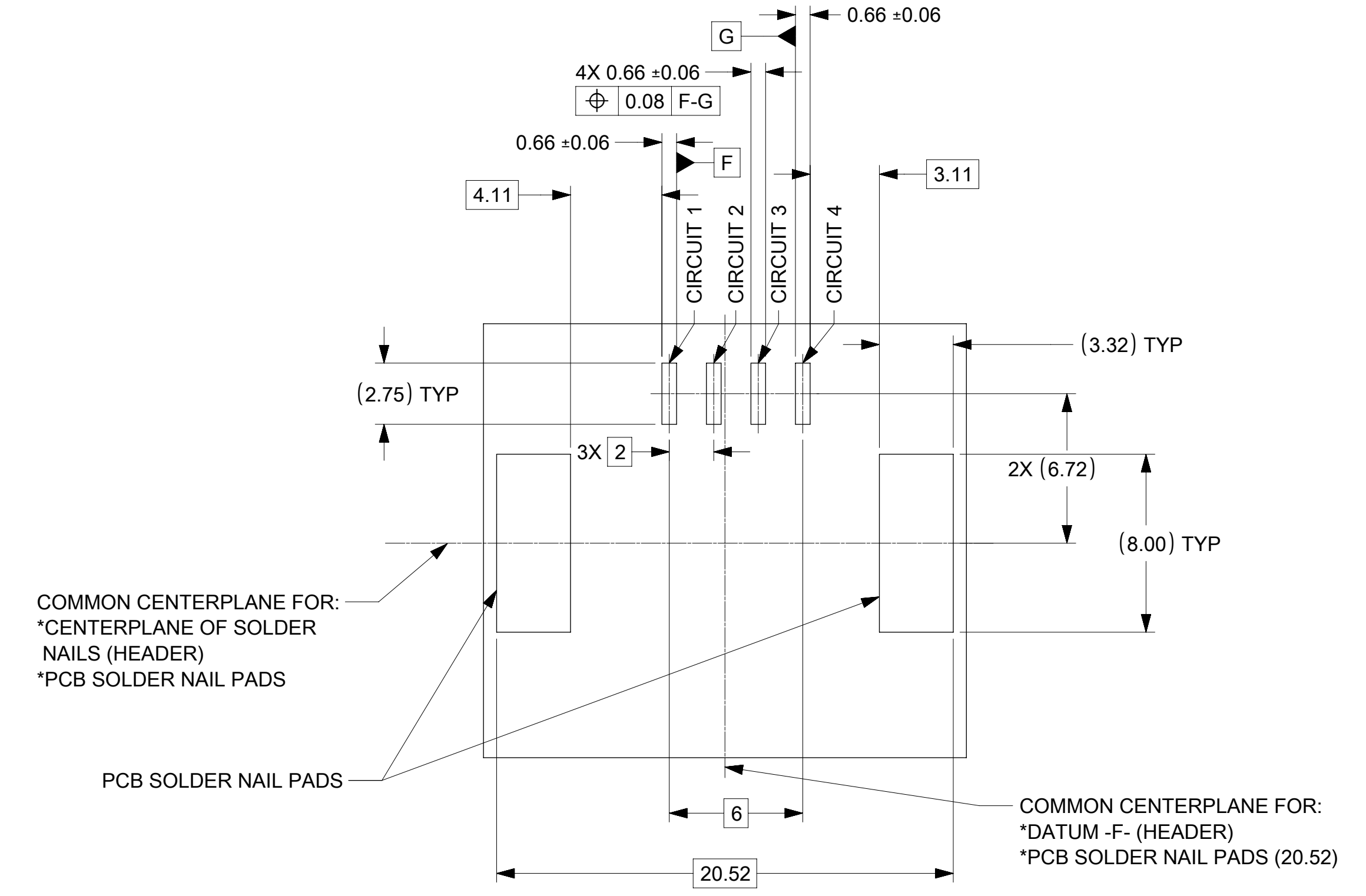
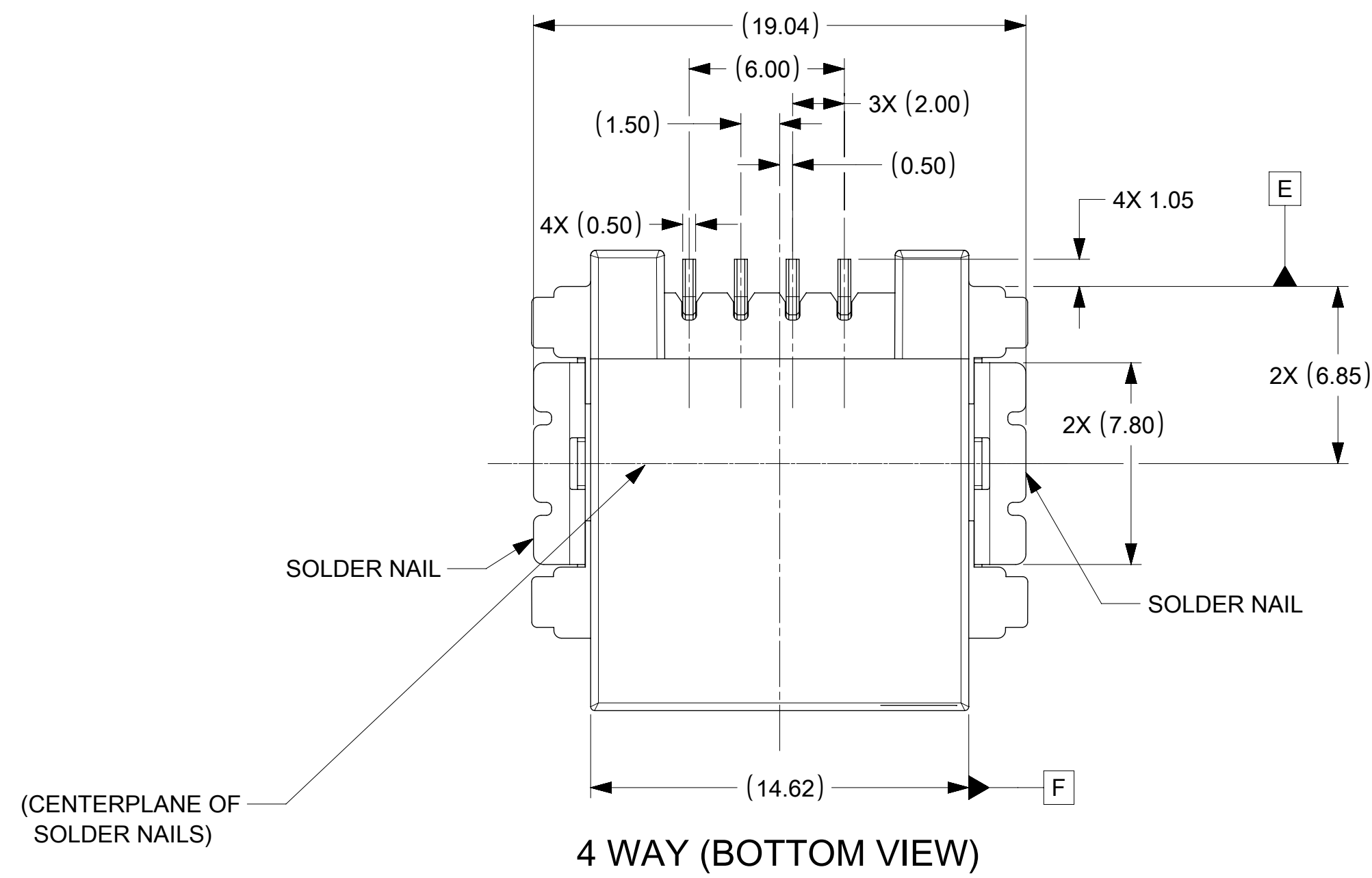
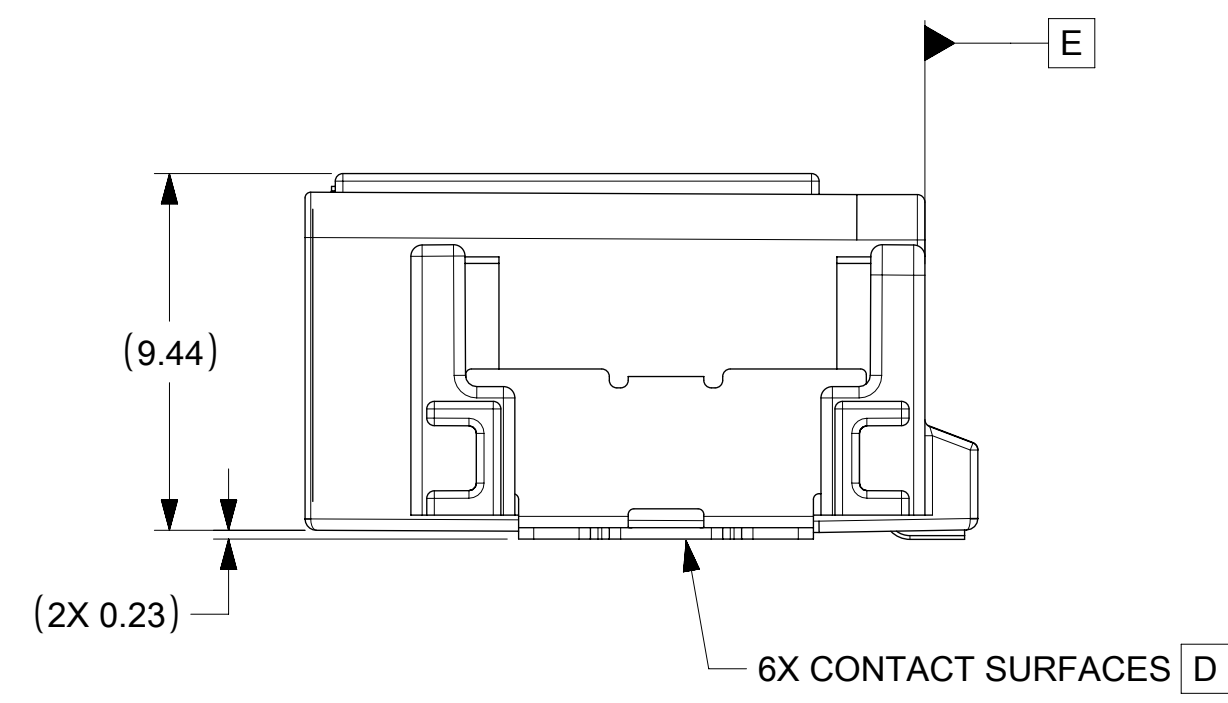
2 WAY (BOTTOM VIEW)



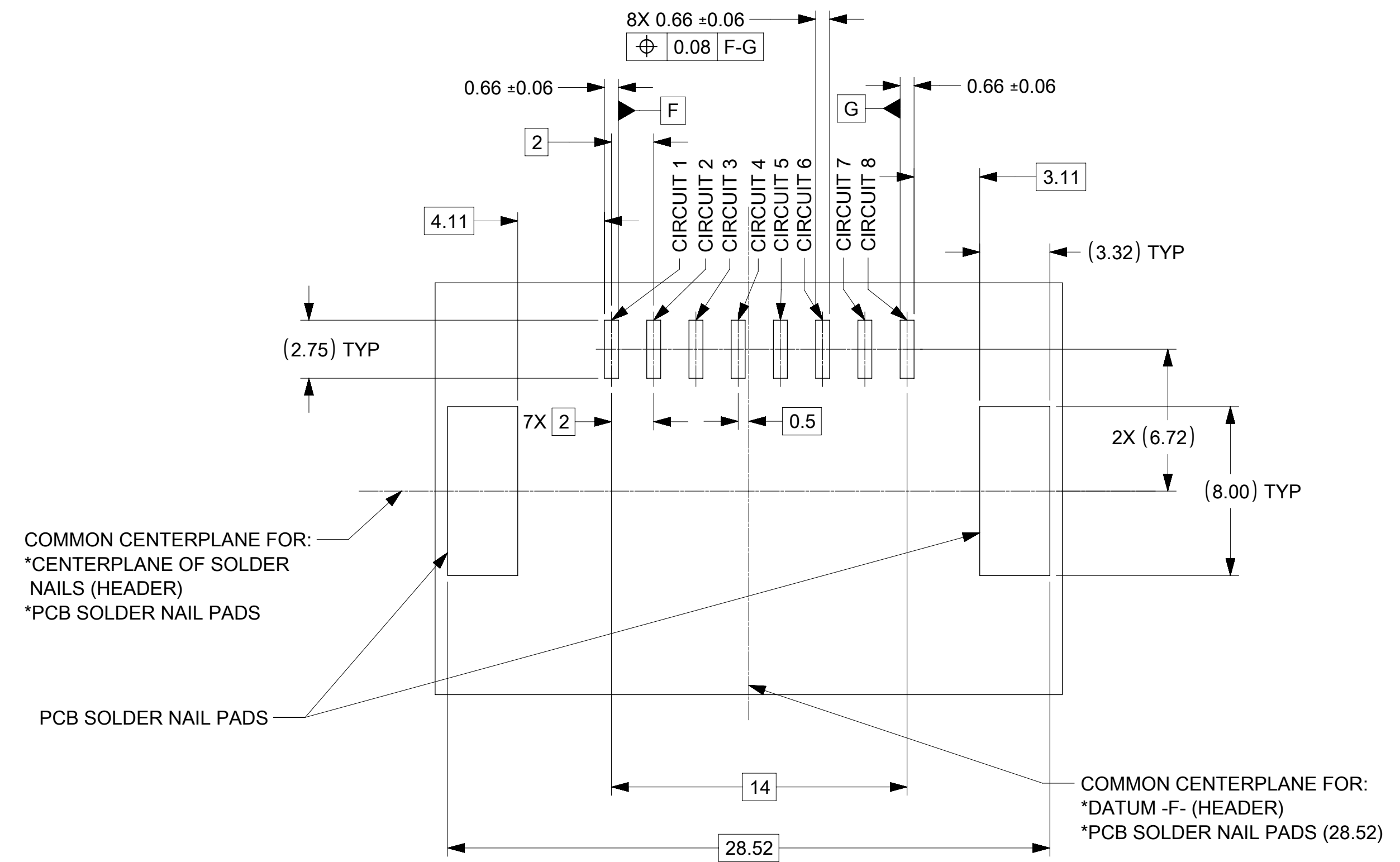
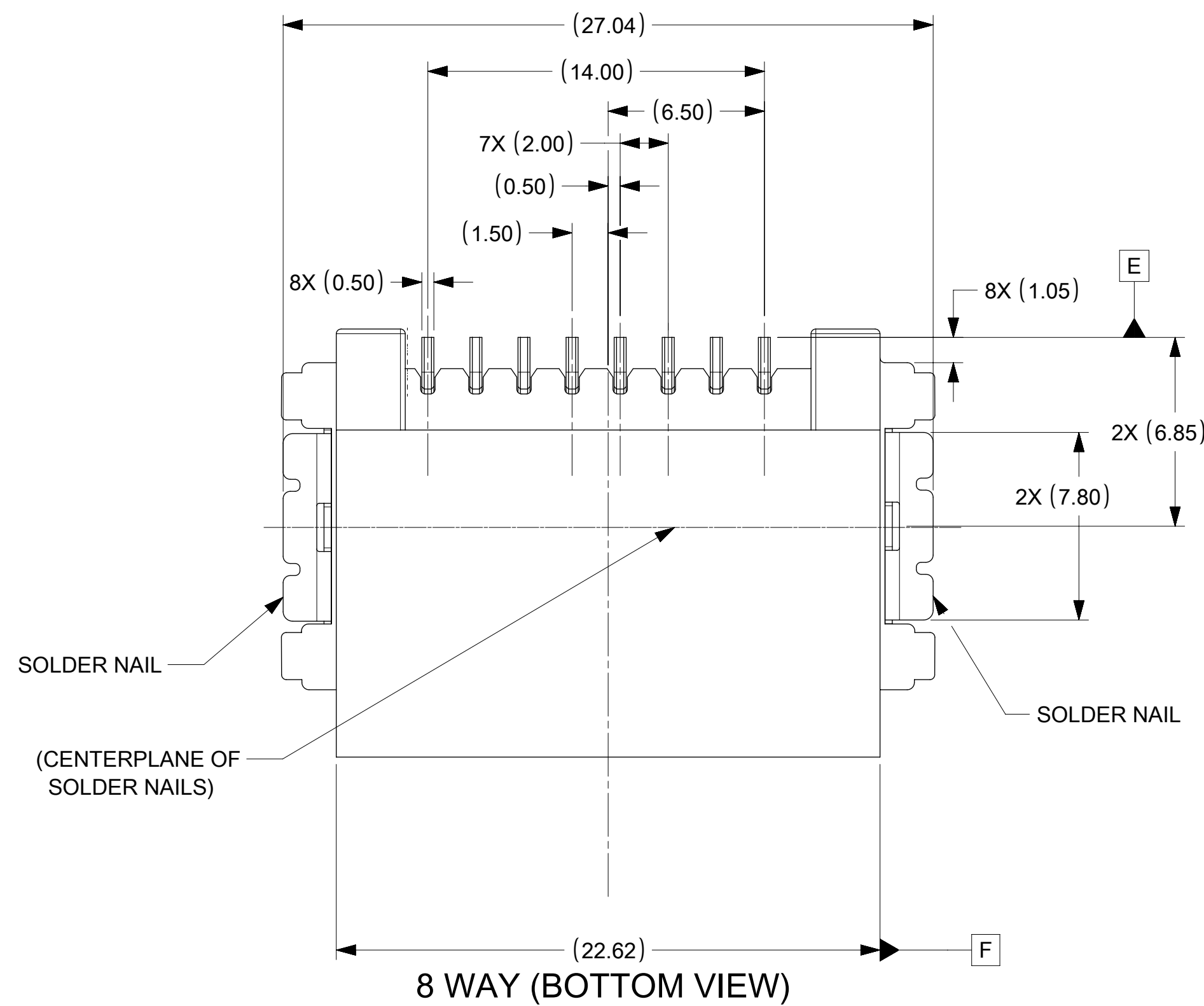
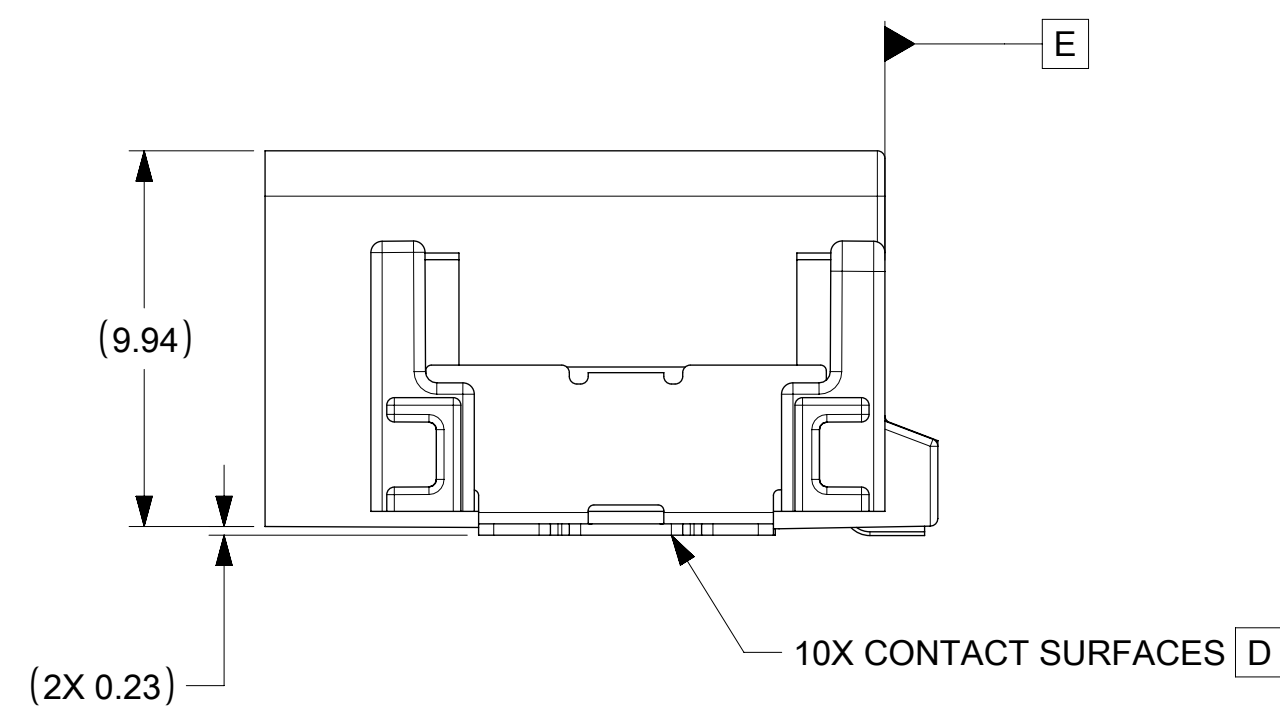
THIS DRAWING CONTAINS INFORMATION THAT IS PROPRIETARY TO MOLEX ELECTRONIC TECHNOLOGIES, LLC AND SHOULD NOT BE USED WITHOUT WRITTEN PERMISSION									
DIMENSION UNITS	SCALE	CURRENT REV DESC:			molex				
mm	5:1								
GENERAL TOLERANCES (UNLESS SPECIFIED)		EC NO: 664637			MINI50 2-8CKT SMT HDR SALES DWG				
ANGULAR TOL	± 1.0°	DRWN: TMACHUGA 2021/05/17			PRODUCT CUSTOMER DRAWING				
4 PLACES	±	CHK'D: KHEWITT 2021/05/21			DOCUMENT NUMBER				
3 PLACES	±	APPR: JDUNAJ 2021/05/21			SD-34912-001				
2 PLACES	± 0.1	INITIAL REVISION:			DOC TYPE				
1 PLACE	± 0.2	DRWN: TMACHUGA 2016/09/20			PSD				
0 PLACES	±	APPR: TMACHUGA 2017/02/17			000				
DRAFT WHERE APPLICABLE MUST REMAIN WITHIN DIMENSIONS		THIRD ANGLE PROJECTION		DRAWING	SERIES	MATERIAL NUMBER		CUSTOMER	SHEET NUMBER
				D-SIZE	34912			GENERAL MARKET	3 OF 5

RECOMMENDED PCB LAYOUT:

4 WAY:



8 WAY:



THIS DRAWING CONTAINS INFORMATION THAT IS PROPRIETARY TO MOLEX ELECTRONIC TECHNOLOGIES, LLC AND SHOULD NOT BE USED WITHOUT WRITTEN PERMISSION

DIMENSION UNITS	SCALE	CURRENT REV DESC:	molex		
mm	5:1				
GENERAL TOLERANCES (UNLESS SPECIFIED)		EC NO: 664637	MINI50 2-8CKT SMT HDR SALES DWG		
ANGULAR TOL	± 1.0°	DRWN: TMACHUGA 2021/05/17	PRODUCT CUSTOMER DRAWING		
4 PLACES	±	CHK'D: KHEWITT 2021/05/21	DOCUMENT NUMBER		
3 PLACES	±	APPR: JDUNAJ 2021/05/21	DOC TYPE		
2 PLACES	± 0.1	INITIAL REVISION:	DOC PART		
1 PLACE	± 0.2	DRWN: TMACHUGA 2016/09/20	REVISION		
0 PLACES	±	APPR: TMACHUGA 2017/02/17	SD-34912-001		
DRAFT WHERE APPLICABLE MUST REMAIN WITHIN DIMENSIONS		THIRD ANGLE PROJECTION	MATERIAL NUMBER		CUSTOMER
		DRAWING	SERIES		SHEET NUMBER
		D-SIZE	34912		4 OF 5
		GENERAL MARKET			

GOLD:

MINI 50 SMT SINGLE ROW ASSEMBLIES

MATERIAL NUMBER TUBE PACKAGING PK-31301-688	MATERIAL NUMBER TAPE AND REEL PACKAGING PK-31301-786	TOOLED	CIRCUIT	POL	COLOR	BLADE PLATING	MATING COMPONENT	
							UN-BRIDGED	BRIDGED
N/A	34912-6020	NO	2	A	BLACK	GOLD	N/A	34791-0020
N/A	34912-6021	NO	2	B	GREY	GOLD	N/A	34791-0021
N/A	34912-6022	NO	2	C	DARK GRAY	GOLD	N/A	34791-0022
N/A	34912-6023	NO	2	D	GREEN	GOLD	N/A	34791-0023
34912-7040	34912-6040	NO	4	A	BLACK	GOLD	34791-0040	34791-0140
34912-7041	34912-6041	NO	4	B	GREY	GOLD	34791-0041	34791-0141
34912-7042	34912-6042	NO	4	C	DARK GRAY	GOLD	34791-0042	34791-0142
34912-7043	34912-6043	NO	4	D	GREEN	GOLD	34791-0043	34791-0143
34912-7080	34912-6080	NO	8	A	BLACK	GOLD	34791-0080	34791-0180
34912-7081	34912-6081	NO	8	B	GREY	GOLD	34791-0081	34791-0181
34912-7082	34912-6082	NO	8	C	DARK GRAY	GOLD	34791-0082	34791-0182

TIN:

MATERIAL NUMBER TUBE PACKAGING PK-31301-688	MATERIAL NUMBER TAPE AND REEL PACKAGING PK-31301-786	FLAMMABILITY	CIRCUIT	POL	COLOR	BLADE PLATING	MATING COMPONENT	
							UN-BRIDGED	BRIDGED
34912-9020	34912-8020	HB	2	A	BLACK	TIN OVER NICKEL	N/A	34791-0020
34912-9021	34912-8021	HB	2	B	GREY	TIN OVER NICKEL	N/A	34791-0021
34912-9022	34912-8022	HB	2	C	DARK GRAY	TIN OVER NICKEL	N/A	34791-0022
34912-9023	34912-8023	HB	2	D	GREEN	TIN OVER NICKEL	N/A	34791-0023
34912-9040	34912-8040	HB	4	A	BLACK	TIN OVER NICKEL	34791-0040	34791-0140
34912-9041	34912-8041	HB	4	B	GREY	TIN OVER NICKEL	34791-0041	34791-0141
34912-9042	34912-8042	HB	4	C	DARK GRAY	TIN OVER NICKEL	34791-0042	34791-0142
34912-9043	34912-8043	HB	4	D	GREEN	TIN OVER NICKEL	34791-0043	34791-0143
34912-9080	34912-8080	HB	8	A	BLACK	TIN OVER NICKEL	34791-0080	34791-0180
34912-9081	34912-8081	HB	8	B	GREY	TIN OVER NICKEL	34791-0081	34791-0181
34912-9082	34912-8082	HB	8	C	DARK GRAY	TIN OVER NICKEL	34791-0082	34791-0182
2154229080	2154228080	V0	8	A	BLACK	TIN OVER NICKEL	34791-0080	34791-0180
2154229081	2154228081	V0	8	B	GREY	TIN OVER NICKEL	34791-0081	34791-0181
2154229082	2154228082	V0	8	C	DARK GRAY	TIN OVER NICKEL	34791-0082	34791-0182

THIS DRAWING CONTAINS INFORMATION THAT IS PROPRIETARY TO MOLEX ELECTRONIC TECHNOLOGIES, LLC AND SHOULD NOT BE USED WITHOUT WRITTEN PERMISSION											
DIMENSION UNITS mm		SCALE 1:1		CURRENT REV DESC:				molex		MINI50 2-8CKT SMT HDR SALES DWG	
GENERAL TOLERANCES (UNLESS SPECIFIED)				EC NO: 664637							
ANGULAR TOL ± 1.0°		4 PLACES ±		DRWN: TMACHUGA		2021/05/17		PRODUCT CUSTOMER DRAWING			
3 PLACES ±		2 PLACES ± 0.1		CHK'D: KHEWITT		2021/05/21					
1 PLACE ± 0.2		0 PLACES ±		APPR: JDUNAJ		2021/05/21		DOCUMENT NUMBER SD-34912-001			
INITIAL REVISION: DRWN: TMACHUGA 2016/09/20 APPR: TMACHUGA 2017/02/17				DOC TYPE PSD		DOC PART 000					REVISION M6
DRAFT WHERE APPLICABLE MUST REMAIN WITHIN DIMENSIONS		THIRD ANGLE PROJECTION 		DRAWING D-SIZE		SERIES 34912		MATERIAL NUMBER CUSTOMER GENERAL MARKET		SHEET NUMBER 5 OF 5	

单击下面可查看定价，库存，交付和生命周期等信息

[>>MOLEX](#)