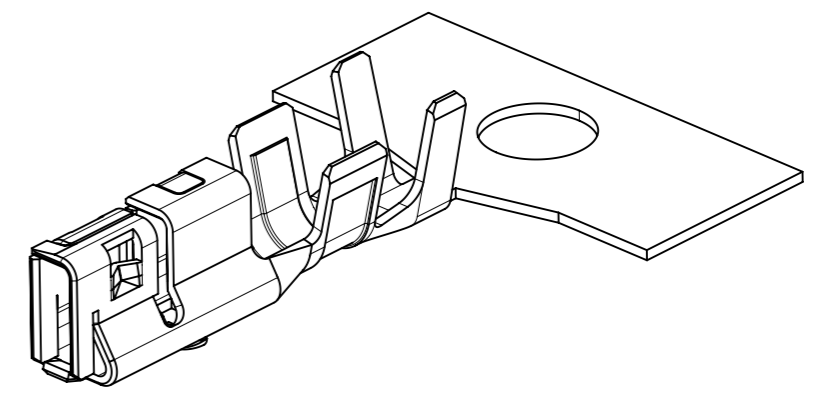
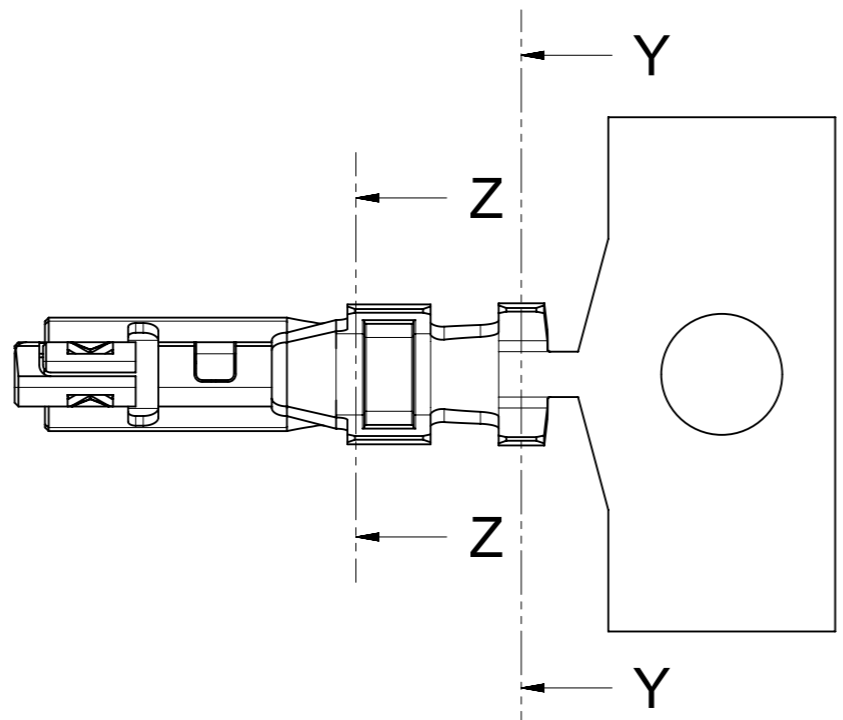
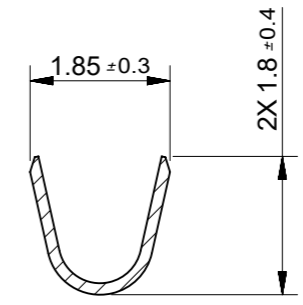
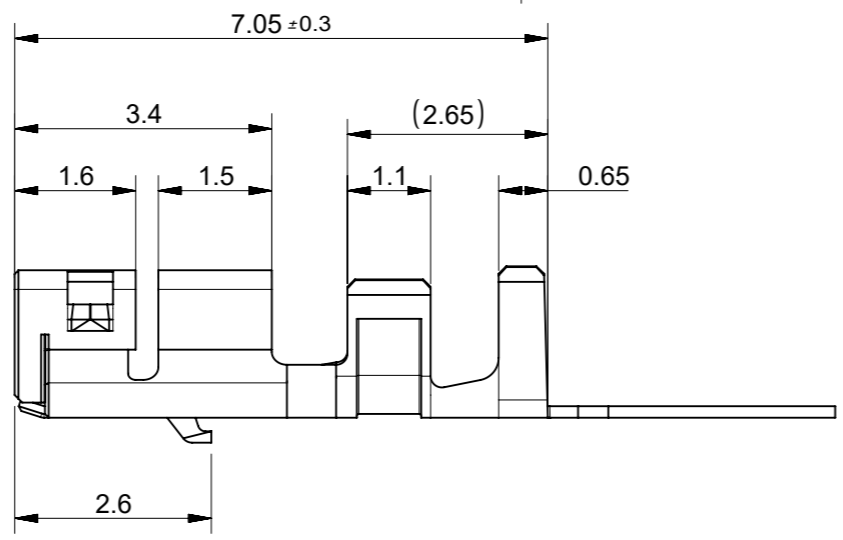
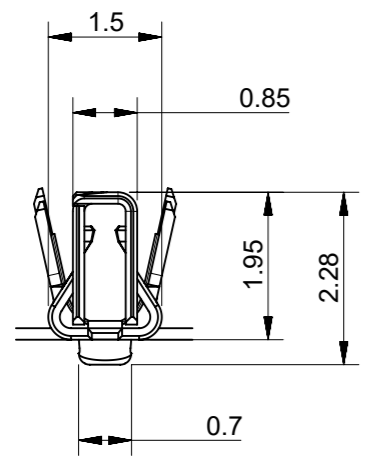


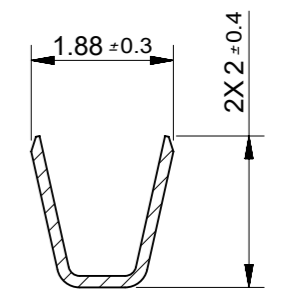
GENERAL TOLERANCE										USED ON
10 MAX	30 MAX	50 MAX	70 MAX	100 MAX	120 MAX	250 MAX	250 OVER	ANGLE	ECCENT	
±0.15	±0.20	±0.30	±0.40	±0.50	±0.75	±0.90	±1.4	±0.5°	0.1	



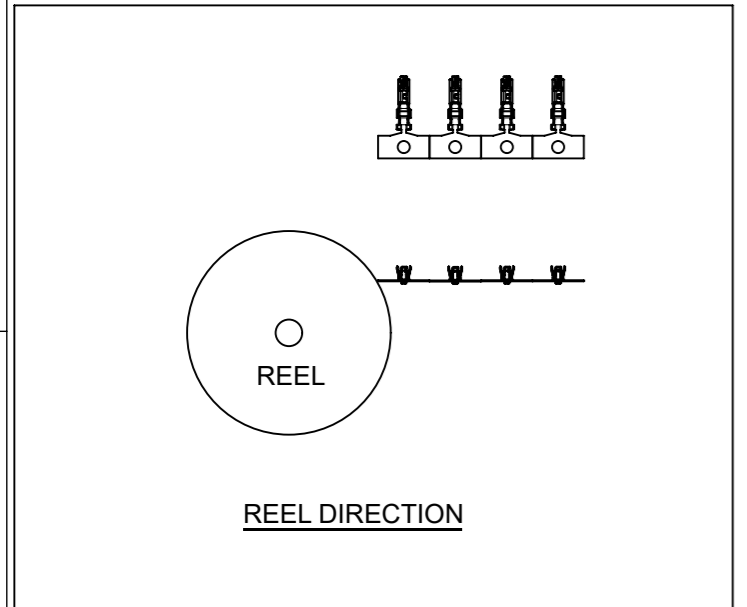
ISO VIEW



SECTION Z-Z



SECTION Y-Y



- NOTES:
1. MATERIALS : CORSON ALLOY, PRE-TIN, 0.15T
 2. APPLICABLE HOUSING : 560123 SERIES
 3. APPLICABLE WIRE : SEE CS-560124-001
 4. GENERAL TOLERANCE : SEE TABLE
 5. EVL AND RoHS COMPLIANT
 6. PRODUCT SPECIFICATION : PS-560123-001,002,003
 7. PACKING SPECIFICATION : PK-560124-001
 8. CRIMP SPECIFICATION : CS-560124-001

ORDER NO.	MATERIAL NO.
560124-0101	5601240101

SYMBOLS	THIS DRAWING CONTAINS INFORMATION THAT IS PROPRIETARY TO MOLEX ELECTRONIC TECHNOLOGIES, LLC AND SHOULD NOT BE USED WITHOUT WRITTEN PERMISSION		CURRENT REV DESC:		
	▽ = 0	DIMENSION UNITS	SCALE		
▽ = 0	mm	10:1			NEW 2.0 W/B CRIMP REC DURA CLIK ISL SERIES
▽ = 0	GENERAL TOLERANCES (UNLESS SPECIFIED)				
▽ = 0	ANGULAR TOL ± °				PRODUCT CUSTOMER DRAWING
▽ = 0	4 PLACES ±				
▽ = 0	3 PLACES ±				DOCUMENT NUMBER SD-560124-001
▽ = 0	2 PLACES ±				
▽ = 0	1 PLACE ±				DOC TYPE PSD
▽ = 0	0 PLACES ±				
□ = 0	DRAFT WHERE APPLICABLE MUST REMAIN WITHIN DIMENSIONS		THIRD ANGLE PROJECTION	DRAWING	DOC PART 001
▽ = 0				A3-SIZE	
		SERIES	MATERIAL NUMBER	CUSTOMER	REVISION A2
		560124		GENERAL MARKET	
					SHEET NUMBER
					1 OF 1

单击下面可查看定价，库存，交付和生命周期等信息

[>>MOLEX](#)