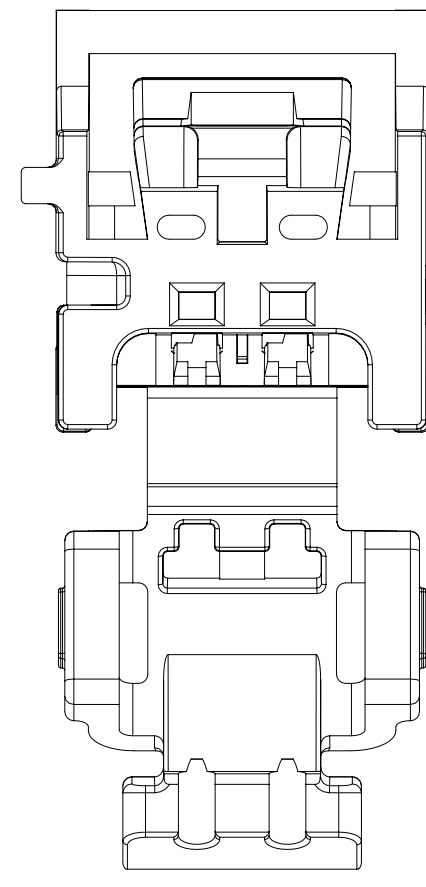
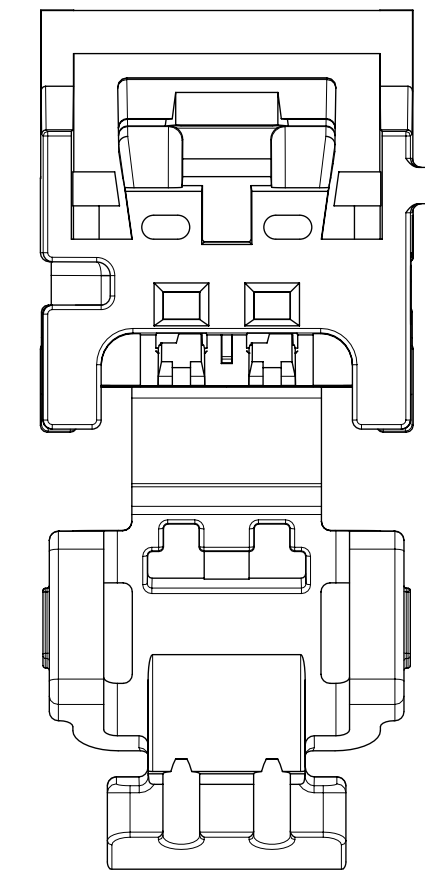


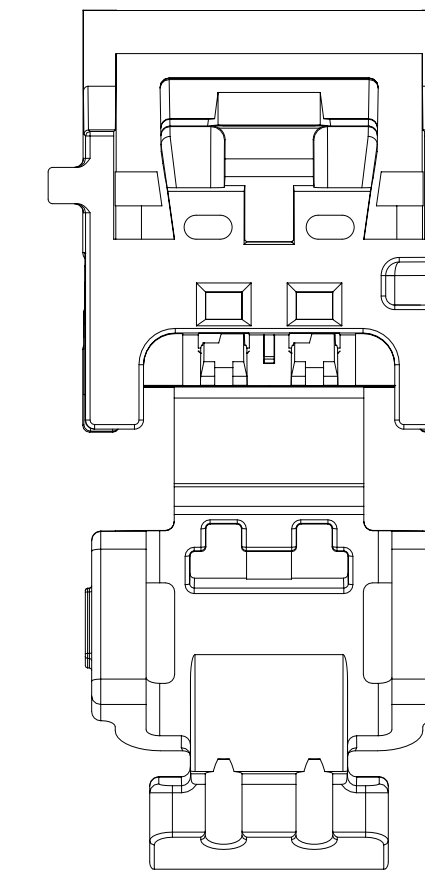
2 CIRCUIT RECEPTACLE BRIDGED  
POLARIZATION OPTION A



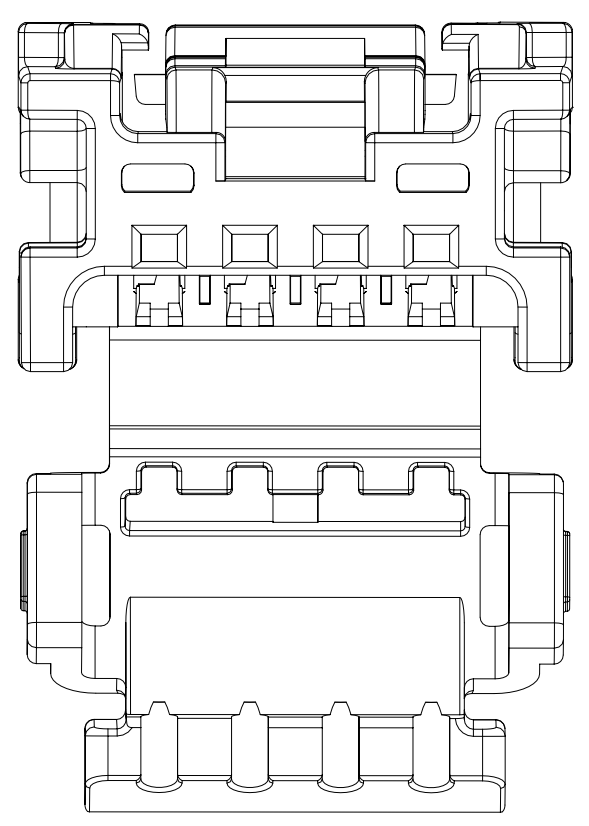
2 CIRCUIT RECEPTACLE BRIDGED  
POLARIZATION OPTION B



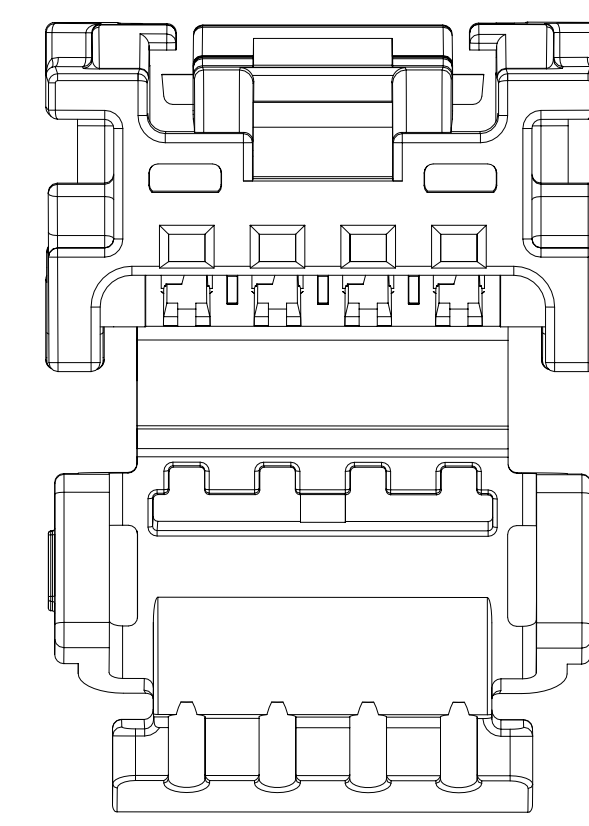
2 CIRCUIT RECEPTACLE BRIDGED  
POLARIZATION OPTION C



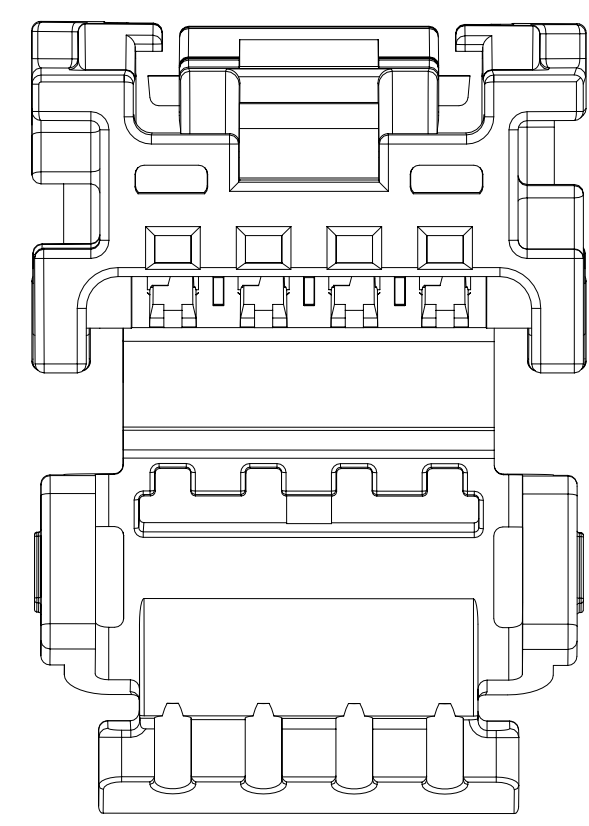
2 CIRCUIT RECEPTACLE BRIDGED  
POLARIZATION OPTION D



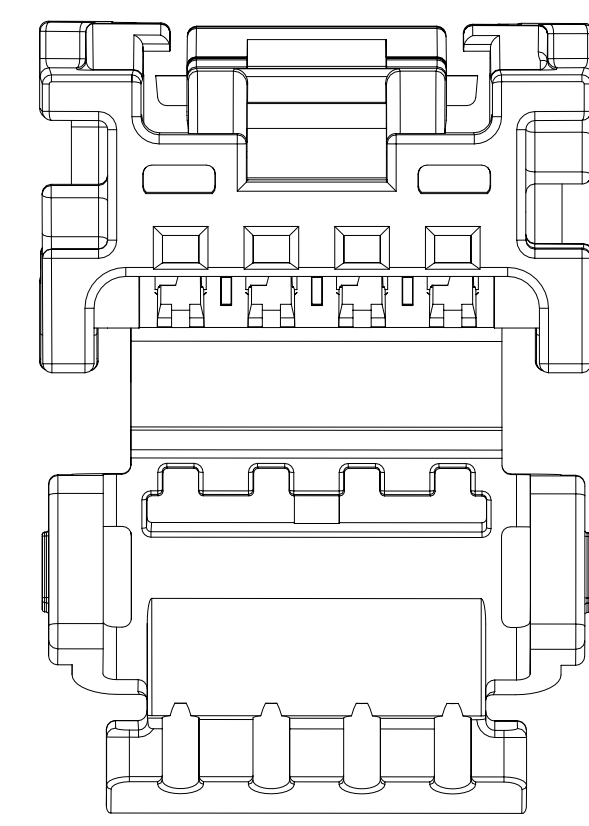
4 CIRCUIT RECEPTACLE NO BRIDGE  
POLARIZATION OPTION A



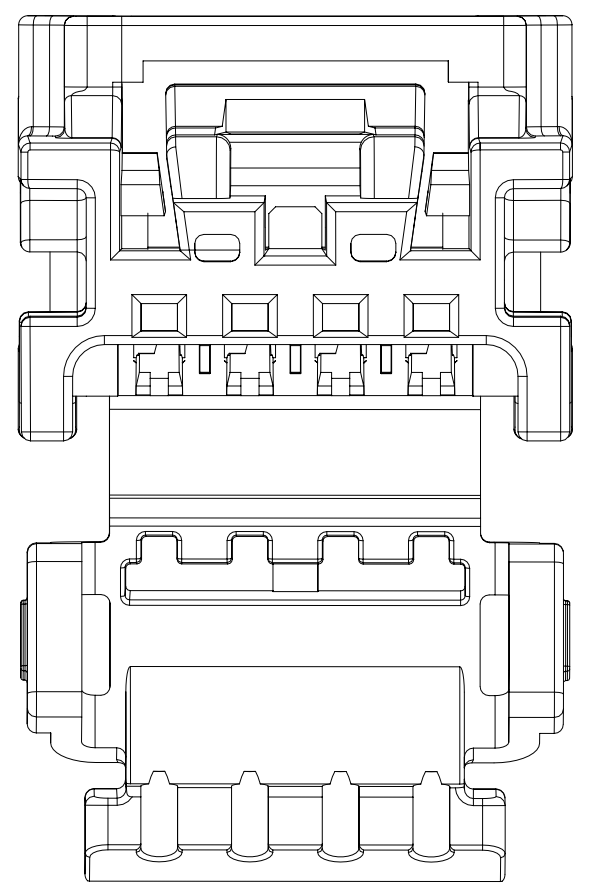
4 CIRCUIT RECEPTACLE NO BRIDGE  
POLARIZATION OPTION B



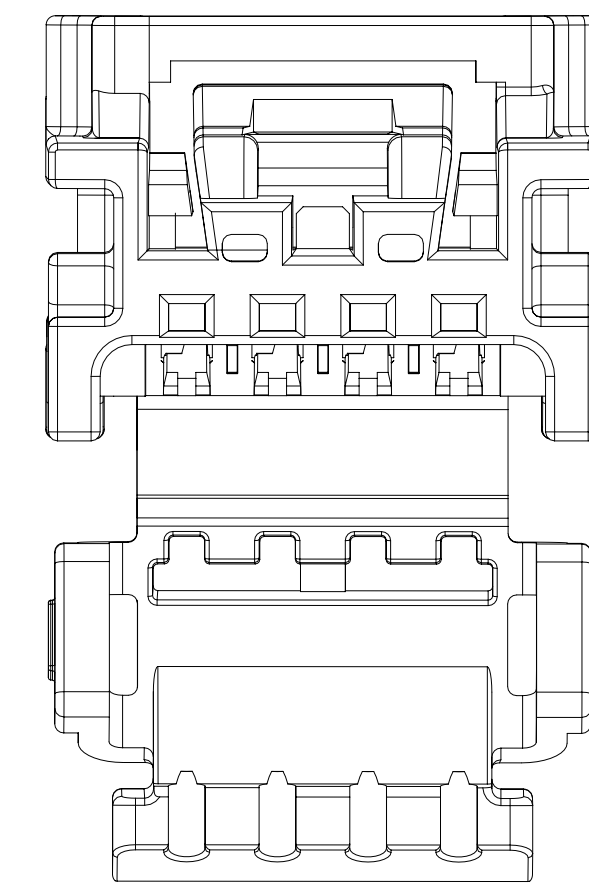
4 CIRCUIT RECEPTACLE NO BRIDGE  
POLARIZATION OPTION C



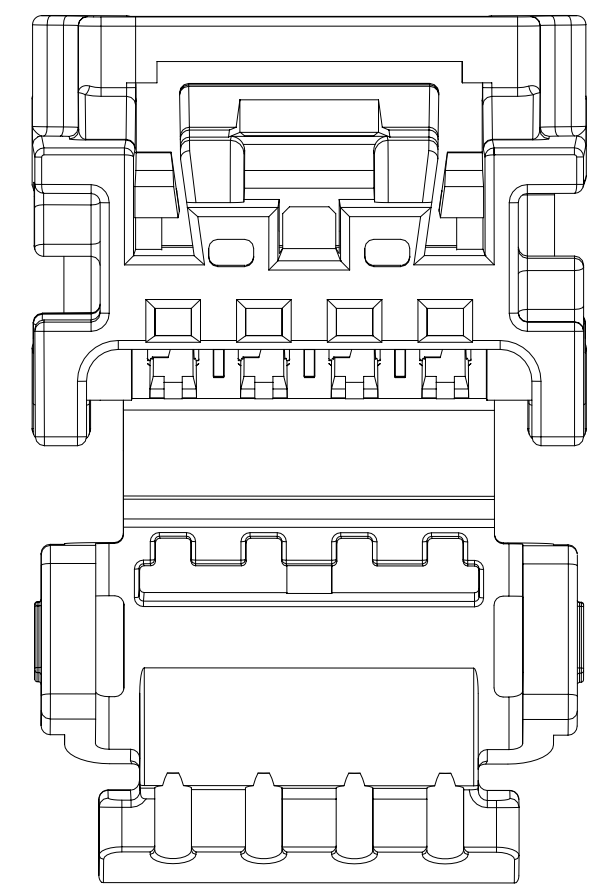
4 CIRCUIT RECEPTACLE NO BRIDGE  
POLARIZATION OPTION D



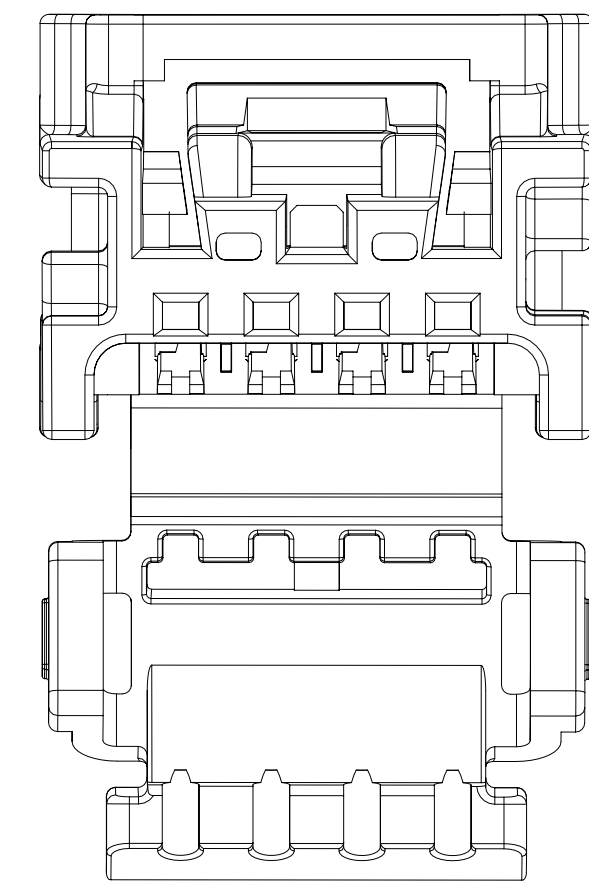
4 CIRCUIT RECEPTACLE BRIDGED  
POLARIZATION OPTION A



4 CIRCUIT RECEPTACLE BRIDGED  
POLARIZATION OPTION B



4 CIRCUIT RECEPTACLE BRIDGED  
POLARIZATION OPTION C



4 CIRCUIT RECEPTACLE BRIDGED  
POLARIZATION OPTION D

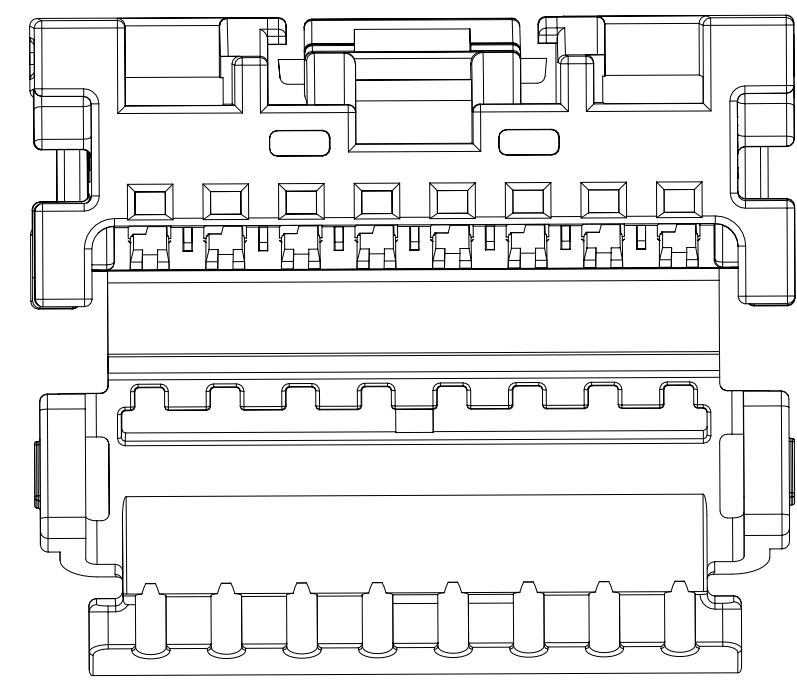
NOTES: VALID UNLESS OTHERWISE SPECIFIED

1. GENERAL:
  - a. APPLICATION SPECIFICATION SEE: AS-34791-020
  - b. PRODUCT SPECIFICATION SEE: PS-34971-020
  - c. PACKAGING SPECIFICATION PER MOLEX DRAWING: PK-31301-538
  - d. PARTS MUST BE IN COMPLIANCE TO MOLEX CHEMICAL SUBSTANCES FOR PRODUCTS AND PACKAGING SPECIFICATION: QEHS-699000-301
  - e. DATA MUST BE SUBMITTED UNDER THE MOLEX PART NUMBER TO IMDS (COMPANY ID#13255)
  - f. FLAMMABILITY REQUIREMENT: PER ISO3795 OR GM3191
    1. BURN RATE 100 mm/MIN MAXIMUM
    2. MATERIAL MUST BE SELF EXTINGUISHING
  - g. VISUAL DEFECTS SHALL MEET COSMETIC STANDARD PS-45499-002 (Class B)
  - h. FOR TERMINAL USAGE, REFER TO MOLEX SALES DRAWING SD-560023-002.
2. DESIGN - MATERIALS:
  - a. MATERIAL: UNFILLED PBT
3. DESIGN - GEOMETRY:
  - a. THIS IS A 100% CAD GENERATED PART. THE CAD MATHEMATICAL DATA IS THE MASTER FOR THIS PART. FOR DIMENSIONAL OR ANY INFORMATION NOT SHOWN ON THIS DRAWING, ANALYZE THE CAD MODEL.
  - b. GEOMETRIC DIMENSIONS AND TOLERANCES PER ASME Y14.5M - 1994
  - c. GENERAL TOLERANCES:
    - LINEAR: PER DIN 16901 CODE B FOR PRECISION ENGINEERING
    - ANGULAR:  $\pm 3^\circ$
  - d. EDGES AND UNDIMENSIONED DETAILS PER ISO13715
  - e. CORNERS SHOWN AS SHARP TO BE R 0.2 MAX
  - f. LETTERING SHALL BE 0.1 MAX RAISED IN 0.15 MAX RECESS PAD AND NOT PROTRUDE THE SURFACE. THIS INCLUDES RECYCLING CODE, PLANT AND CAVITY ID, VENDOR ID, CIRCUIT ID, AND PART SERIES NUMBER.
4. DESIGN - FUNCTIONALITY
  - a. HINGE DOES NOT AFFECT FUNCTION OF THE PART.

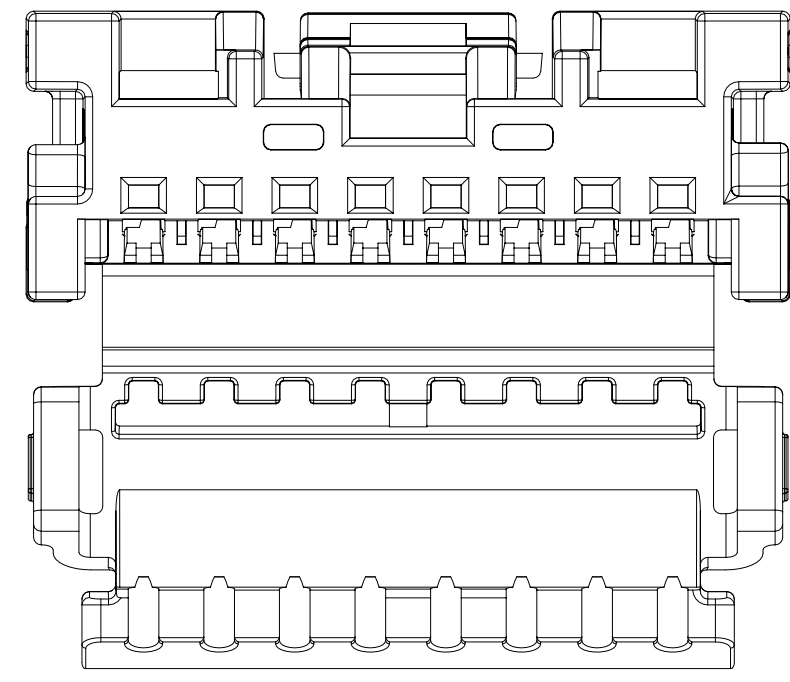
INSPECTION BALLON NUMBER LOG PER DRAWING REVISION: L7	L7	MODELS UPDATED, NO GEOMETRY CHANGE SHEET 4: UPDATED SMALL TERMINAL PN ON TERMINAL BOM SHEET 4: ADDED TAPE AND REEL MATING PNs TO BOM
LAST BALLOON USED: 16	L3	DRAWING REMASTERED SHEET 3: ADDED DIM A FOR PASS THRU SHEET 4: ADDED DIM A TO BOM
ADDED BALLOON NUMBERS:	L2	NX REMASTERING
REMOVED BALLOON NUMBERS:	REV	DESCRIPTION

THIS DRAWING CONTAINS INFORMATION THAT IS PROPRIETARY TO MOLEX ELECTRONIC TECHNOLOGIES, LLC AND SHOULD NOT BE USED WITHOUT WRITTEN PERMISSION		CURRENT REV DESC:					
DIMENSION UNITS	SCALE						
mm	6:1			MINI50 SINGLE ROW RECEPTACLE SALES DWG			
GENERAL TOLERANCES (UNLESS SPECIFIED)				PRODUCT CUSTOMER DRAWING			
ANGULAR TOL	$\pm$	$^\circ$					
4 PLACES	$\pm$						
3 PLACES	$\pm$						
2 PLACES	$\pm$						
1 PLACE	$\pm$						
0 PLACES	$\pm$						
DRAFT WHERE APPLICABLE MUST REMAIN WITHIN DIMENSIONS		THIRD ANGLE PROJECTION	DRAWING	SERIES	MATERIAL NUMBER	CUSTOMER	SHEET NUMBER
			D-SIZE	34791		GENERAL MARKET	1 OF 4

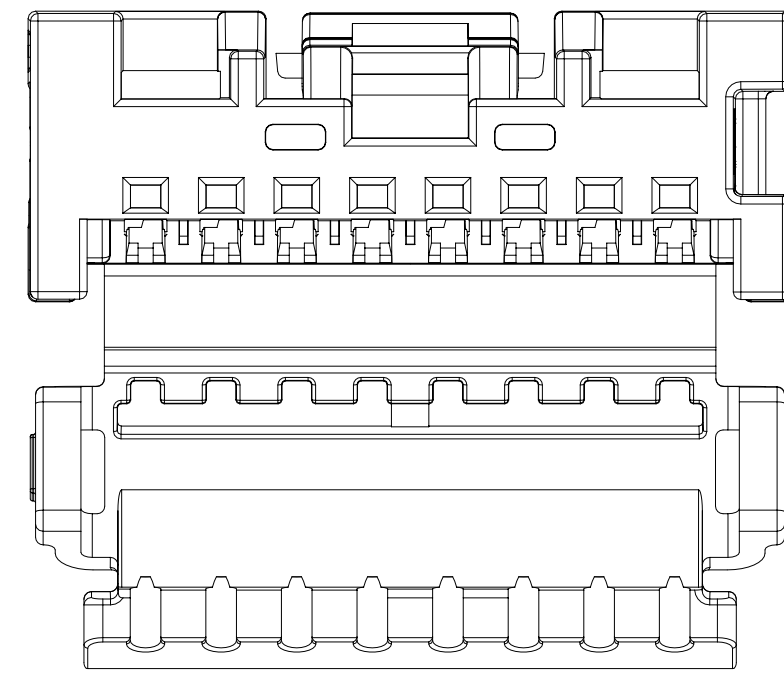




8 CIRCUIT RECEPTACLE NO BRIDGE  
POLARIZATION OPTION A

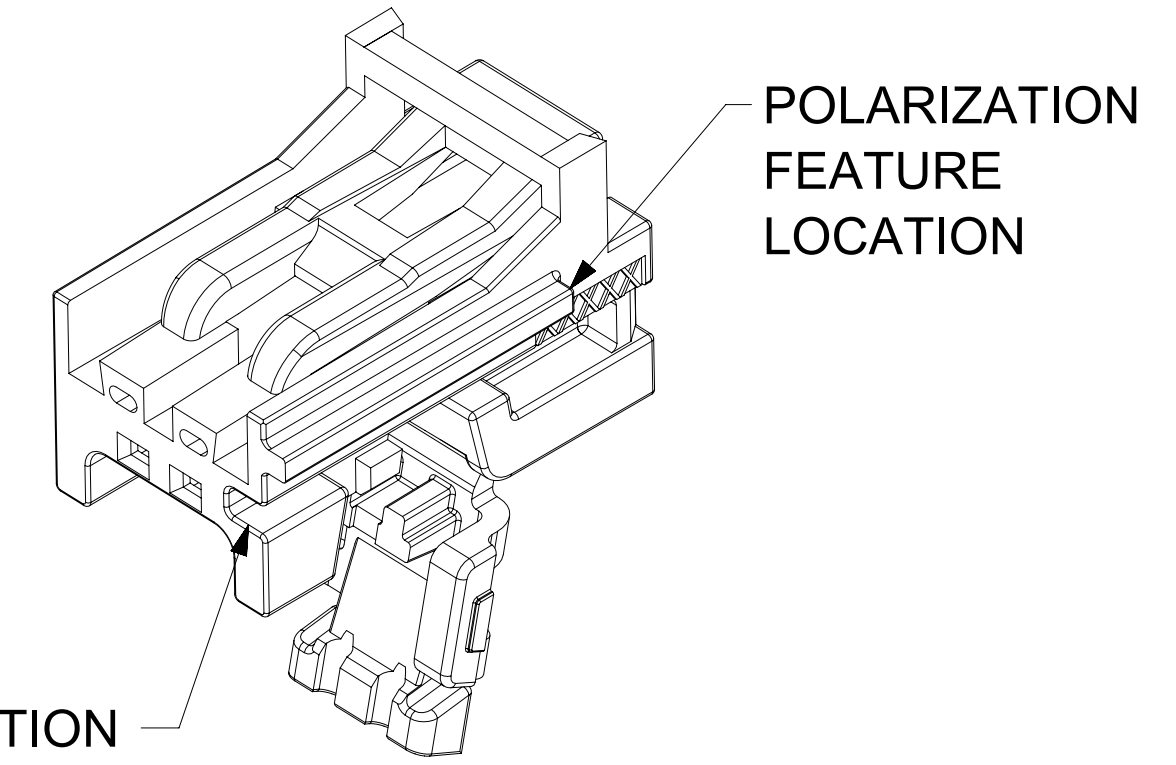


8 CIRCUIT RECEPTACLE NO BRIDGE  
POLARIZATION OPTION B



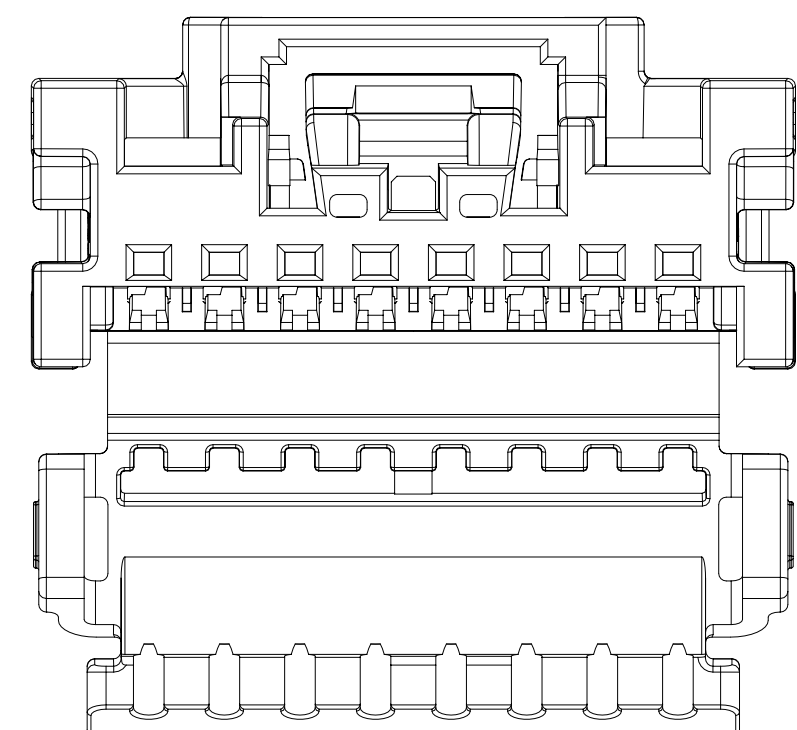
8 CIRCUIT RECEPTACLE NO BRIDGE  
POLARIZATION OPTION C

2 CIRCUIT RECEPTACLE SHOWN  
(AS SHIPPED)

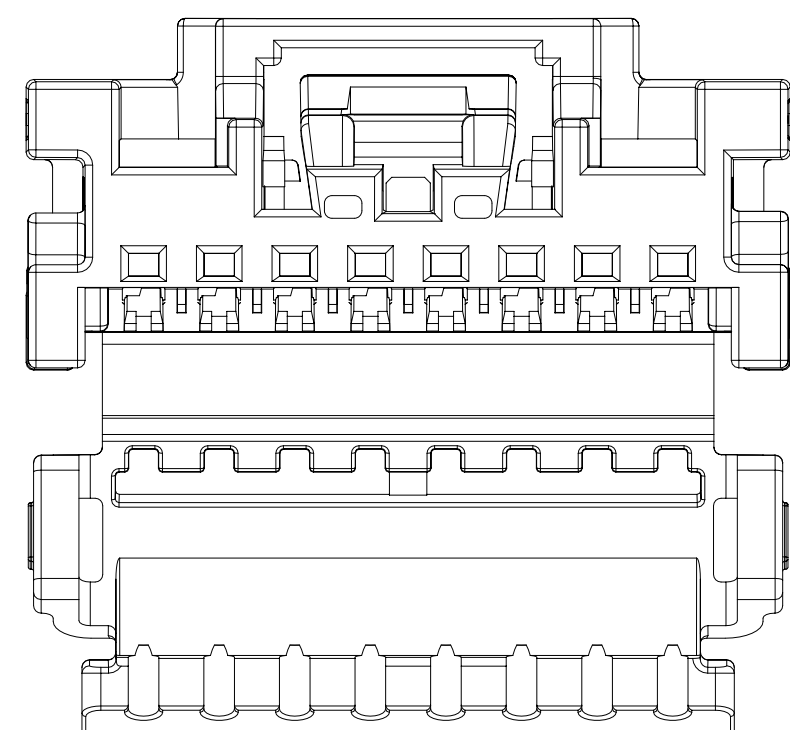


POLARIZATION  
FEATURE  
LOCATION

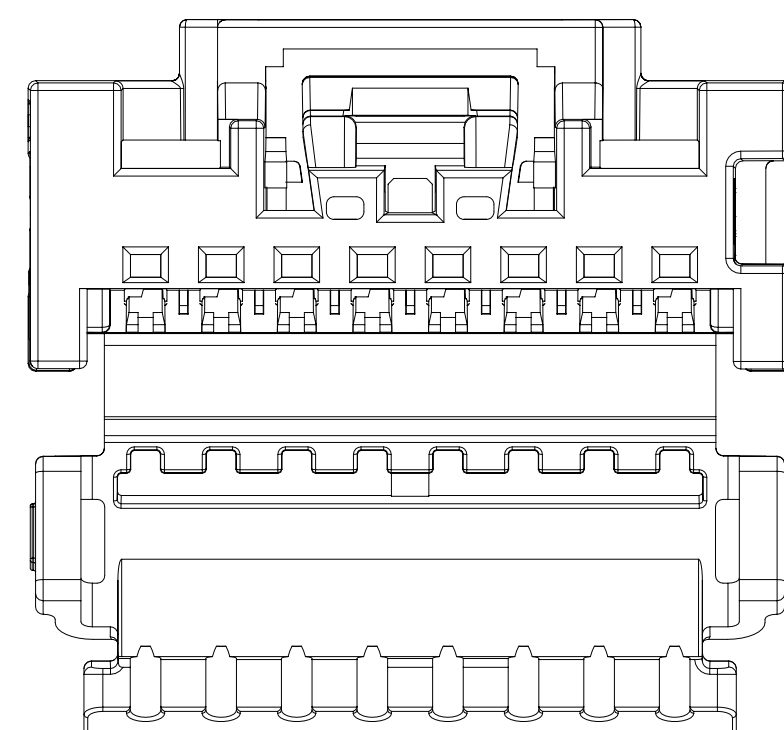
POLARIZATION  
FEATURE  
LOCATION



8 CIRCUIT RECEPTACLE BRIDGED  
POLARIZATION OPTION A

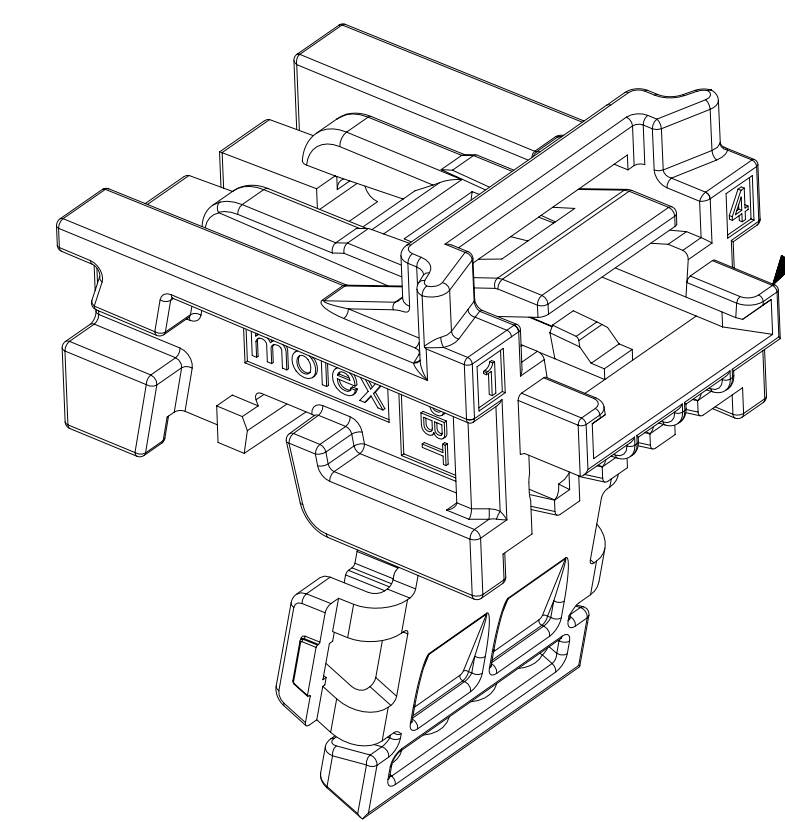


8 CIRCUIT RECEPTACLE BRIDGED  
POLARIZATION OPTION B



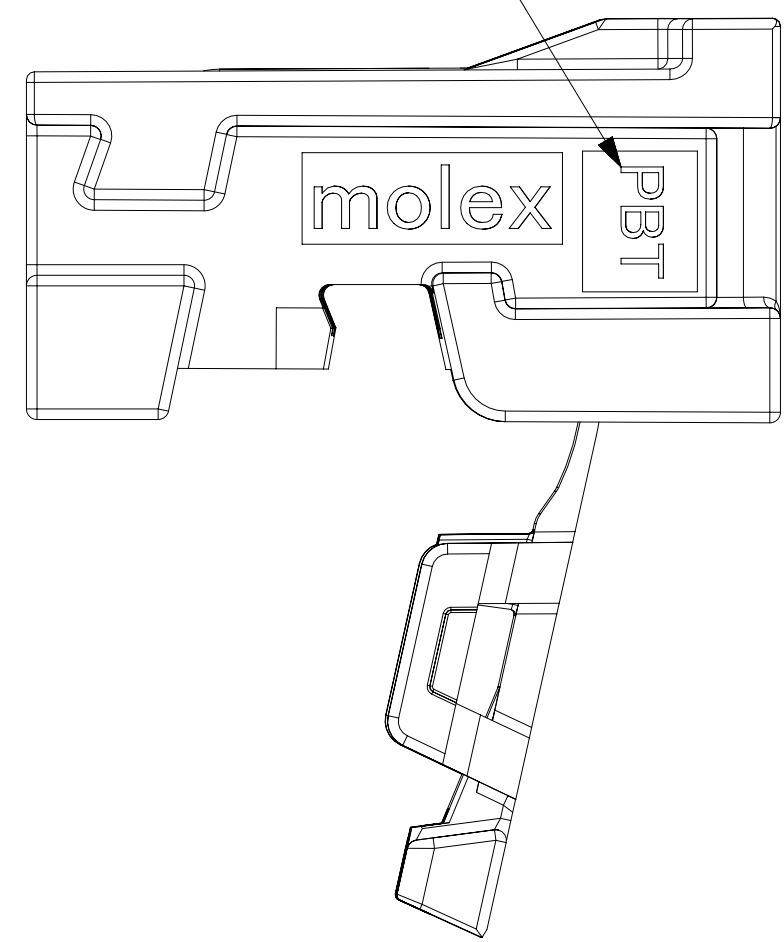
8 CIRCUIT RECEPTACLE BRIDGED  
POLARIZATION OPTION C

4 CIRCUIT RECEPTACLE SHOWN  
(AS SHIPPED)



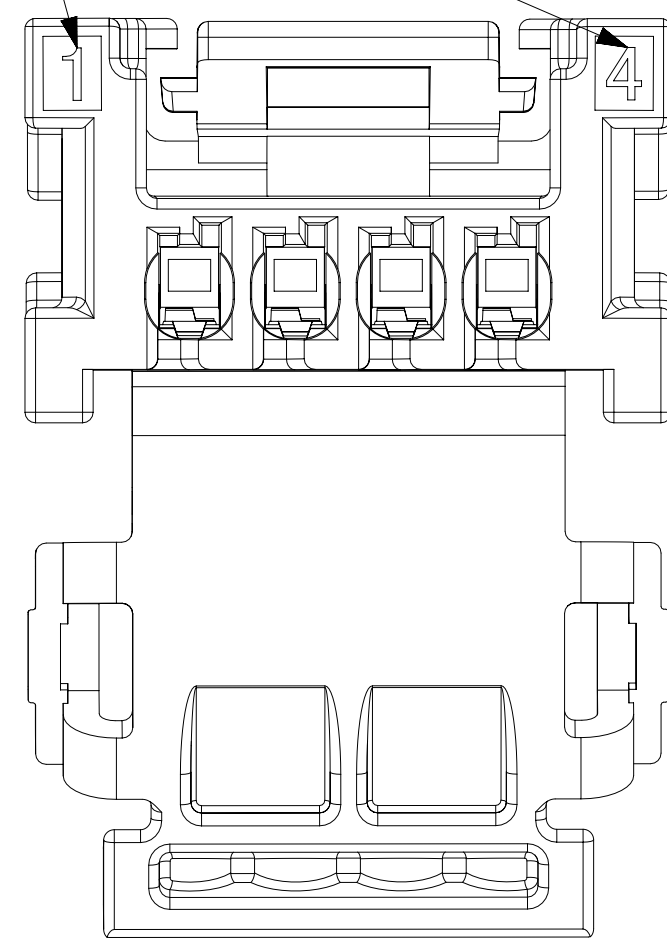
MINI50 WITH BRIDGE OPTION  
COMES WITH CPA TRAY  
REFER TO SD-34824-003 FOR  
CPA-RECEPTACLE ASSEMBLIES

RECYCLING CODE

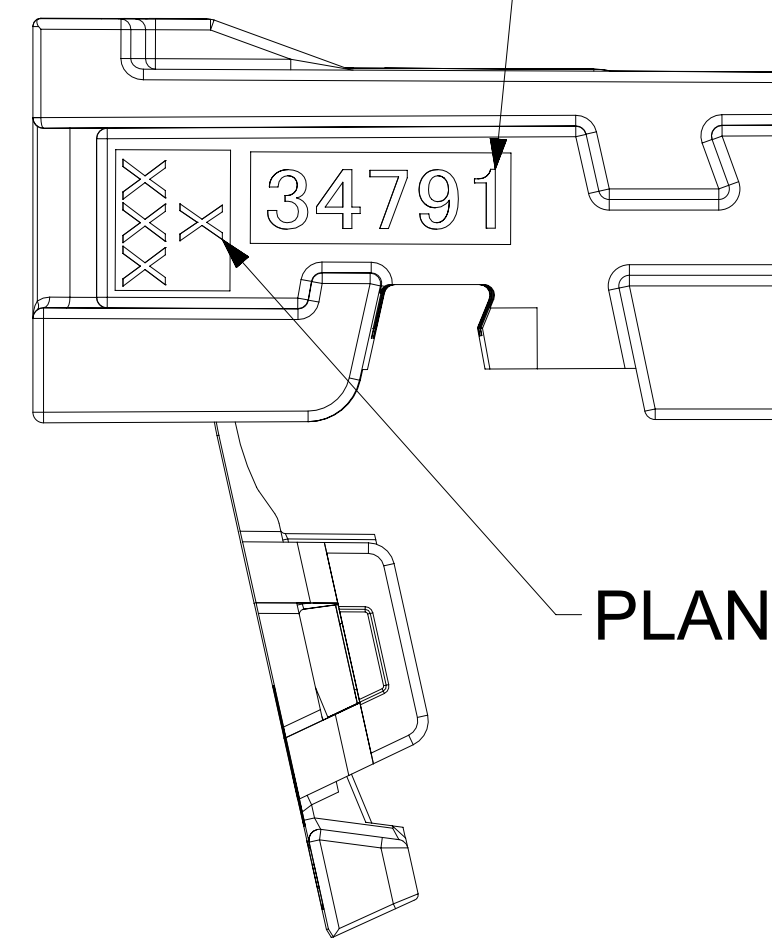


SCALE 7:1

CIRCUIT ID



PART SERIES NUMBER



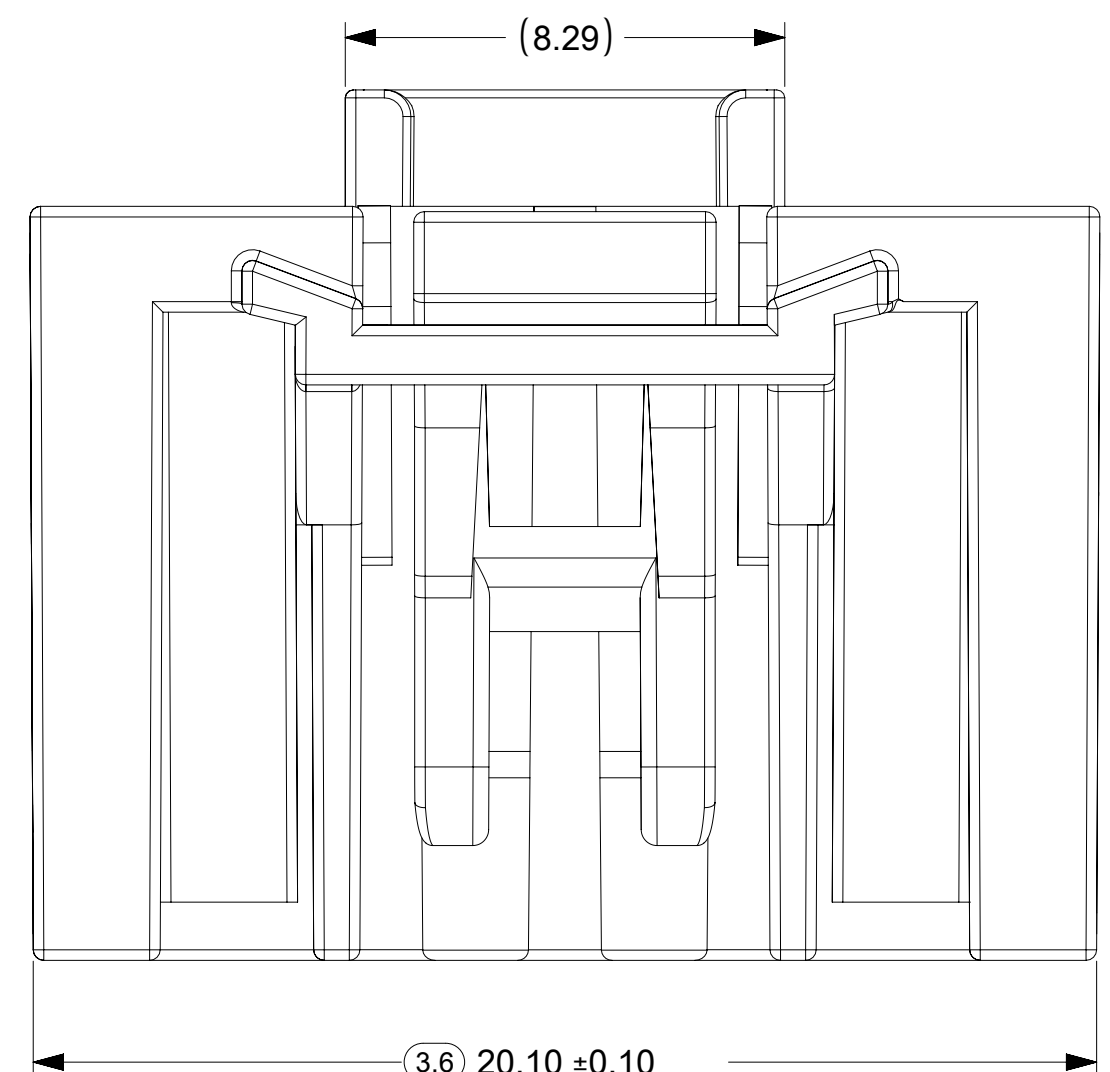
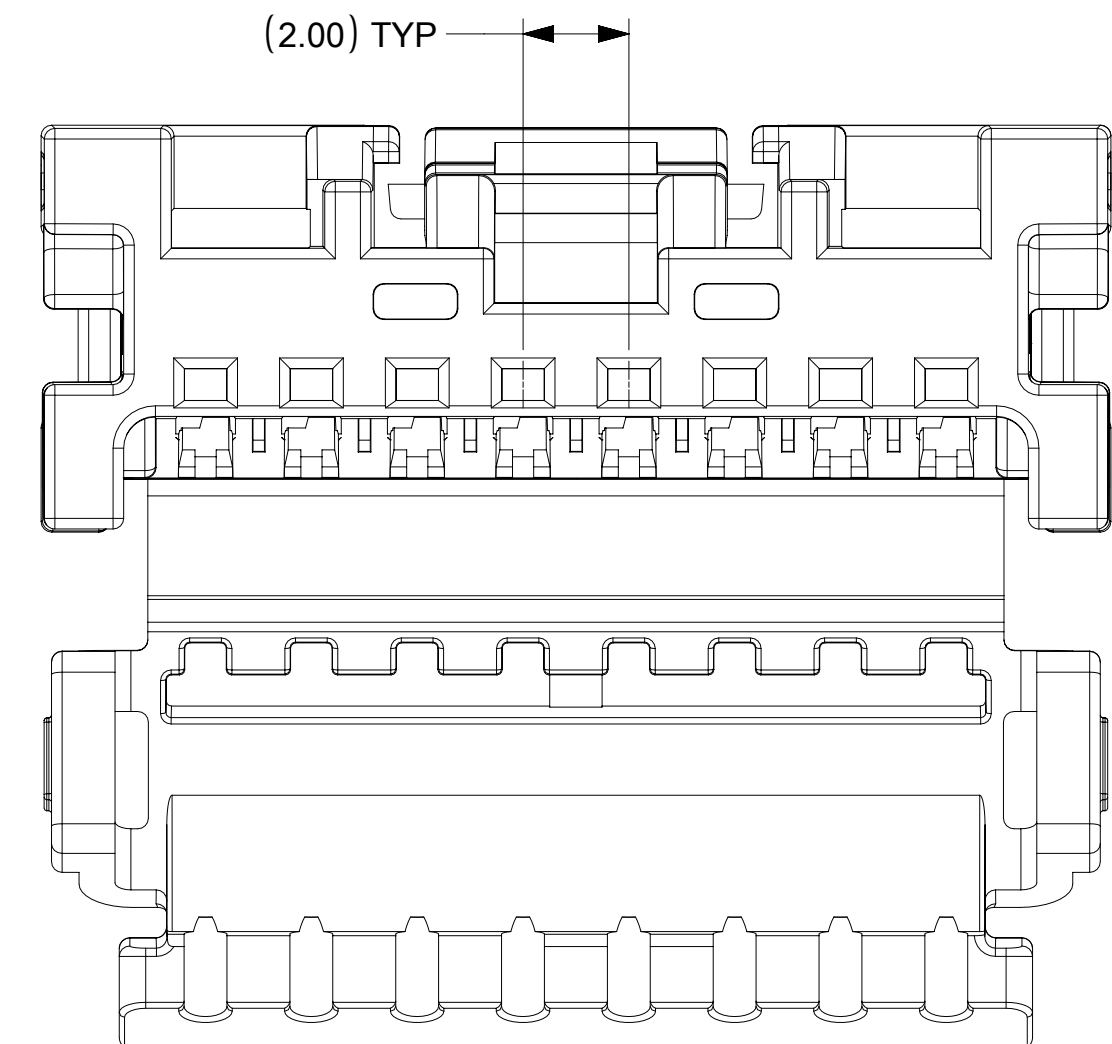
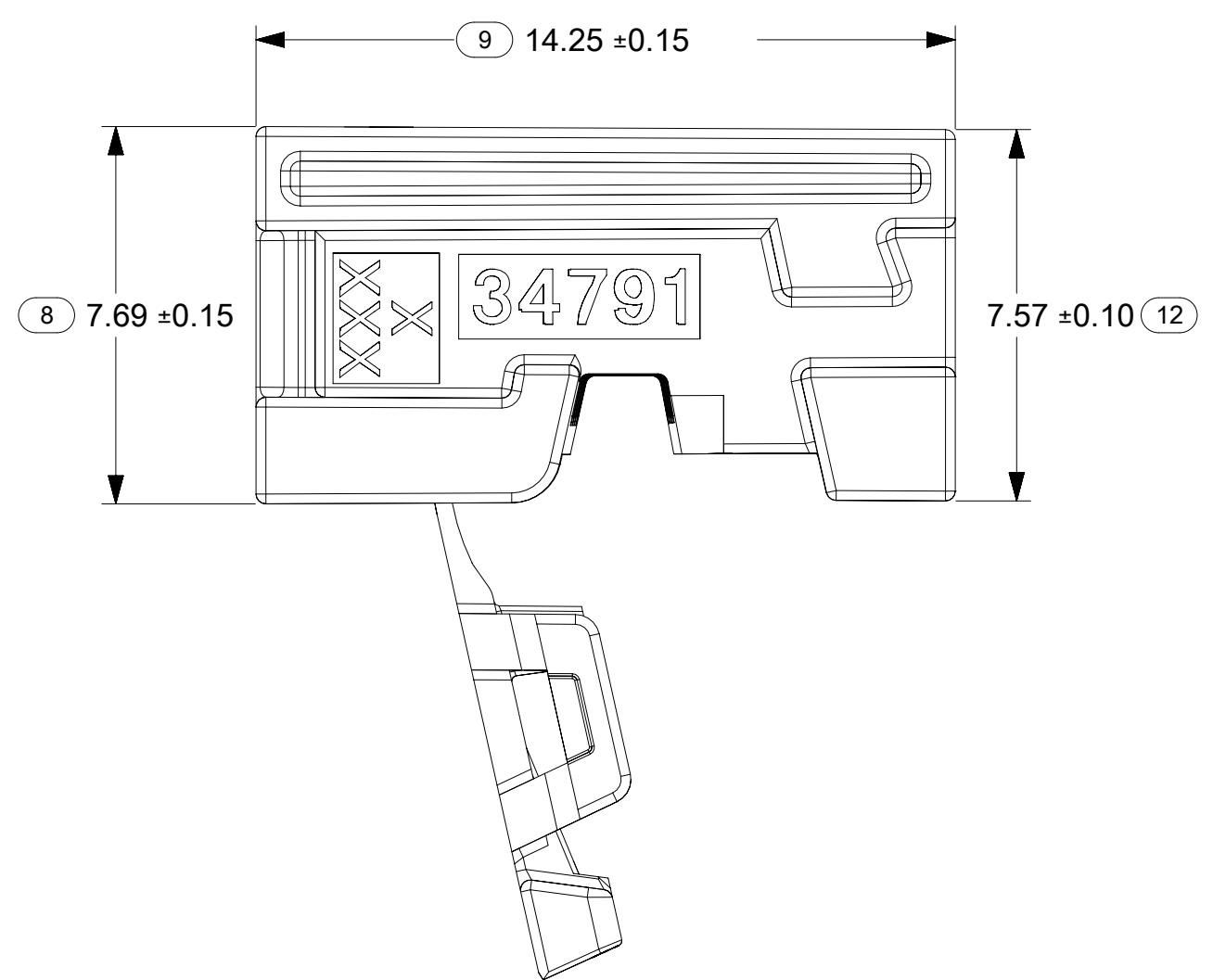
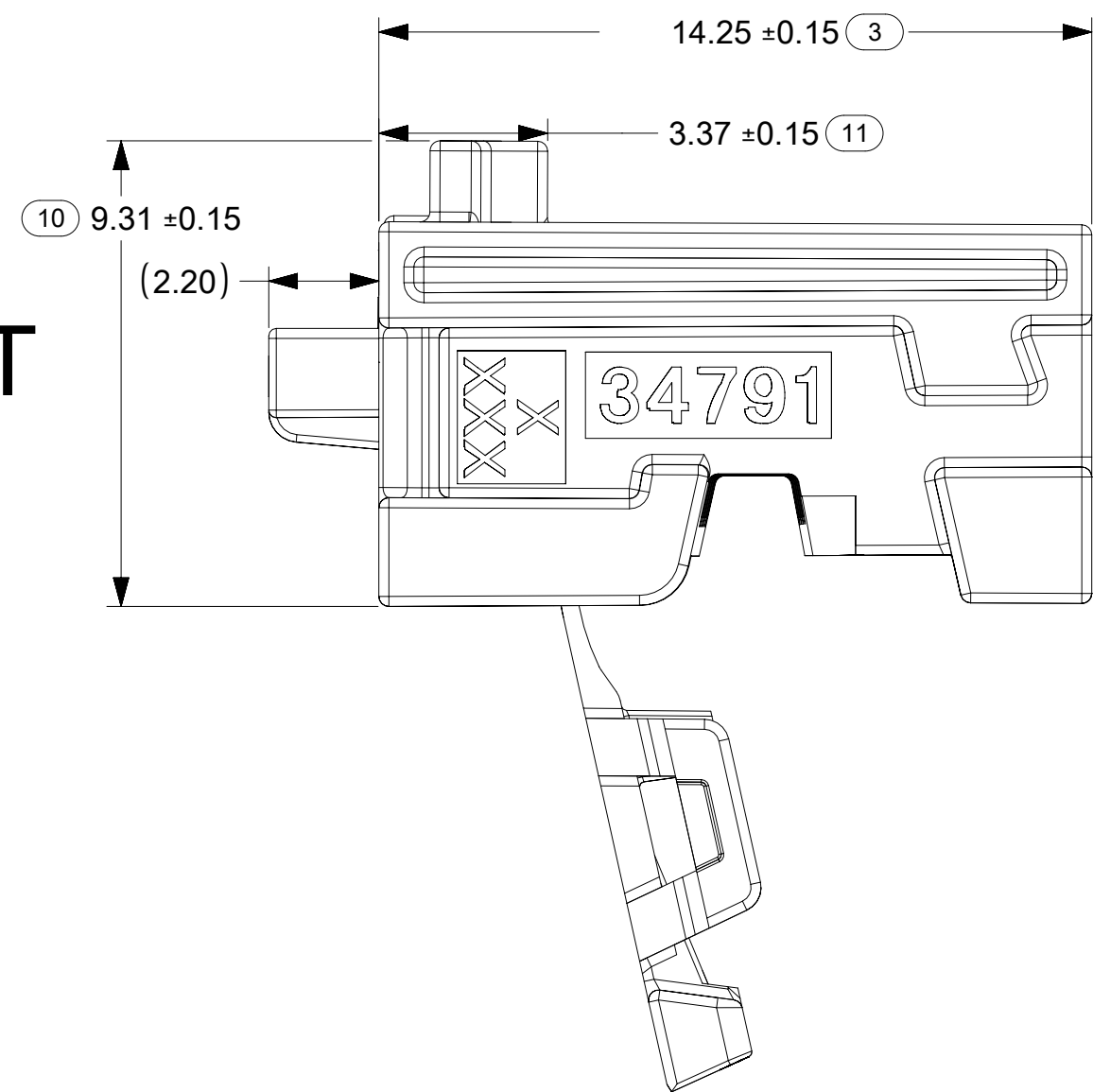
PLANT CODE & CAVITY ID

SCALE 7:1

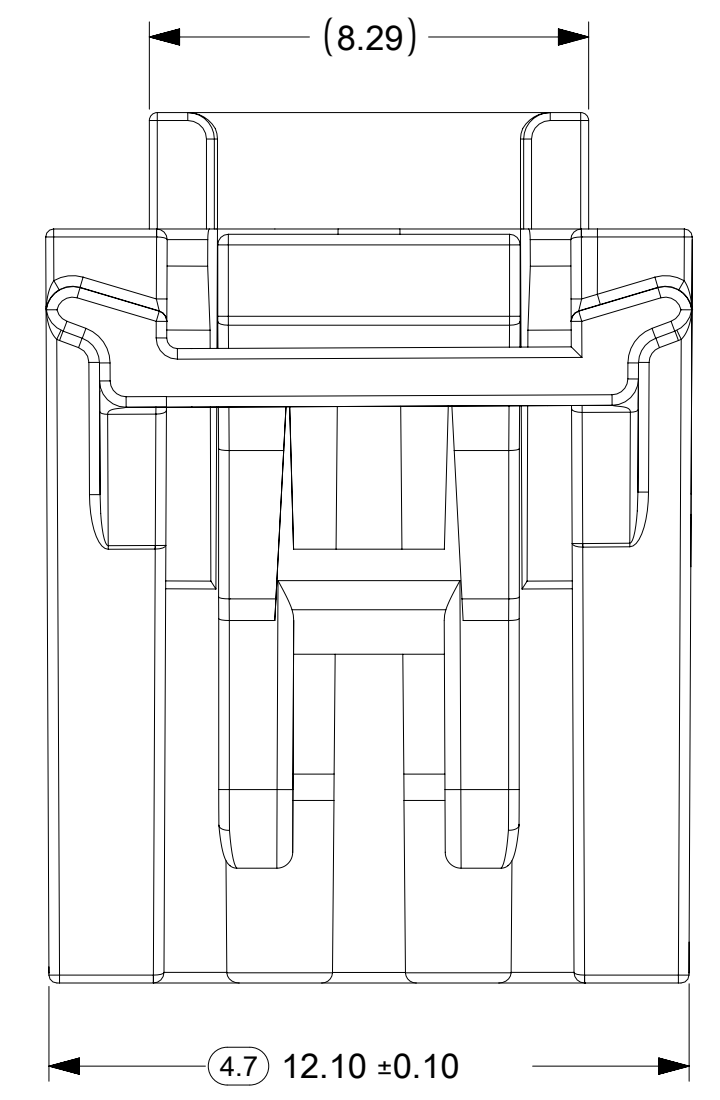
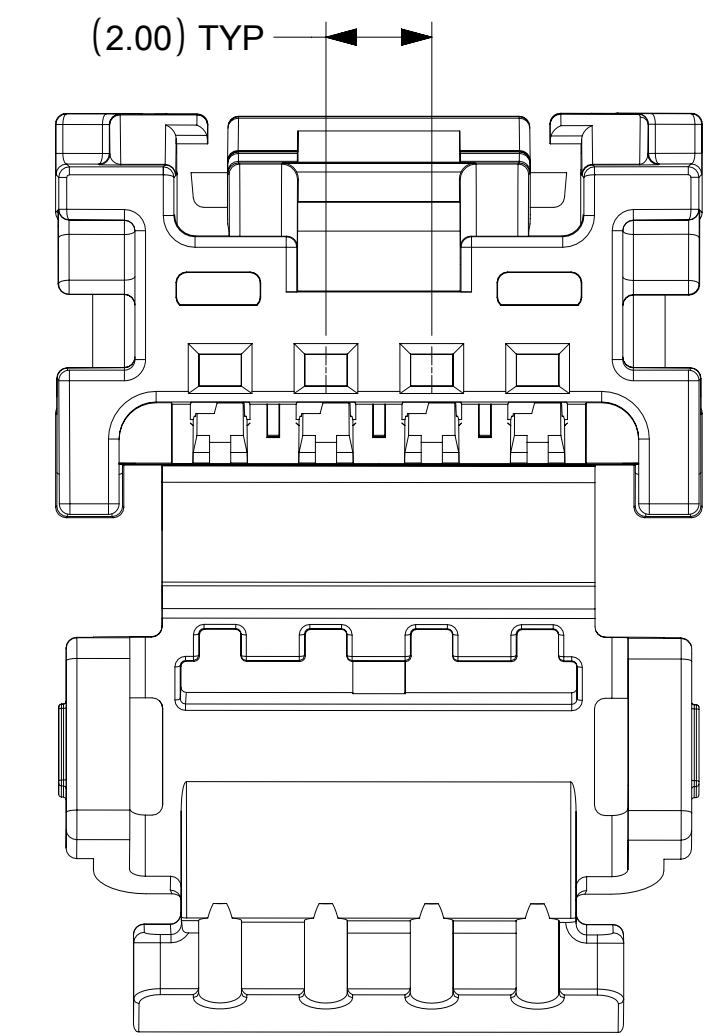
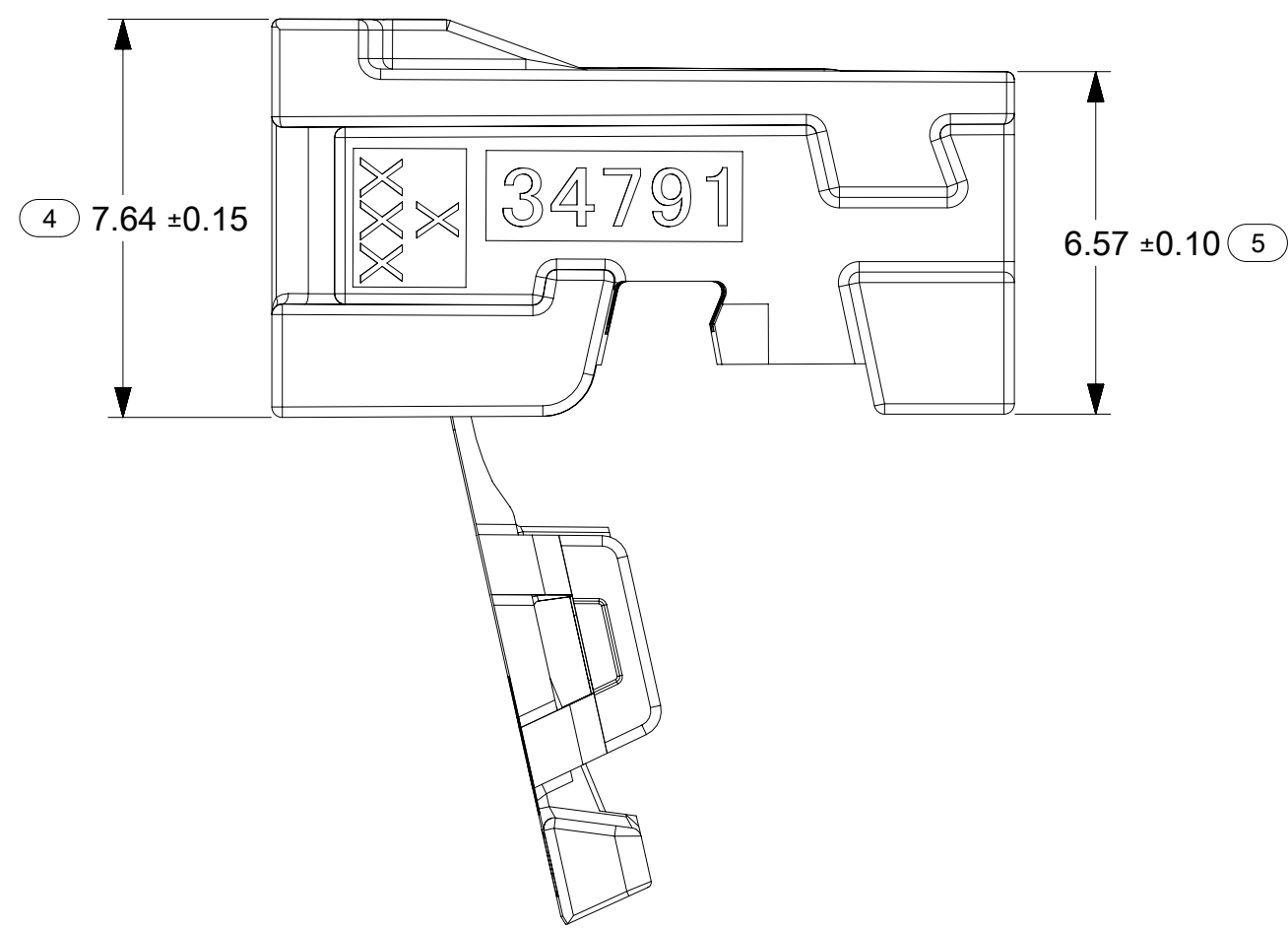
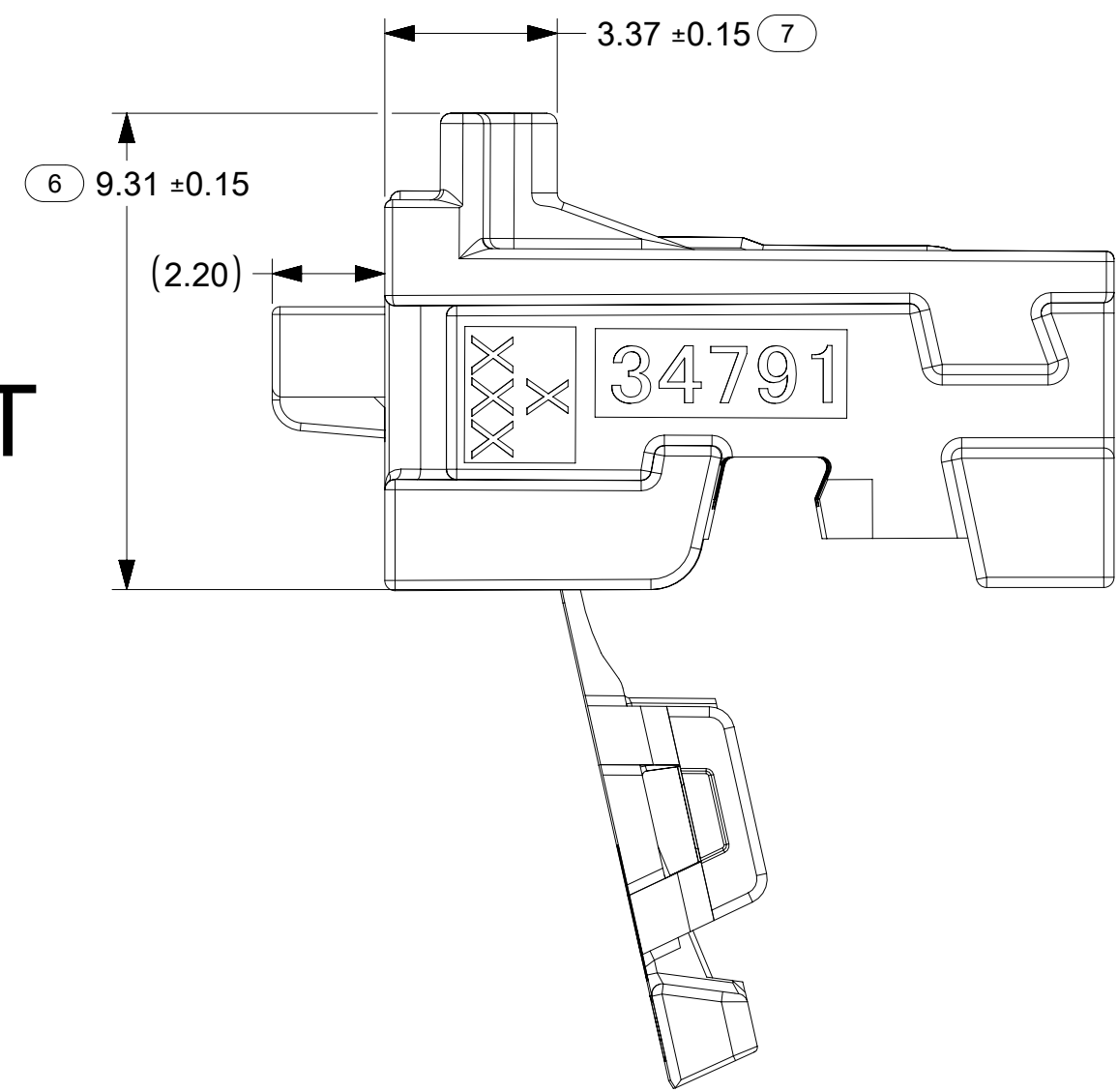
THIS DRAWING CONTAINS INFORMATION THAT IS PROPRIETARY TO MOLEX ELECTRONIC TECHNOLOGIES, LLC AND SHOULD NOT BE USED WITHOUT WRITTEN PERMISSION										
DIMENSION UNITS	SCALE	CURRENT REV DESC:								
mm	5:1									
GENERAL TOLERANCES (UNLESS SPECIFIED)		EC NO: 657933			MINI50 SINGLE ROW RECEPTACLE SALES DWG					
ANGULAR TOL	± °	DRWN: SRUSS 2021/02/11			PRODUCT CUSTOMER DRAWING					
4 PLACES	±	CHK'D: KHEWITT 2021/03/11			DOCUMENT NUMBER					
3 PLACES	±	APPR: JDUNAJ 2021/03/18			SD-34791-001					
2 PLACES	±	INITIAL REVISION:			DOC TYPE					
1 PLACE	±	DRWN: SMAHESHBABU 2017/02/22			PSD					
0 PLACES	±	APPR: TMACHUGA 2017/05/04			000					
DRAFT WHERE APPLICABLE MUST REMAIN WITHIN DIMENSIONS		THIRD ANGLE PROJECTION	DRAWING	SERIES	MATERIAL NUMBER			CUSTOMER		SHEET NUMBER
			D-SIZE	34791	GENERAL MARKET			2 OF 4		

NOTE: KEY A SHOWN AS REFERENCE

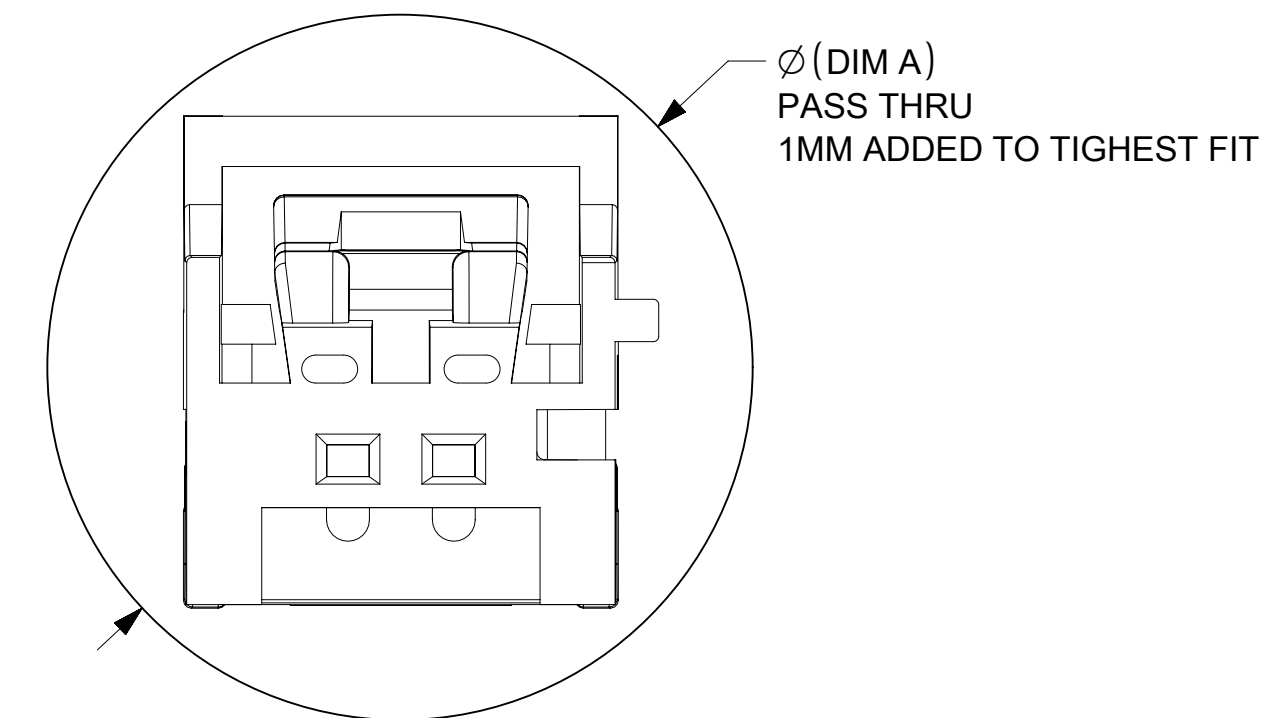
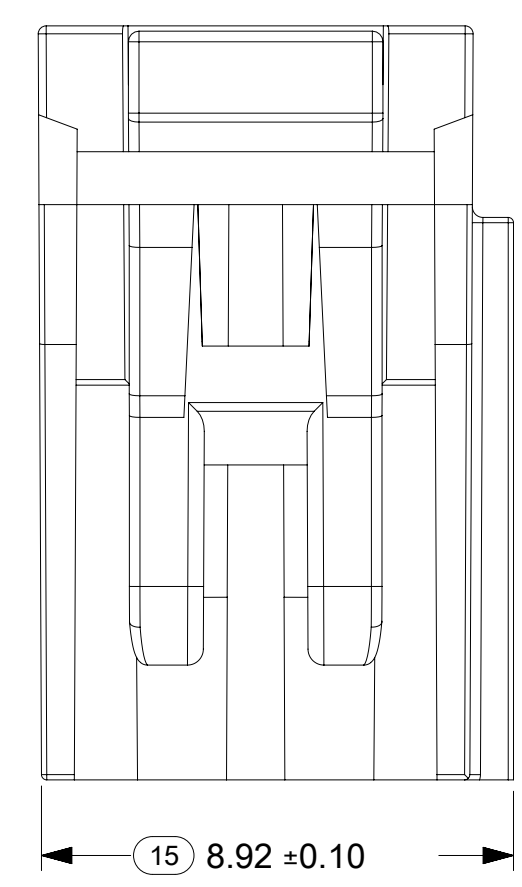
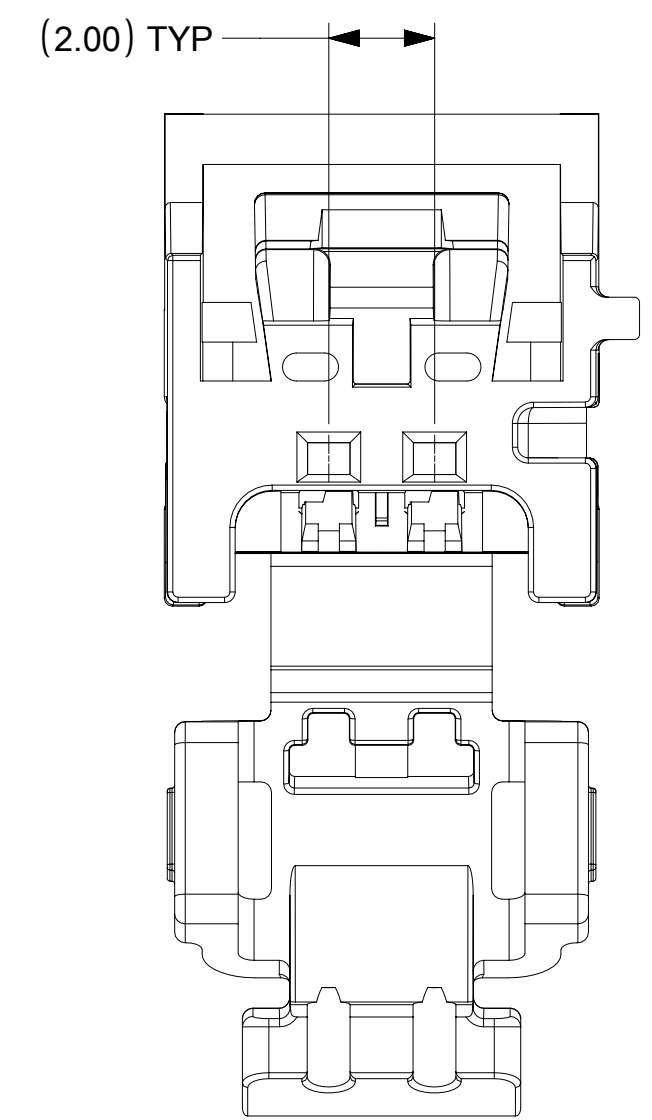
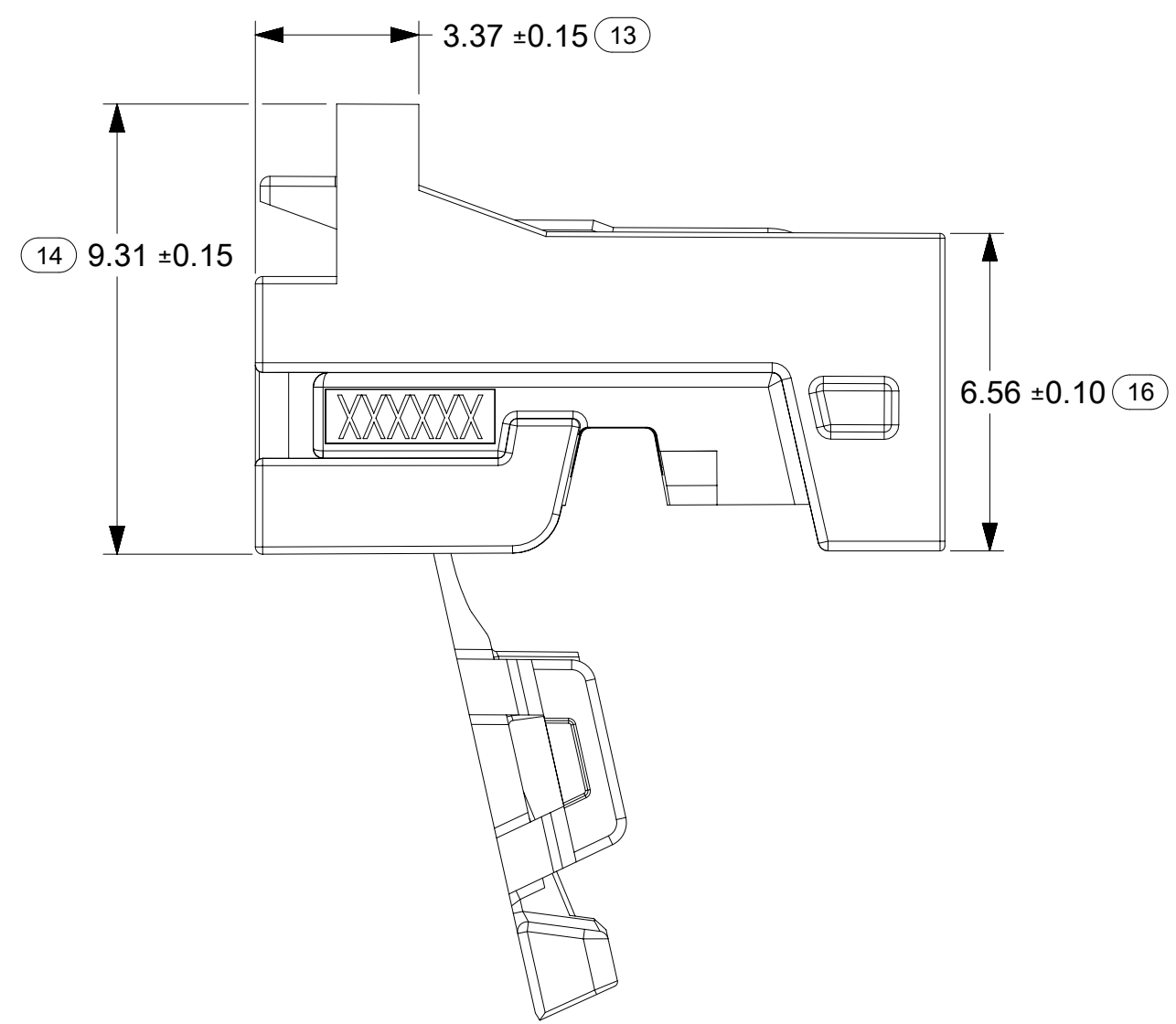
### 8 CIRCUIT



### 4 CIRCUIT



### 2 CIRCUIT



THIS DRAWING CONTAINS INFORMATION THAT IS PROPRIETARY TO MOLEX ELECTRONIC TECHNOLOGIES, LLC AND SHOULD NOT BE USED WITHOUT WRITTEN PERMISSION									
DIMENSION UNITS		SCALE		CURRENT REV DESC:					
mm		7:1							
GENERAL TOLERANCES (UNLESS SPECIFIED)									
ANGULAR TOL ± °									
4 PLACES ±		EC NO: 657933		2021/02/11					
3 PLACES ±		DRWN: SRUSS		2021/03/11					
2 PLACES ±		CHK'D: KHEWITT		2021/03/18					
1 PLACE ±		APPR: JDUNAJ		INITIAL REVISION:					
0 PLACES ±		DRWN: SMAHESHBABU		2017/02/22		2017/05/04			
DRAFT WHERE APPLICABLE MUST REMAIN WITHIN DIMENSIONS		THIRD ANGLE PROJECTION		DRAWING		SERIES		MATERIAL NUMBER	
		D-SIZE		34791		GENERAL MARKET		SHEET NUMBER	
DOCUMENT STATUS		P1		RELEASE DATE		2021/03/18		20:06:04	
Downloaded From		Oneys.com							

**molex**

MINI50 SINGLE ROW RECEPTACLE SALES DWG

PRODUCT CUSTOMER DRAWING

DOCUMENT NUMBER: SD-34791-001  
DOC TYPE: PSD  
DOC PART: 000  
REVISION: L7

CUSTOMER: GENERAL MARKET  
SHEET NUMBER: 3 OF 4





# MINI50 RECEPTACLES

MATERIAL NUMBER BULK PACKAGING PK-31301-538	LOCK BRIDGE OPTION	CONFIGURATION	CIRCUIT	POL	COLOR	DIM A	MATING COMPONENT									
							SURFACE MOUNT TECHNOLOGY (SMT) HEADER-TIN		SURFACE MOUNT TECHNOLOGY (SMT) HEADER-GOLD		VERTICAL THRU HOLE HEADER			RIGHT ANGLE THRU HOLE HEADERS		
							TAPE AND REEL PACKAGING PK-31301-786	TUBE PACKAGING PK-31301-688	TAPE AND REEL PACKAGING PK-31301-786	TUBE PACKAGING PK-31301-688	TRAY PACKAGING PK-31301-440	TUBE PACKAGING PK-31301-688	TAPE AND REEL PACKAGING PK-47799-0001	TRAY PACKAGING PK-31301-440	TUBE PACKAGING PK-31301-688	TAPE AND REEL PACKAGING PK-47799-0001
34791-0040	NO	USCAR COMPATIBLE	4	A	BLACK	15.26	34912-8040	34912-9040	34912-6040	34912-5040	34792-0040	34792-9040	34792-8040	34793-0040	34793-9040	34793-8040
34791-0041	NO	USCAR COMPATIBLE	4	B	GRAY		34912-8041	34912-9041	34912-6041	34912-5041	34792-0041	34792-9041	34792-8041	34793-0041	34793-9041	34793-8041
34791-0042	NO	USCAR COMPATIBLE	4	C	DARK GRAY		34912-8042	34912-9042	34912-6042	34912-5042	34792-0042	34792-9042	34792-8042	34793-0042	34793-9042	34793-8042
34791-0043	NO	USCAR COMPATIBLE	4	D	GREEN		34912-8043	34912-9043	34912-6043	34912-5043	34792-0043	34792-9043	34792-8043	34793-0043	34793-9043	34793-8043
34791-0080	NO	USCAR COMPATIBLE	8	A	BLACK	22.52	34912-8080	34912-9080	34912-6080	34912-5080	34792-0080	34792-9080	34792-8080	34793-0080	34793-9080	34793-8080
34791-0081	NO	USCAR COMPATIBLE	8	B	GRAY		34912-8081	34912-9081	34912-6081	34912-5081	34792-0081	34792-9081	34792-8081	34793-0081	34793-9081	34793-8081
34791-0082	NO	USCAR COMPATIBLE	8	C	DARK GRAY		34912-8082	34912-9082	34912-6082	34912-5082	34792-0082	34792-9082	34792-8082	34793-0082	34793-9082	34793-8082
34791-0140	YES	USCAR COMPATIBLE	4	A	BLACK		16.09	34912-8040	34912-9040	34912-6040	34912-5040	34792-0040	34792-9040	34792-8040	34793-0040	34793-9040
34791-0141	YES	USCAR COMPATIBLE	4	B	GRAY	34912-8041		34912-9041	34912-6041	34912-5041	34792-0041	34792-9041	34792-8041	34793-0041	34793-9041	34793-8041
34791-0142	YES	USCAR COMPATIBLE	4	C	DARK GRAY	34912-8042		34912-9042	34912-6042	34912-5042	34792-0042	34792-9042	34792-8042	34793-0042	34793-9042	34793-8042
34791-0143	YES	USCAR COMPATIBLE	4	D	GREEN	34912-8043		34912-9043	34912-6043	34912-5043	34792-0043	34792-9043	34792-8043	34793-0043	34793-9043	34793-8043
34791-0180	YES	USCAR COMPATIBLE	8	A	BLACK	22.52	34912-8080	34912-9080	34912-6080	34912-5080	34792-0080	34792-9080	34792-8080	34793-0080	34793-9080	34793-8080
34791-0181	YES	USCAR COMPATIBLE	8	B	GRAY		34912-8081	34912-9081	34912-6081	34912-5081	34792-0081	34792-9081	34792-8081	34793-0081	34793-9081	34793-8081
34791-0182	YES	USCAR COMPATIBLE	8	C	DARK GRAY		34912-8082	34912-9082	34912-6082	34912-5082	34792-0082	34792-9082	34792-8082	34793-0082	34793-9082	34793-8082
34791-0020	YES	MOLEX	2	A	BLACK		13.33	34912-8020	34912-9020	34912-6020	34912-5020	N/A	N/A	N/A	N/A	N/A
34791-0021	YES	MOLEX	2	B	GRAY	34912-8021		34912-9021	34912-6021	34912-5021	N/A	N/A	N/A	N/A	N/A	N/A
34791-0022	YES	MOLEX	2	C	DARK GRAY	34912-8022		34912-9022	34912-6022	34912-5022	N/A	N/A	N/A	N/A	N/A	N/A
34791-0023	YES	MOLEX	2	D	GREEN	34912-8023		34912-9023	34912-6023	34912-5023	N/A	N/A	N/A	N/A	N/A	N/A

## CTX50 UNSEALED RECEPTACLE TERMINALS

PART NUMBER		MATERIAL	WIRE GAGE (mm <sup>2</sup> )	GRIP
D-WIND (LEFT PAYOFF)	B-WIND (RIGHT PAYOFF)			
560023-0448	560023-0450	COPPER ALLOY	0.35	LARGE
560023-0421	560023-0423	COPPER ALLOY	0.22	MEDIUM
560023-0444	560023-0445	COPPER ALLOY	0.13	SMALL

THIS DRAWING CONTAINS INFORMATION THAT IS PROPRIETARY TO MOLEX ELECTRONIC TECHNOLOGIES, LLC AND SHOULD NOT BE USED WITHOUT WRITTEN PERMISSION

DIMENSION UNITS <b>mm</b>	SCALE <b>7:1</b>	CURRENT REV DESC:						
GENERAL TOLERANCES (UNLESS SPECIFIED)								
ANGULAR TOL ± °		EC NO: 657933 DRWN: SRUSS 2021/02/11 CHK'D: KHEWITT 2021/03/11 APPR: JDUNAJ 2021/03/18	MINI50 SINGLE ROW RECEPTACLE SALES DWG					
4 PLACES ±			PRODUCT CUSTOMER DRAWING					
3 PLACES ±			INITIAL REVISION: DRWN: SMAHESHBABU 2017/02/22 APPR: TMACHUGA 2017/05/04	DOCUMENT NUMBER	DOC TYPE	DOC PART	REVISION	
2 PLACES ±				<b>SD-34791-001</b>	PSD	000	L7	
1 PLACE ±		DRAFT WHERE APPLICABLE MUST REMAIN WITHIN DIMENSIONS	THIRD ANGLE PROJECTION		DRAWING	SERIES		
0 PLACES ±					<b>D-SIZE</b>	<b>34791</b>	MATERIAL NUMBER	CUSTOMER
DOCUMENT STATUS		P1	RELEASE DATE	2021/03/18	20:06:04	GENERAL MARKET		4 OF 4

单击下面可查看定价，库存，交付和生命周期等信息

[>>MOLEX](#)