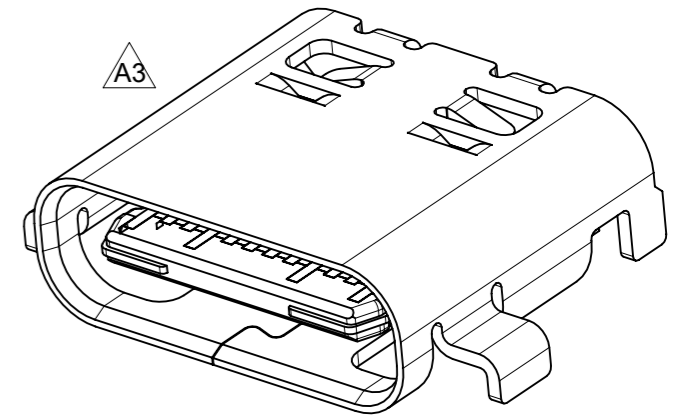
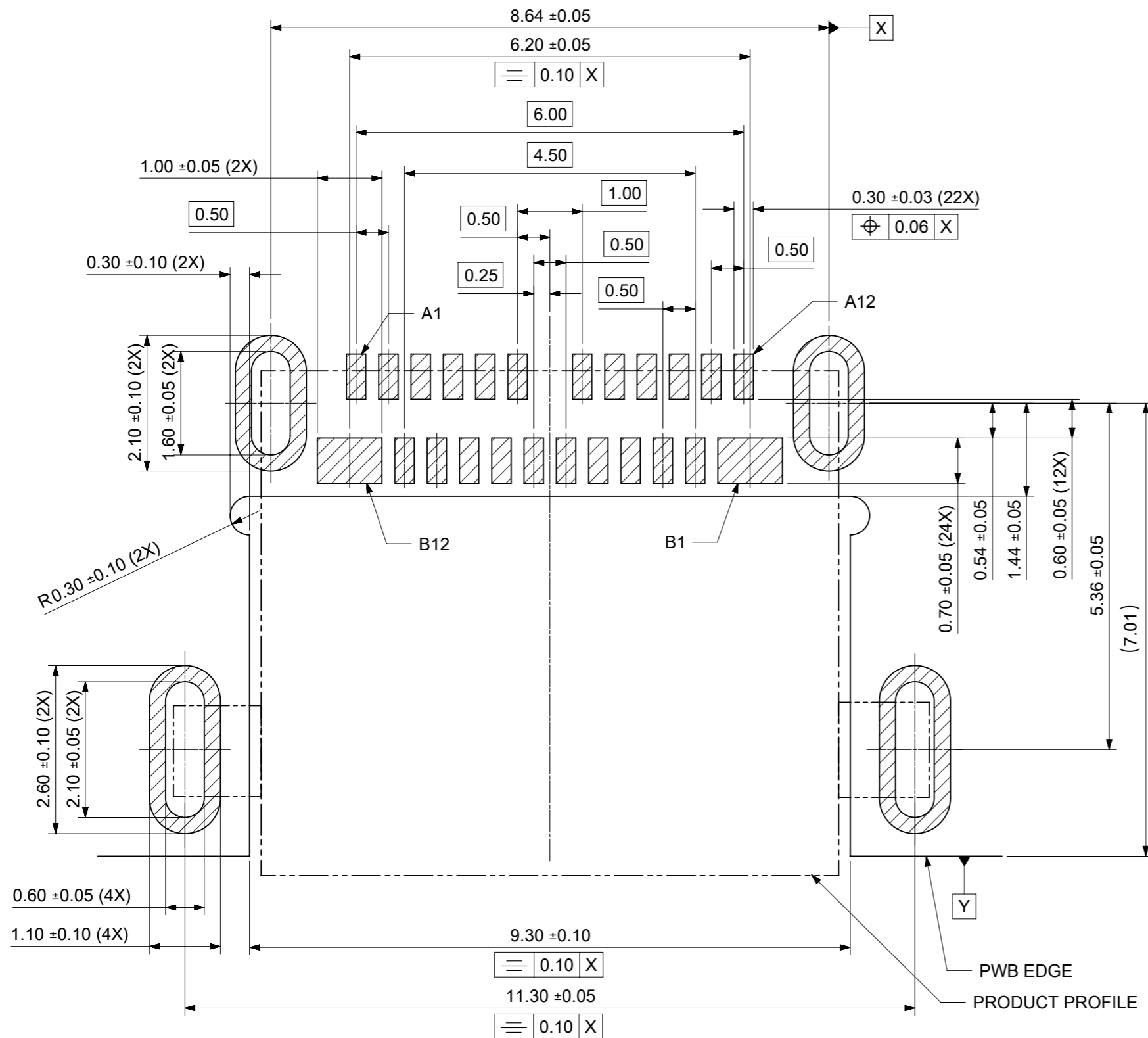


| PART NO. | L |
|------------|------|
| 1054550101 | 0.70 |
| 1054550102 | 0.50 |

THIS DRAWING CONTAINS INFORMATION THAT IS PROPRIETARY TO MOLEX ELECTRONIC TECHNOLOGIES, LLC AND SHOULD NOT BE USED WITHOUT WRITTEN PERMISSION

| | | | | | |
|--|------------------------|---|----------------------------------|-----------------|----------------|
| DIMENSION UNITS | SCALE | CURRENT REV DESC: REMOVE THE DIMPLE ON THE SHELL. | molex | | |
| mm | 8:1 | | | | |
| GENERAL TOLERANCES (UNLESS SPECIFIED) | | | USB TYPE C REC MIDDLE MOUNT TYPE | | |
| ANGULAR TOL | ± 3.0° | EC NO: 730726 | PRODUCT CUSTOMER DRAWING | | |
| 4 PLACES | ± | DRWN: FYANG05 2022/11/18 | DOCUMENT NUMBER | | |
| 3 PLACES | ± | CHK'D: RLI09 2022/12/06 | SD-105455-001 | | |
| 2 PLACES | ± 0.2 | APPR: RLI09 2022/12/06 | DOC TYPE DOC PART REVISION | | |
| 1 PLACE | ± 0.2 | INITIAL REVISION: | PSD 001 A3 | | |
| 0 PLACES | ± | DRWN: RZHANG 2015/11/05 | MATERIAL NUMBER | | |
| | | APPR: RZHANG 2017/04/11 | CUSTOMER | | |
| DRAFT WHERE APPLICABLE MUST REMAIN WITHIN DIMENSIONS | THIRD ANGLE PROJECTION | DRAWING | SERIES | MATERIAL NUMBER | CUSTOMER |
| | | A3-SIZE | 105455 | SEE CHART | GENERAL MARKET |
| | | | | | SHEET NUMBER |
| | | | | | 1 OF 2 |



- NOTES:
- MATERIAL,
HOUSING: HIGH TEMPERATURE THERMAL PLASTIC ,
30% GLASS FILLED, BLACK, UL94V-0.
TERMINAL: COPPER ALLOY
SHELL: STAINLESS STEEL
INNER SHELL: STAINLESS STEEL
MIDDLE BLADE: STAINLESS STEEL
 - PLATING:
TERMINAL: CONTACT AREA: GOLD FLASH (0.05 MIN.)
OVER 0.75 MICROMETER MIN. PALLADIUM/NICKEL PLATING
SOLDER TAIL: 0.05 MICROMETER MIN. GOLD PLATING
UNDER PLATING: 1.5 MICROMETER MIN. NICKEL PLATING OVERALL
SHELL: 1.5 MICRON MIN. SOLDERABLE NICKEL PLATING OVERALL
INNER SHELL: CLEANING
MIDDLE BLADE: GOLD FLASH PLATING ON THE SOLDER TAIL
AND 1 MICROMETER NICKEL PLATING OVERALL
 - PRODUCT SPEC REFER TO PS-105448-001
 - PACKAGE SPEC REFER TO PK-105455-001
 - COPLANARITY OF SMT PINS SOLDER TAIL IS 0.10 MAX.
BEFORE AND AFTER REFLOW
 - T/H SOLDER TAIL POSITION BE CONTROLLED BY GAUGE
 - PRODUCT COMPLANT TO ROHS DIERTIVE 2011/65/EU
AND ELV DIRECTIVE 2000/53/EC

RECOMMENDED PWB LAYOUT

| PIN ASSIGNMENT | | | | | | | | | | | | BLADE | SHELL |
|----------------|------|------|------|------|----|----|------|------|------|------|-----|-------|-------|
| A1 | A2 | A3 | A4 | A5 | A6 | A7 | A8 | A9 | A10 | A11 | A12 | | |
| GND | TX1+ | TX1- | VBUS | CC1 | D+ | D- | SBU1 | VBUS | RX2- | RX2+ | GND | | |
| GND | RX1+ | RX1- | VBUS | SBU2 | D- | D+ | CC2 | VBUS | TX2- | TX2+ | GND | GND | GND |
| B12 | B11 | B10 | B9 | B8 | B7 | B6 | B5 | B4 | B3 | B2 | B1 | | |

| | | | | | | | | | | | |
|---|--------|--|---------|--------|-----------------|----------------|--------------|--|--|----------|--|
| THIS DRAWING CONTAINS INFORMATION THAT IS PROPRIETARY TO MOLEX ELECTRONIC TECHNOLOGIES, LLC AND SHOULD NOT BE USED WITHOUT WRITTEN PERMISSION | | | | | | | | | | | |
| DIMENSION UNITS | SCALE | CURRENT REV DESC: REMOVE THE DIMPLE ON THE SHELL. | | | | | | | | | |
| mm | 12:1 | | | | | | | | | | |
| GENERAL TOLERANCES (UNLESS SPECIFIED) | | | | | | | | | | | |
| ANGULAR TOL | ± 3.0° | EC NO: 730726 DRWN: FYANG05 2022/11/18 CHK'D: RLI09 2022/12/06 APPR: RLI09 2022/12/06 | | | | | | | | | |
| 4 PLACES | ± | INITIAL REVISION: | | | | | | | | | |
| 3 PLACES | ± | DRWN: RZHANG 2015/11/05 | | | | | | | | | |
| 2 PLACES | ± 0.2 | APPR: RZHANG 2017/04/11 | | | | | | | | | |
| 1 PLACE | ± 0.2 | DOCUMENT NUMBER | | | | | | | | | |
| 0 PLACES | ± | SD-105455-001 | | | | | | | | | |
| DRAFT WHERE APPLICABLE MUST REMAIN WITHIN DIMENSIONS | | THIRD ANGLE PROJECTION | DRAWING | SERIES | MATERIAL NUMBER | CUSTOMER | SHEET NUMBER | | | REVISION | |
| | | | A3-SIZE | 105455 | SEE CHART | GENERAL MARKET | 2 OF 2 | | | A3 | |

单击下面可查看定价，库存，交付和生命周期等信息

[>>MOLEX](#)