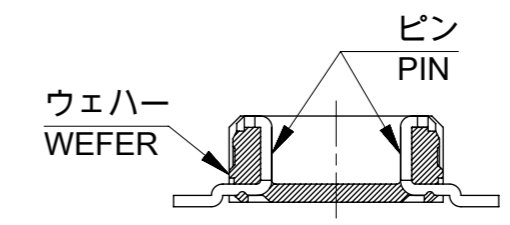
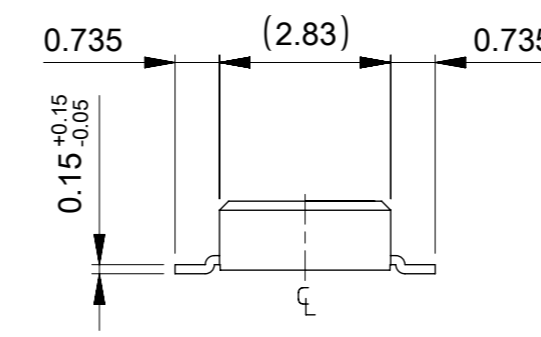
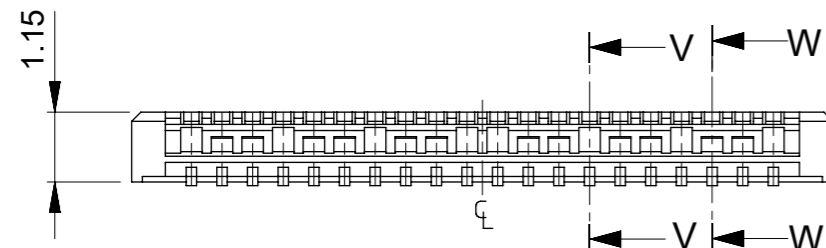


参考基板レイアウト (マウント面)  
P.C. BOARD PATTERN  
DIMENSION. (REF.)  
(MOUNTING AREA)

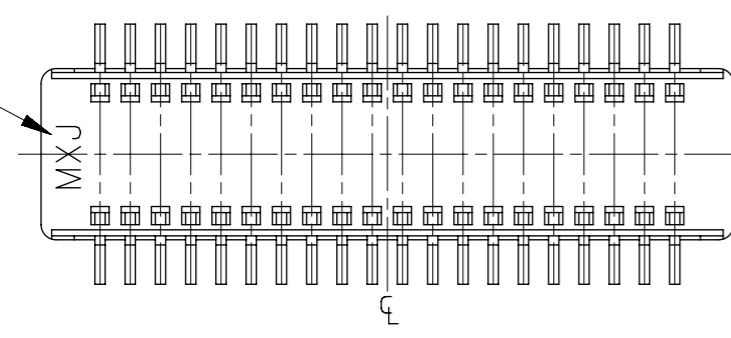


SECTION W-W (LOCK PART)

SECTION V-V (W/O LOCK PART)

LOCK POSITION 1 2 3 N-2N-1N

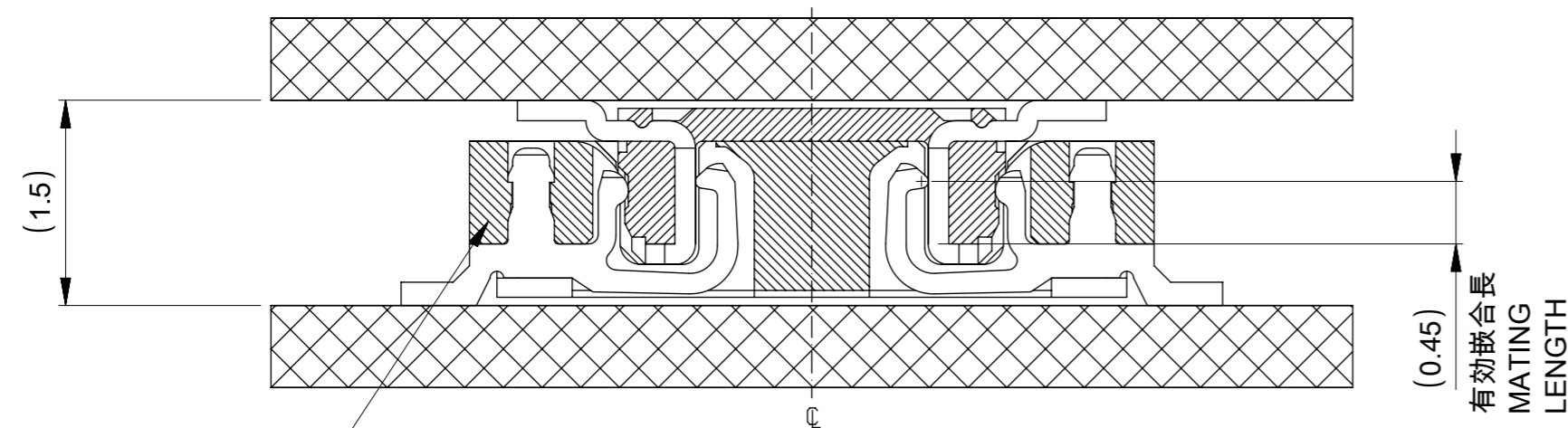
トレードマーク  
TRADE MARK



NON	20.55	19.5	21.45	55560-0807	80
10,21	15.55	14.5	16.45	55560-0607	60
2,4,8,10,16,18,22,24	13.05	12.0	13.95	55560-0507	50
2,3,5,6,8,9,12,13,15,16,18,19	10.55	9.5	11.45	55560-0407	40
2,3,4,5,8,9,10,11,14,15,16,17	9.55	8.5	10.45	55560-0367	36
2,3,4,5,7,8,9,10,11,13,14,15,16	9.05	8.0	9.95	55560-0347	34
ALL	8.05	7.0	8.95	55560-0307	30
	6.55	5.5	7.45	55560-0247	24
	6.05	5.0	6.95	55560-0227	22
				55560-0228	
	5.55	4.5	6.45	55560-0207	20
4.55	3.5	5.45	55560-0168	16	
LOCK POSITION	C	B	A	Emboss tape Package ORDER No. オーダー番号	極数 CIRCUIT

CONNECTOR SERIES No. 55560-\*\*\*1

THIS DRAWING CONTAINS INFORMATION THAT IS PROPRIETARY TO MOLEX ELECTRONIC TECHNOLOGIES, LLC AND SHOULD NOT BE USED WITHOUT WRITTEN PERMISSION		CURRENT REV DESC: REVISED			
DIMENSION UNITS	SCALE	EC NO: 642297			
mm	8:1	DRWN: RMV02		2020/07/21	
GENERAL TOLERANCES (UNLESS SPECIFIED)		CHK'D: HSHIMOYAMA		2020/11/30	
ANGULAR TOL ± °		APPR: SHOSHIKAWA		2020/11/30	
4 PLACES ±		INITIAL REVISION:		DOCUMENT NUMBER	
3 PLACES ±		DRWN: SAIHARA		SD-55560-006	
2 PLACES ±		APPR: MSASAO		DOC TYPE DOC PART REVISION	
1 PLACE ±		THIRD ANGLE PROJECTION		PSD 001 M	
0 PLACES ±		DRAWING		SERIES	
DRAFT WHERE APPLICABLE MUST REMAIN WITHIN DIMENSIONS		A3-SIZE		55560	
DRAFT WHERE APPLICABLE MUST REMAIN WITHIN DIMENSIONS		MATERIAL NUMBER		CUSTOMER	
		SEE TABLE		GENERAL	
		SHEET NUMBER		1 OF 2	



嵌合相手 MATE WITH  
54722-\*\*\*4

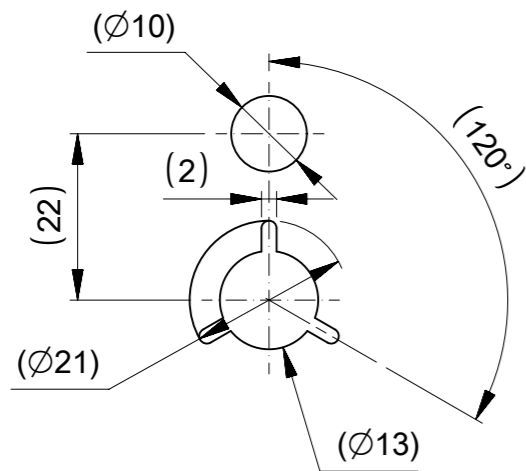
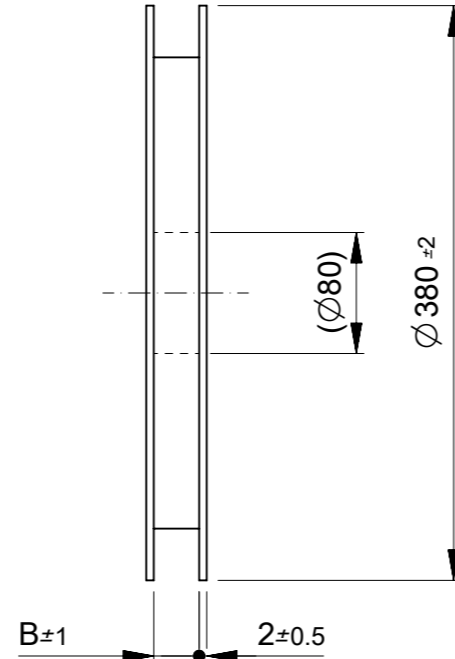
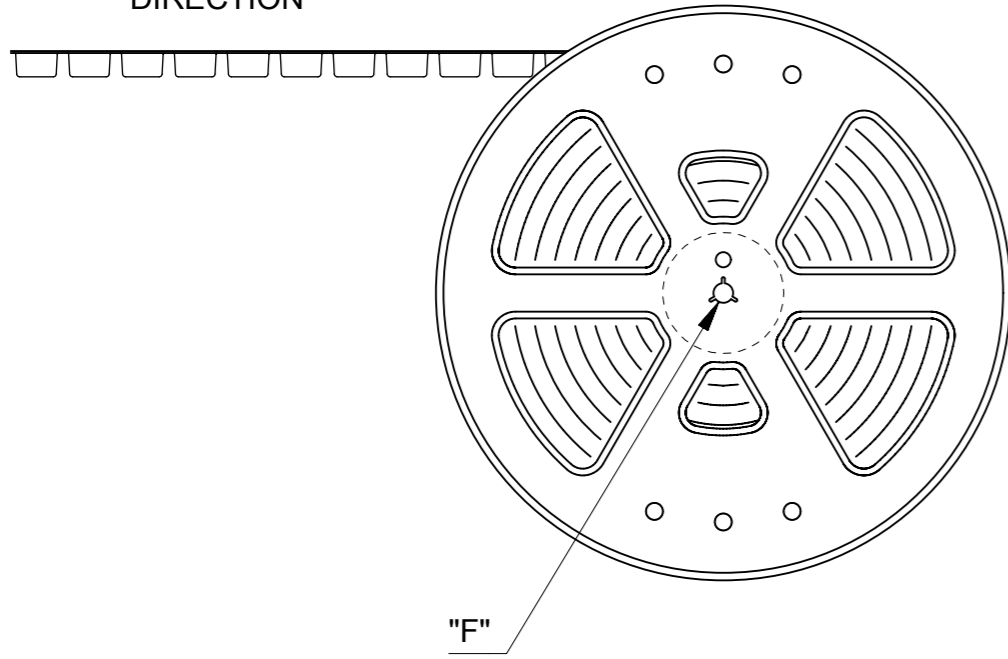
嵌合断面図 (参考)  
MATED DRAWING (REF.)

注記 NOTES:

1. 使用材料 MATERIAL  
 ウェハー : 液晶ポリマーガラス充填, UL94V-0 (黒)  
 WAFER : LIQUID CRYSTRAL POLYMER  
 (GLASS FILLED),UL94V-0 (COLOR:BLACK)  
 ピン : 黄銅 (t=0.15)  
 PIN : BRASS(t=0.15)
2. メッキ仕様 PLATING  
 金メッキ 0.25 MICROMETER MINIMUM (コンタクト部)  
 GOLD 0.25 MICROMETER MINIMUM (CONTACT AREA).  
 金メッキ 0.4 MICROMETER MAXIMUM (テール部)  
 GOLD 0.4 MICROMETER MAXIMUM (TAIL AREA).  
 下地メッキ: ニッケルメッキ 1.5 MICROMETER MINIMUM  
 UNDER PLATING : NICKEL 1.5 MICROMETER MINIMUM.
3. (全極数 / 2) = 偶数の場合に適用.  
 APPLY FOR (CIRCUIT/2) = EVEN.
4. 嵌合相手 : 54722 シリーズ (嵌合高さ = 1.5mm)  
 MATE WITH: 54722 SERIES.(HEIGHT=1.5mm)
5. テール平坦度は、0.1 MAXIMUM  
 TAIL COPLANARITY TO BE 0.1 MAXIMUM.

THIS DRAWING CONTAINS INFORMATION THAT IS PROPRIETARY TO MOLEX ELECTRONIC TECHNOLOGIES, LLC AND SHOULD NOT BE USED WITHOUT WRITTEN PERMISSION		CURRENT REV DESC: REVISED		<b>molex</b>	
DIMENSION UNITS mm	SCALE 20:1	EC NO: 642297 DRWN: RMV02 CHK'D: HSHIMOYAMA APPR: SHOSHIKAWA			
GENERAL TOLERANCES (UNLESS SPECIFIED)		GENERAL TOLERANCES (UNLESS SPECIFIED)		PRODUCT CUSTOMER DRAWING	
10 <sup>UNDER</sup>	±0.2	4 PLACES	±	INITIAL REVISION:	DOCUMENT NUMBER
10 <sup>OVER</sup> 30 <sup>UNDER</sup>	±0.25	3 PLACES	±	DRWN: SAIHARA	SD-55560-006
30 <sup>OVER</sup>	±0.3	2 PLACES	±	APPR: MSASAO	PSD 001 M
ANGULAR±3°		1 PLACE	±	2020/07/21	DOC TYPE
DRAFT WHERE APPLICABLE MUST REMAIN WITHIN DIMENSIONS		0 PLACES	±	2020/11/30	DOC PART
DRAFT WHERE APPLICABLE MUST REMAIN WITHIN DIMENSIONS		THIRD ANGLE PROJECTION		SERIES	REVISION
DRAFT WHERE APPLICABLE MUST REMAIN WITHIN DIMENSIONS		THIRD ANGLE PROJECTION		A3-SIZE	55560
DRAFT WHERE APPLICABLE MUST REMAIN WITHIN DIMENSIONS		THIRD ANGLE PROJECTION		MATERIAL NUMBER	CUSTOMER
DRAFT WHERE APPLICABLE MUST REMAIN WITHIN DIMENSIONS		THIRD ANGLE PROJECTION		SEE SHEET 1	GENERAL
DRAFT WHERE APPLICABLE MUST REMAIN WITHIN DIMENSIONS		THIRD ANGLE PROJECTION		SHEET NUMBER	
DRAFT WHERE APPLICABLE MUST REMAIN WITHIN DIMENSIONS		THIRD ANGLE PROJECTION		2 OF 2	

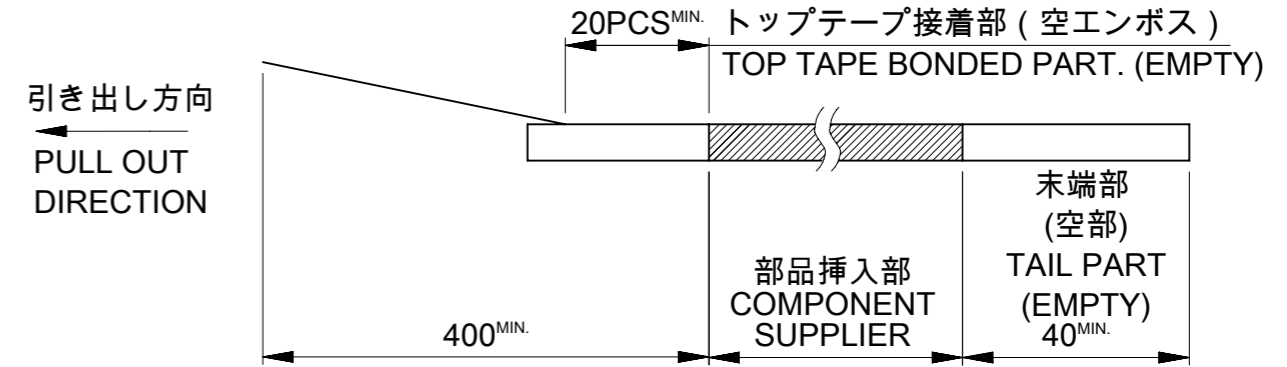
引き出し方向  
PULL OUT  
DIRECTION



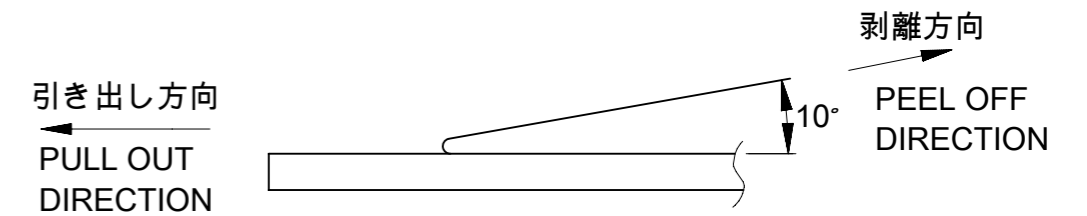
DETAIL "F"

NOTE

- 製品詳細寸法については図面 SD-55560-006 を参照下さい。  
DETAIL DIMENSIONS, SEE SD-55560-006
- 梱包数量 : 3000個 / リール  
NUMBER OF CONNECTORS : 3000PCS/REEL
- リードテープ長さ LEAD TAPE LENGTH



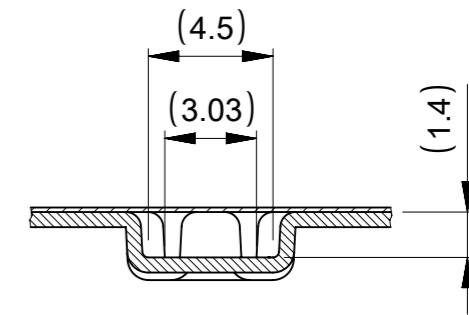
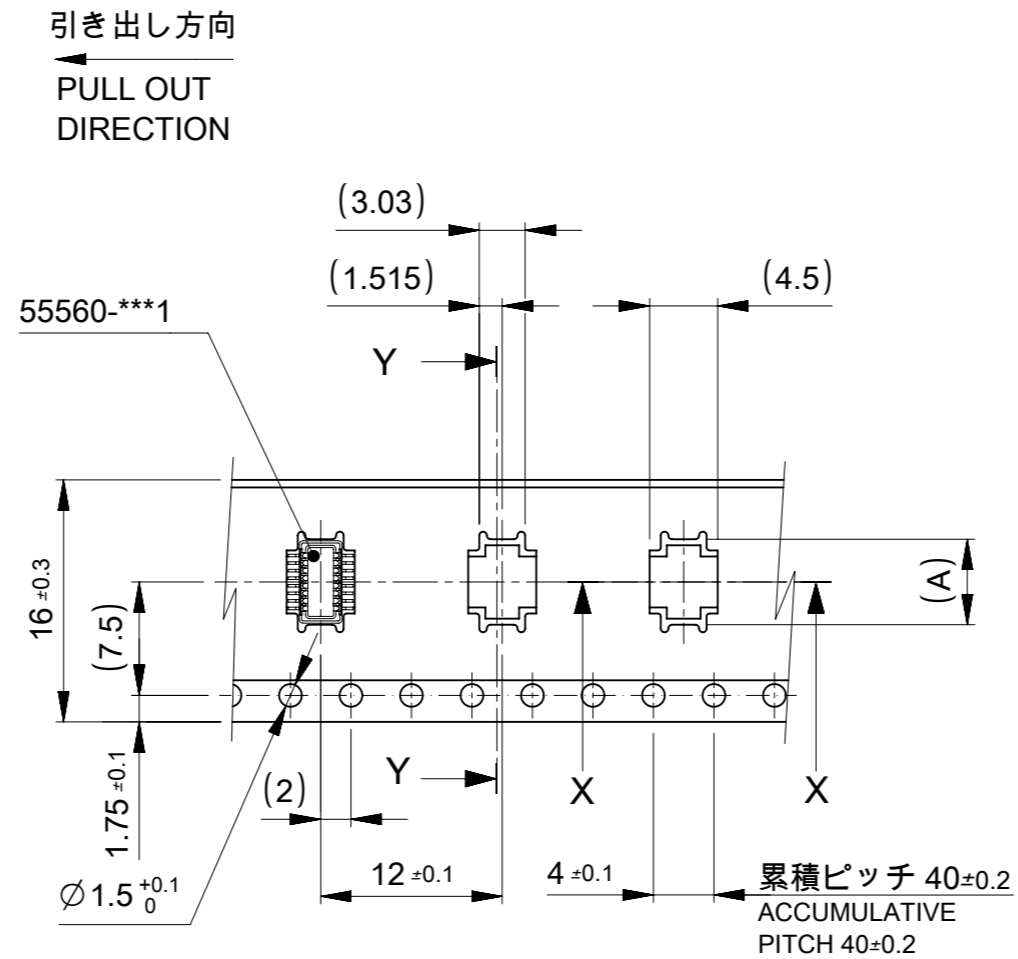
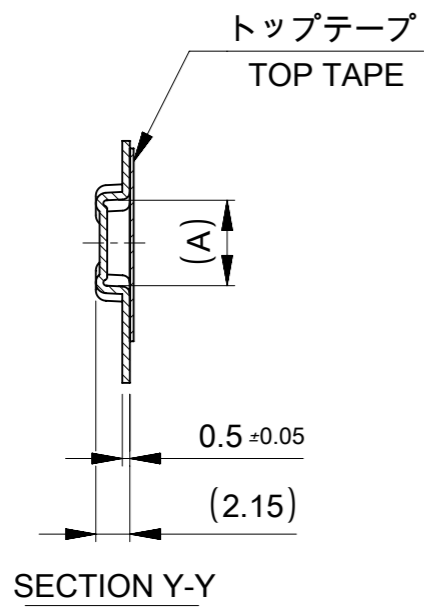
- トップテープの剥離強度 : 0.1N~0.7N(10.2gf~71.4gf)  
(剥離方向は下図参照)  
尚、本規格値は出荷時に適用。(但し、輸送時に剥離が発生しないこと.)  
PEELING OFF FORCE OF TOP TAPE : 0.1N~0.7N(10.2gf~71.4gf)  
(PEELING DIRECTION AS SHOWN IN FOLLOWING FIG.)  
THIS REQUIREMENT SHOULD BE APPLIED AT SHIPMENT.  
PEEL OFF SHOULD NOT BE ALLOWED, DURING TRANSPORTATION.



- 材料 キャリアテープ : ポリプロピレン (PP)  
トップテープ : PET,PE,PEF  
リール : ポリスチレン (PS) <リサイクル材を含む>  
MATERIAL CARRIER TAPE : POLYPROPYLENE  
TOP TAPE : PET,PE,PEF  
REEL : POLYSTYRENE(PS)  
< RECYCLE MATERIAL CONTAINED >

THIS DRAWING CONTAINS INFORMATION THAT IS PROPRIETARY TO MOLEX ELECTRONIC TECHNOLOGIES, LLC AND SHOULD NOT BE USED WITHOUT WRITTEN PERMISSION

DIMENSION UNITS		SCALE		CURRENT REV DESC: REVISED		<b>molex</b>	
mm		NTS					
GENERAL TOLERANCES (UNLESS SPECIFIED)				GENERAL TOLERANCES (UNLESS SPECIFIED)			
ANGULAR TOL		±		°			
4 PLACES		±				EC NO: 642297	
3 PLACES		±				DRWN: SCV 2020/07/27	
2 PLACES		±				CHK'D: HSHIMOMYAMA 2020/11/30	
1 PLACE		±				APPR: SHOSHIKAWA 2020/11/30	
0 PLACES		±				INITIAL REVISION:	
DRAFT WHERE APPLICABLE MUST REMAIN WITHIN DIMENSIONS		DRAFT WHERE APPLICABLE MUST REMAIN WITHIN DIMENSIONS		THIRD ANGLE PROJECTION		DRAWING	
				A3-SIZE		SERIES	
				55560		MATERIAL NUMBER	
				SEE SHEET 2-5		CUSTOMER	
				GENERAL		SHEET NUMBER	
				1 OF 5			

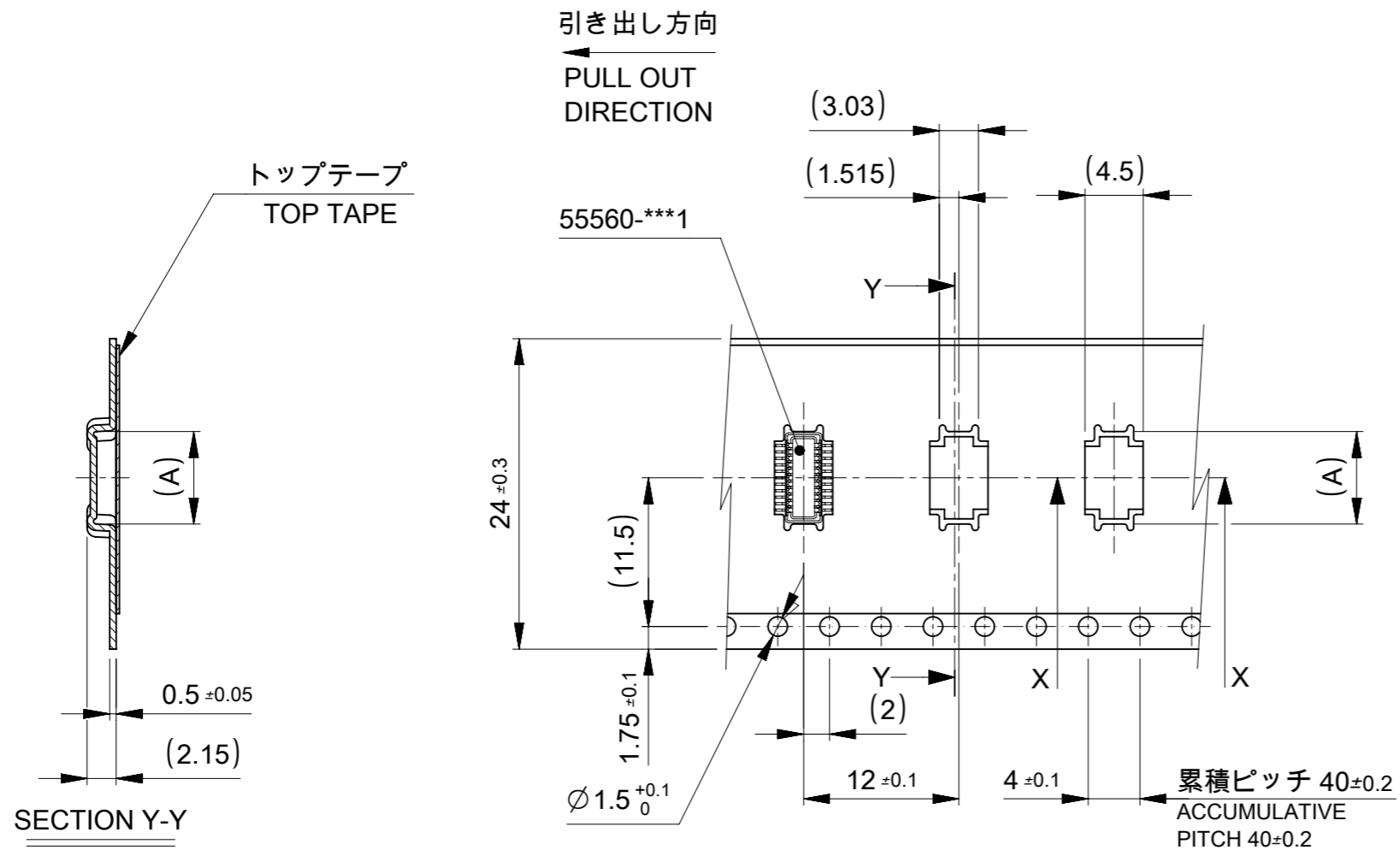


16 mm幅キャリアテープ  
16mm WIDTH CARRIER TAPE

PRE-RELEASE  
REFERENCE  
USE ONLY

16	17.5	6.65	55560-0207	20
キャリアテープ幅 CARRIER TAPE WIDTH			B	(A)
MATERIAL NO.			極数 CIRCUIT	

THIS DRAWING CONTAINS INFORMATION THAT IS PROPRIETARY TO MOLEX ELECTRONIC TECHNOLOGIES, LLC AND SHOULD NOT BE USED WITHOUT WRITTEN PERMISSION		CURRENT REV DESC: REVISED		<b>molex</b>	
DIMENSION UNITS mm	SCALE NTS				
GENERAL TOLERANCES (UNLESS SPECIFIED)		GENERAL TOLERANCES (UNLESS SPECIFIED)		0.5 MM PITCH B-TO-B CONN. HEIGHT = 1.5 PLUG EMBOSS TAPE PACKAGE	
ANGULAR TOL ± °		ANGULAR TOL ± °		PRODUCT CUSTOMER DRAWING	
4 PLACES ±		4 PLACES ±		DOCUMENT NUMBER	
3 PLACES ±		3 PLACES ±		SD-55560-007	
2 PLACES ±		2 PLACES ±		DOC TYPE	
1 PLACE ±		1 PLACE ±		PSD	
0 PLACES ±		0 PLACES ±		DOC PART	
DRAFT WHERE APPLICABLE MUST REMAIN WITHIN DIMENSIONS		DRAFT WHERE APPLICABLE MUST REMAIN WITHIN DIMENSIONS		REVISION	
THIRD ANGLE PROJECTION		DRAWING		L	
SERIES		MATERIAL NUMBER		SHEET NUMBER	
A3-SIZE		55560		2 OF 5	
CUSTOMER		GENERAL			



24 mm幅キャリアテープ  
24mm WIDTH CARRIER TAPE

PRE-RELEASE  
REFERENCE  
USE ONLY

24	25.5	14.15	55560-0507	50	
		11.65	55560-0407	40	
		10.65	55560-0367	36	
		10.15	55560-0347	34	
		9.15	55560-0307	30	
		7.65	55560-0247	24	
		7.15	55560-0227	22	
キャリアテープ幅 CARRIER TAPE WIDTH		B	(A)	MATERIAL NO.	極数 CIRCUIT

THIS DRAWING CONTAINS INFORMATION THAT IS PROPRIETARY TO MOLEX ELECTRONIC TECHNOLOGIES, LLC AND SHOULD NOT BE USED WITHOUT WRITTEN PERMISSION

CURRENT REV DESC: REVISED

**molex**

0.5 MM PITCH B-TO-B CONN.  
HEIGHT = 1.5 PLUG EMBOSS TAPE PACKAGE

PRODUCT CUSTOMER DRAWING

EC NO: 642297  
DRWN: SCV  
CHK'D: HSHIMUYAMA  
APPR: SHOSHIKAWA

INITIAL REVISION:  
DRWN: S.AIHARA  
APPR: M.FUKUSHIMA

2020/07/27  
2020/11/30  
2020/11/30

2000/11/28  
2001/01/30

DOCUMENT NUMBER: SD-55560-007  
DOC TYPE: PSD  
DOC PART: 001  
REVISION: L

DIMENSION UNITS: mm  
SCALE: NTS

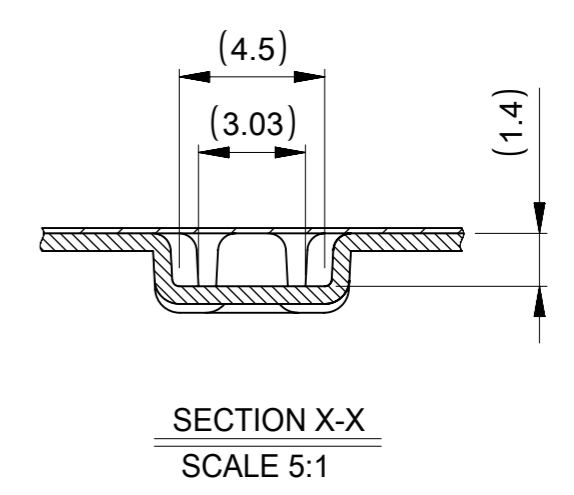
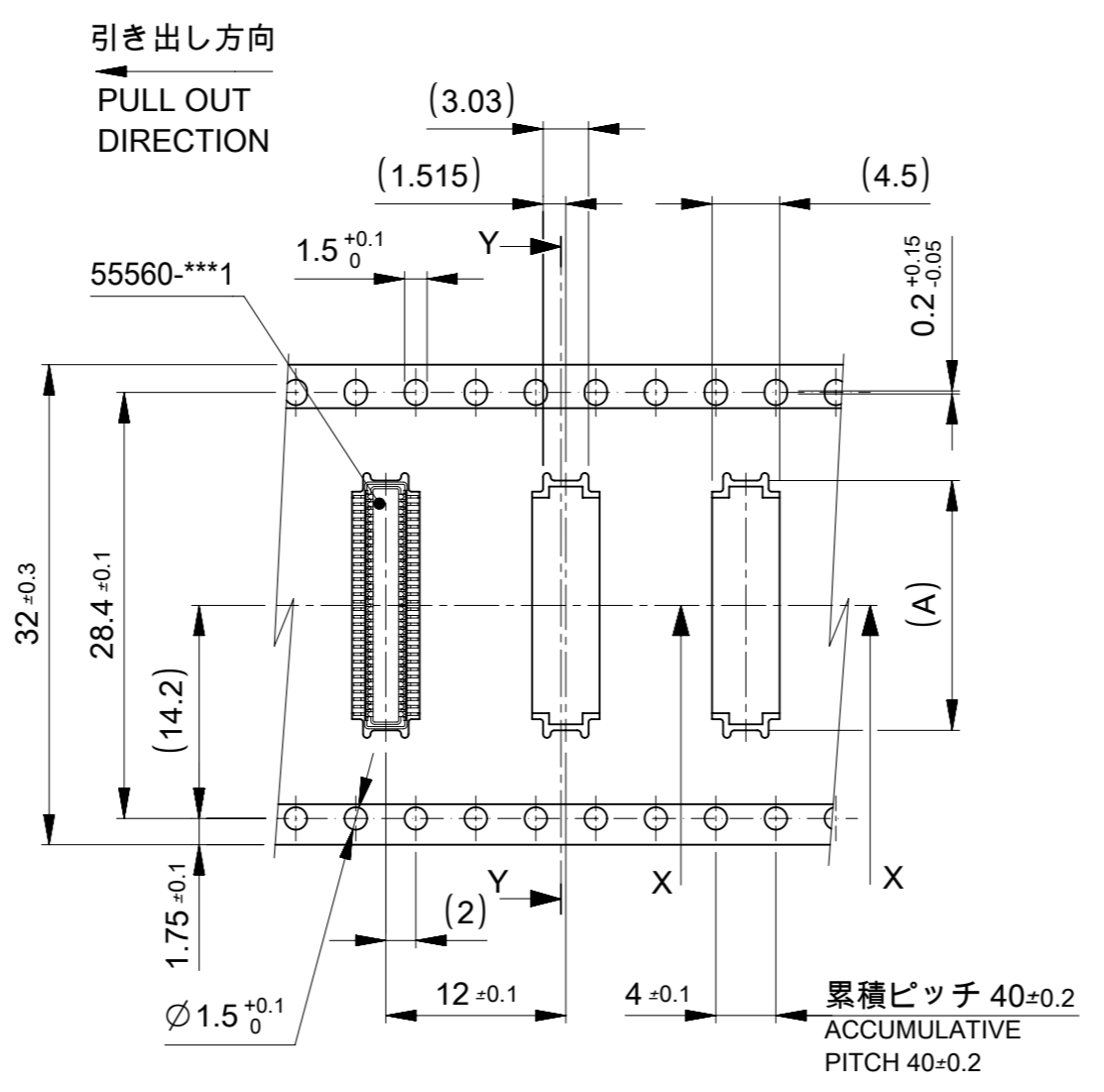
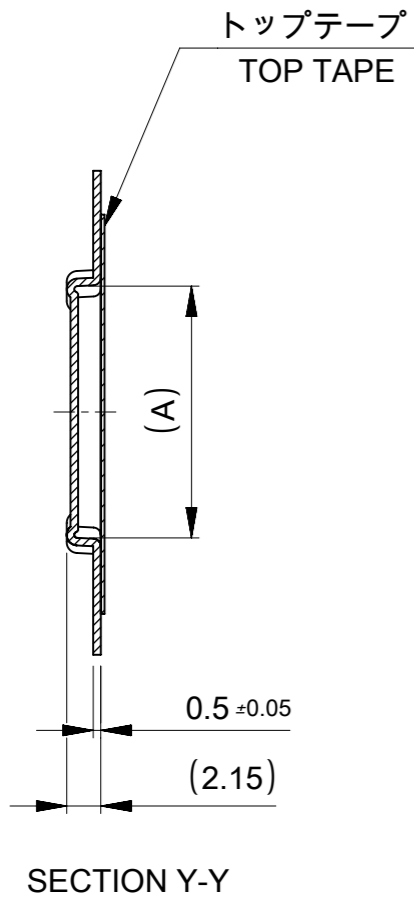
GENERAL TOLERANCES (UNLESS SPECIFIED):  
ANGULAR TOL ± °

GENERAL TOLERANCES (UNLESS SPECIFIED)	ANGULAR TOL ± °
10 <sup>UNDER</sup>	± 0.2
10 <sup>OVER</sup> 30 <sup>UNDER</sup>	± 0.25
30 <sup>OVER</sup>	± 0.3
ANGULAR ± 3°	0 PLACES ±
4 PLACES ±	1 PLACE ±
3 PLACES ±	2 PLACES ±
2 PLACES ±	3 PLACES ±
1 PLACE ±	4 PLACES ±

DRAFT WHERE APPLICABLE MUST REMAIN WITHIN DIMENSIONS

THIRD ANGLE PROJECTION

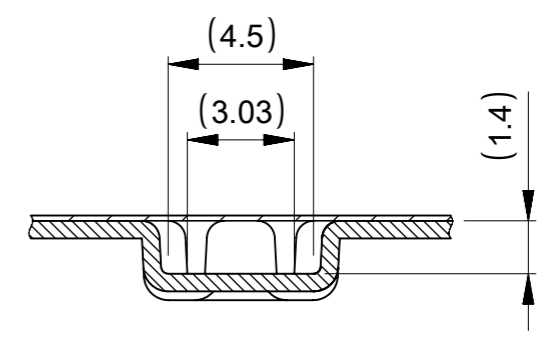
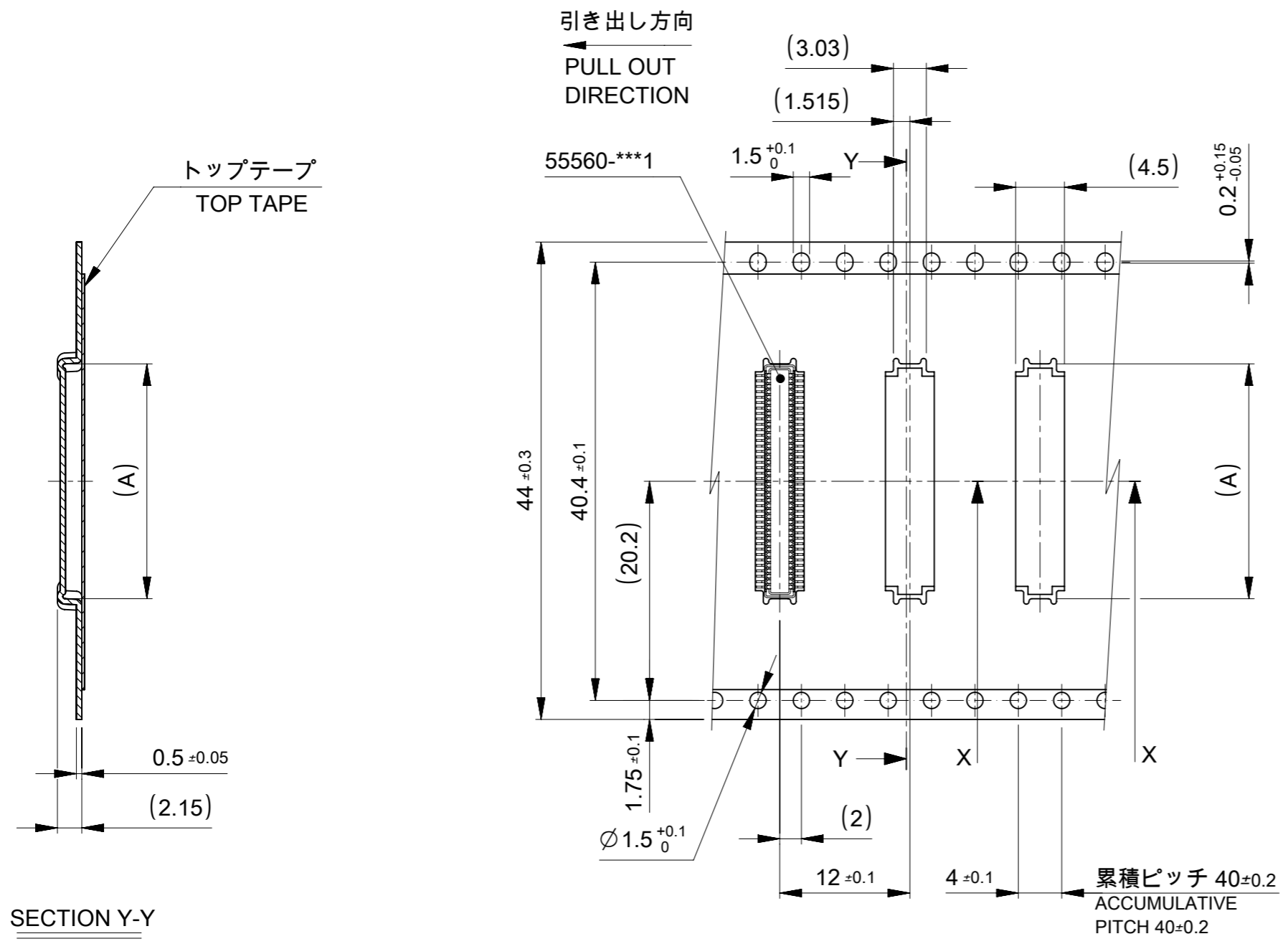
DRAWING: A3-SIZE  
SERIES: 55560  
MATERIAL NUMBER: SEE TABLE  
CUSTOMER: GENERAL  
SHEET NUMBER: 3 OF 5



32 mm幅キャリアテープ  
32mm WIDTH CARRIER TAPE

32	33.5	16.65	55560-0607	60
キャリアテープ幅 CARRIER TAPE WIDTH		B	(A) MATERIAL NO.	極数 CIRCUIT

THIS DRAWING CONTAINS INFORMATION THAT IS PROPRIETARY TO MOLEX ELECTRONIC TECHNOLOGIES, LLC AND SHOULD NOT BE USED WITHOUT WRITTEN PERMISSION		CURRENT REV DESC: REVISED		<b>molex</b>			
DIMENSION UNITS	SCALE	EC NO: 642297				0.5 MM PITCH B-TO-B CONN. HEIGHT = 1.5 PLUG EMBOSS TAPE PACKAGE	
mm	NTS	DRWN: SCV		2020/07/27			
GENERAL TOLERANCES (UNLESS SPECIFIED)		CHK'D: HSHIMUYAMA		2020/11/30			
ANGULAR TOL ± °		APPR: SHOSHIKAWA		2020/11/30			
4 PLACES ±		INITIAL REVISION:		DOCUMENT NUMBER			
3 PLACES ±		DRWN: S.AIHARA		SD-55560-007			
2 PLACES ±		APPR: M.SASAO		DOC TYPE DOC PART REVISION			
1 PLACE ±		2000/10/06		PSD 001 L			
0 PLACES ±		2003/03/31					
DRAFT WHERE APPLICABLE MUST REMAIN WITHIN DIMENSIONS		THIRD ANGLE PROJECTION	DRAWING	SERIES	MATERIAL NUMBER	CUSTOMER	SHEET NUMBER
			A3-SIZE	55560	SEE TABLE	GENERAL	4 OF 5



SECTION X-X  
SCALE 5:1

44 mm幅キャリアテープ  
44mm WIDTH CARRIER TAPE

44	45.5	21.65	55560-0807	80
キャリアテープ幅 CARRIER TAPE WIDTH		B	(A)	極数 CIRCUIT

THIS DRAWING CONTAINS INFORMATION THAT IS PROPRIETARY TO MOLEX ELECTRONIC TECHNOLOGIES, LLC AND SHOULD NOT BE USED WITHOUT WRITTEN PERMISSION		CURRENT REV DESC: REVISED		<b>molex</b>	
DIMENSION UNITS	SCALE	EC NO: 642297			
mm	NTS	DRWN: SCV		0.5 MM PITCH B-TO-B CONN. HEIGHT = 1.5 PLUG EMBOSS TAPE PACKAGE	
GENERAL TOLERANCES (UNLESS SPECIFIED)		CHK'D: HSHIMUYAMA		2020/07/27	
ANGULAR TOL ± °		APPR: SHOSHIKAWA		2020/11/30	
4 PLACES ±		INITIAL REVISION:		DOCUMENT NUMBER	
3 PLACES ±		DRWN: S.AIHARA		SD-55560-007	
2 PLACES ±		APPR: M.SASAO		DOC TYPE DOC PART REVISION	
1 PLACE ±		2000/10/06		PSD 001 L	
0 PLACES ±		2003/03/31		SHEET NUMBER	
DRAFT WHERE APPLICABLE MUST REMAIN WITHIN DIMENSIONS		THIRD ANGLE PROJECTION		MATERIAL NUMBER	
DRAFT WHERE APPLICABLE MUST REMAIN WITHIN DIMENSIONS		DRAWING		CUSTOMER	
		A3-SIZE		GENERAL	
		SERIES		55560	

单击下面可查看定价，库存，交付和生命周期等信息

[>>MOLEX](#)