

MSKSEMI 美森科

SEMICONDUCTOR



ESD



TVS



TSS



MOV



GDT



PLED

CD4011

产品规格手册

概述

CD4011 是一款采用 CMOS 技术设计的低功耗宽范围工作电压的 2 输入与非门集成电路。它内部集成 4 组相互独立的 2 输入与非门电路，具有高抗干扰能力和驱动能力。

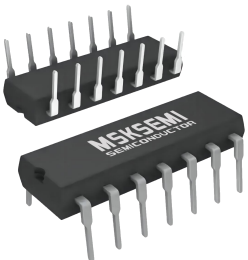
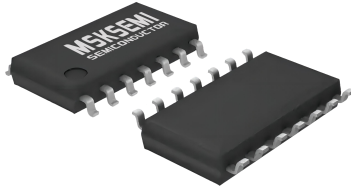
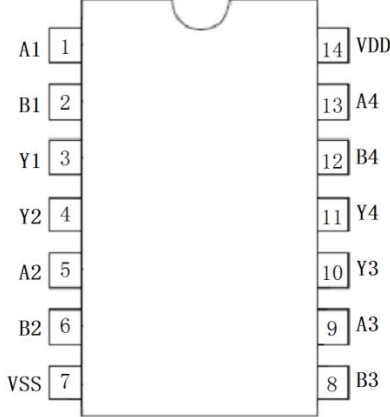
产品用途

- 数字逻辑驱动
- 无线门铃
- 工控应用
- 其它应用领域

特征

- 低输入电流: $I_{IN} \leq 1\mu A$, @ $V_{IN}=V_{DD}=15V$, $T_a=25^\circ C$
- 低静态功耗: $I_{DD} \leq 6\mu A$, @ $V_{DD}=15V$, $T_a=25^\circ C$
- 宽工作电压范围: 3.0V to 15.0V
- 封装形式: DIP-14、SOP-14

参考信息

封装图		脚位信息
		
DIP-14	SOP-14	DIP14/SOP14 管脚功能定义

封装形式和管脚功能定义

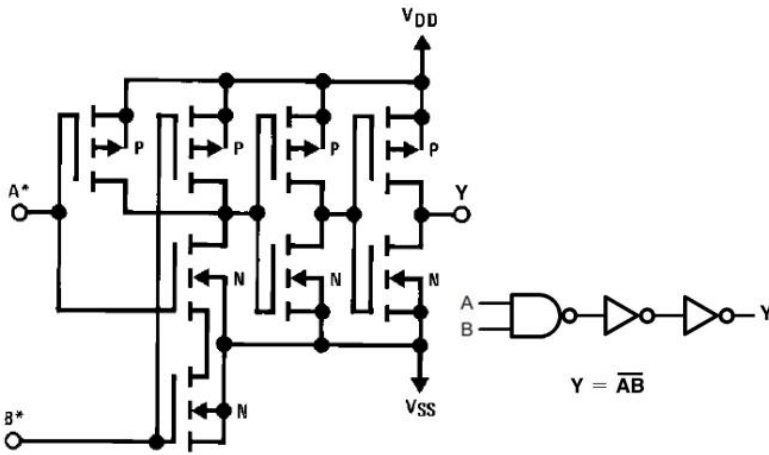
管脚序号	管脚定义	管脚序号	管脚定义
DIP14/SOP14		DIP14/SOP14	
1	A1	14	VDD
2	B1	13	B4
3	Y1	12	A4
4	Y2	11	Y4
5	A2	10	Y3
6	B2	9	B3
7	VSS	8	A3

极限值

参数	符号	极限值	单位
电源电压	V_{DD}	-0.5-18	V
输入电压	V_{IN}	-0.5+VSS- V_{DD} +0.5V	V
功耗	P_D	500	mW
工作温度	T_A	0-70	°C
存储温度	T_S	-65-150	°C
引脚焊接温度	T_W	260, 10s	°C

注: 极限参数是指无论在任何条件下都不能超过的极限值。如果超过此极限值, 将有可能造成产品劣化等物理性损伤; 同时在接近极限参数下, 不能保证芯片可以正常工作。

原理逻辑图



真值表

Inputs		Output
A	B	Y
L	L	H
L	H	H
H	L	H
H	H	L

H = High Logic Level

L = Low Logic Level

推荐工作条件

项目	符号	最小值	典型值	最大值	单位
工作电压	V _{DD}	2.5		15	V
输入输出电压	V _{IN} 、V _{out}	0		V _{DD}	V
工作温度	T _A	0		60	°C

电学特性

直流电学特性： TA=25°C

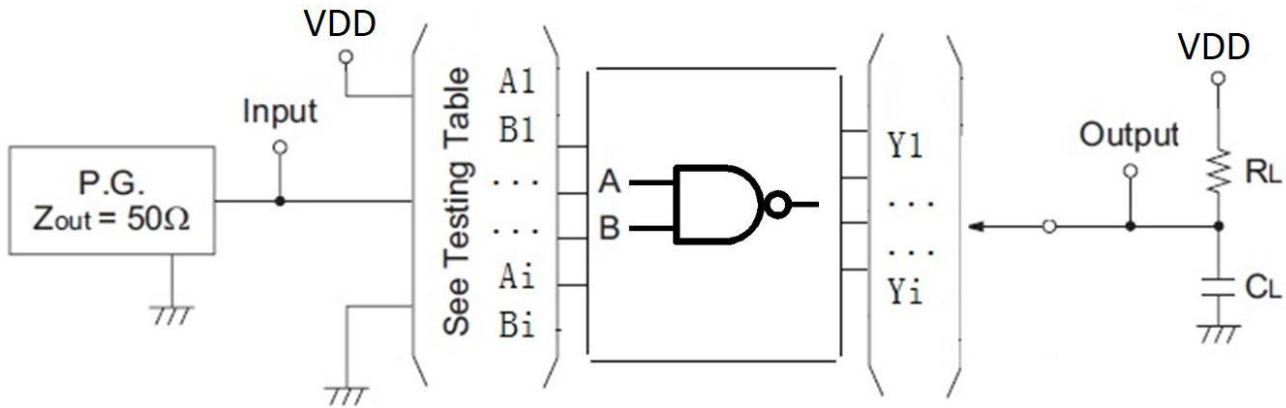
符号	项目	测试条件	VDD (V)	最小值	典型值	最大值	单位
V _{IH}	高电平有效 输入电压	I _O ≤ 1uA	V _O = 0.5V	5	3.5		V
			V _O = 1V	10	7.0		V
			V _O = 1.5V	15	11.0		V
V _{IL}	低电平有效 输入电压	I _O ≤ 1uA	V _O = 4.5V	5		1.5	V
			V _O = 9V	10		3.0	V
			V _O =13.5V	15		4.0	V
V _{OH}	高电平输出电压	I _{OUT} < 1uA	5	4.95			V
			10	9.95			V
			15	14.95			V
V _{OL}	低电平输出电压	I _{OUT} < 1uA	5			0.05	V
			10			0.05	V
			15			0.05	V
I _{IN}	输入电流	V _{IN} =V _{DD} or V _{SS}	15		0.01	1.0	uA
I _{OH}	高电平输出电流	V _O = 4.6V	5		-1.0	-0.5	mA
		V _O = 9.5V	10		-2.1	-1.3	mA
		V _O = 13.5V	15		-8.0	-3.4	mA
I _{OL}	低电平输出电流	V _O = 0.4V	5	0.5	2.2		mA
		V _O = 0.5V	10	1.3	5.1		mA
		V _O = 1.5V	15	3.4	19		mA
I _{DD}	工作电流	V _{IN} =V _{DD} or V _{SS}	5		0.1	4	uA
			10		0.1	5	uA
			15		0.1	6	uA

交流电学特性： Ta=25°C , RL=197k,CL=51pF 见测试方法。

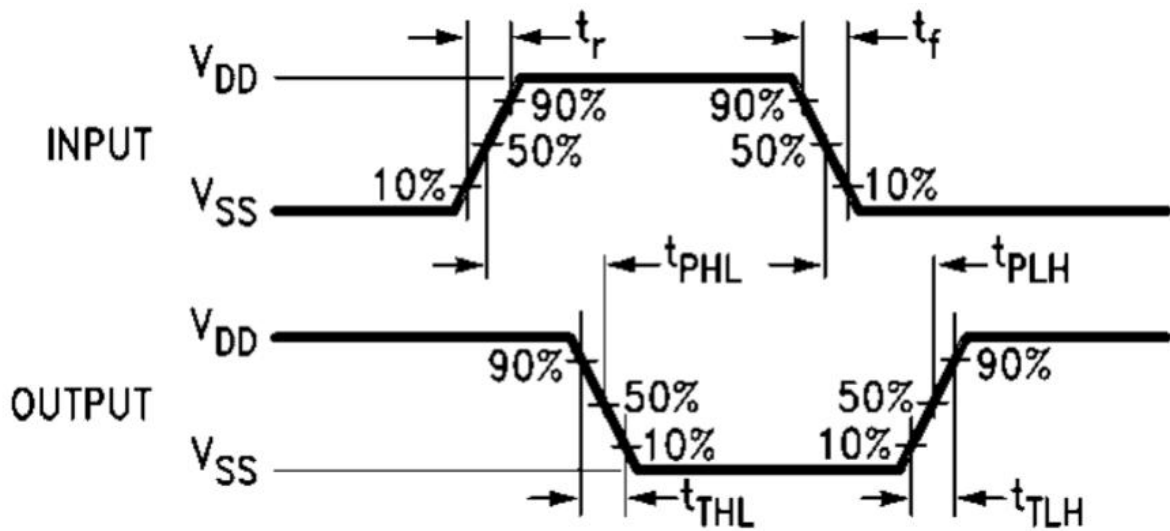
项目	符号	测试条件	最小值	典型值	最大值	单位
最大传输延迟时间 A、B to Y	t _{PHL}	V _{DD} =5V		62		ns
	t _{PLH}			55		ns
	t _{PHL}	V _{DD} =10V		35		ns
	t _{PLH}			35		ns
	t _{PHL}	V _{DD} =15V		30		ns
	t _{PLH}			28		ns

测试方法

1、测试接线图



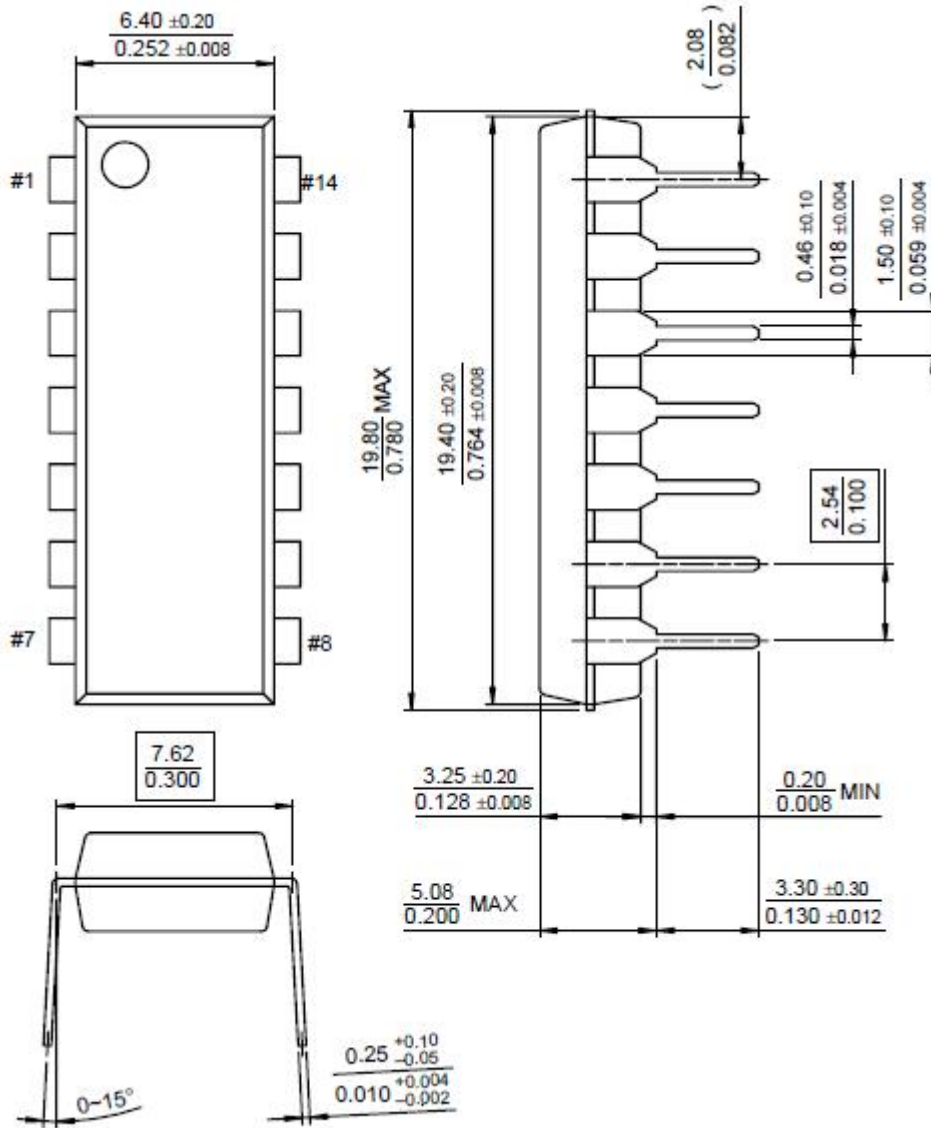
2、波形测量示意图



- 注：
- 1、See Testing Table 指交流电学特性表中相应测试项目；
 - 2、 C_L 电容为外接贴片电容(0603)，靠近输出管脚接入，电容地靠近芯片 V_{SS} ；
 - 3、Input: 端口输入电平， $f=1\text{MHz}$, $D=50\%$ 方波， $t_r=t_f \leq 20\text{ns}$ ；
 - 4、Output: Y 端输出测试。

DIP-14 包装数据

单位：毫米 / 英寸

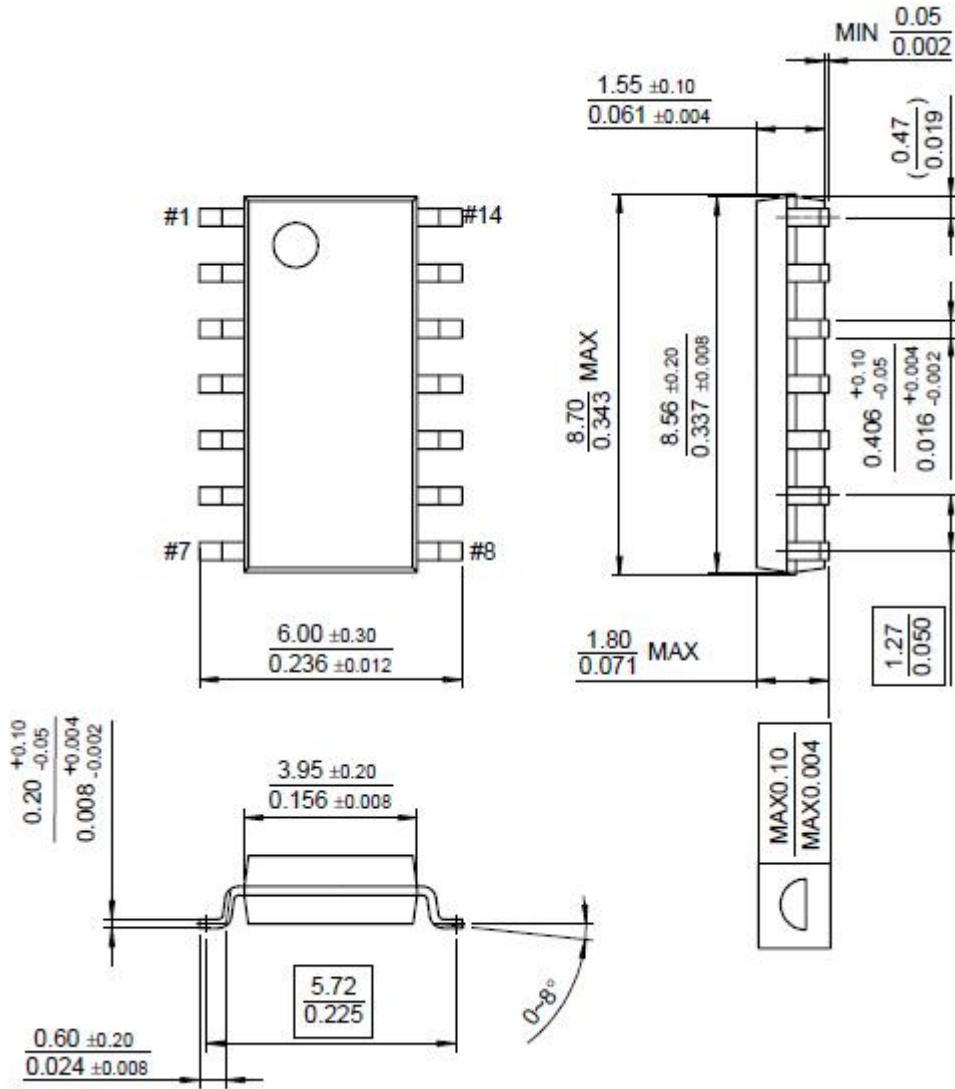


卷轴规格

P/N	PKG	QTY
CD4011BE-MS	DIP-14	1000

SOP-14 包装数据

单位：毫米 / 英寸



卷轴规格

P/N	PKG	QTY
CD4011BM-MS	SOP-14	2500

Attention

- Any and all MSKSEMI Semiconductor products described or contained herein do not have specifications that can handle applications that require extremely high levels of reliability, such as life-support systems, aircraft's control systems, or other applications whose failure can be reasonably expected to result in serious physical and/or material damage. Consult with your MSKSEMI Semiconductor representative nearest you before using any MSKSEMI Semiconductor products described or contained herein in such applications.
- MSKSEMI Semiconductor assumes no responsibility for equipment failures that result from using products at values that exceed, even momentarily, rated values (such as maximum ratings, operating condition ranges, or other parameters) listed in products specifications of any and all MSKSEMI Semiconductor products described or contained herein.
- Specifications of any and all MSKSEMI Semiconductor products described or contained herein stipulate the performance, characteristics, and functions of the described products in the independent state, and are not guarantees of the performance, characteristics, and functions of the described products as mounted in the customer's products or equipment. To verify symptoms and states that cannot be evaluated in an independent device, the customer should always evaluate and test devices mounted in the customer's products or equipment.
- MSKSEMI Semiconductor strives to supply high-quality high-reliability products. However, any and all semiconductor products fail with some probability. It is possible that these probabilistic failures could give rise to accidents or events that could endanger human lives, that could give rise to smoke or fire, or that could cause damage to other property. When designing equipment, adopt safety measures so that these kinds of accidents or events cannot occur. Such measures include but are not limited to protective circuits and error prevention circuits for safe design, redundant design, and structural design.
- In the event that any or all MSKSEMI Semiconductor products (including technical data, services) described or contained herein are controlled under any of applicable local export control laws and regulations, such products must not be exported without obtaining the export license from the authorities concerned in accordance with the above law.
- No part of this publication may be reproduced or transmitted in any form or by any means, electronic or mechanical, including photocopying and recording, or any information storage or retrieval system, or otherwise, without the prior written permission of MSKSEMI Semiconductor.
- Information (including circuit diagrams and circuit parameters) herein is for example only ; it is not guaranteed for volume production. MSKSEMI Semiconductor believes information herein is accurate and reliable, but no guarantees are made or implied regarding its use or any infringement of intellectual property rights or other rights of third parties.
- Any and all information described or contained herein are subject to change without notice due to product/technology improvement, etc. When designing equipment, refer to the "Delivery Specification" for the MSKSEMI Semiconductor product that you intend to use.

单击下面可查看定价，库存，交付和生命周期等信息

[>>MSKSEMI\(美森科\)](#)