

MSKSEMI

SEMICONDUCTOR



ESD



TVS



TSS



MOV



GDT



PLED

Product data sheet

www.msksemi.com

GENERAL DESCRIPTION

XC6206系列是高纹波抑制率、低功耗、低压差，具有过流和短路保护的CMOS降压型电压稳压器。这些器件具有很低的静态偏置电流（8.0μA Typ.），它们能在输入、输出电压差极小的情况下提供250mA的输出电流，并且仍能保持良好的调整率。由于输入输出间的电压差很小和静态偏置电流很小，这些器件特别适用于希望延长电池寿命的电池供电类产品，如计算机、消费类产品和工业设备等。

FEATURES

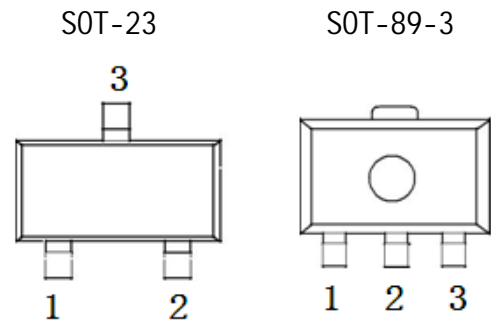
- 高精度输出电压：±2.5%
- 输出电压：1.8V~5.0V(步长 0.1V)
- 极低的静态偏置电流(Typ. =8.0μA)
- 低的温度调整系数
- 最高输入电压可达 8V
- 带载能力强：当 $V_{in}=4.3V$ 且 $V_{out}=3.3V$ 时， $I_{out}=250mA$
- 可以作为调整器和参考电压来使用
- 输入稳定性好：Typ. 0.03%/V
- 封装形式：SOT89-3、SOT-23

Application

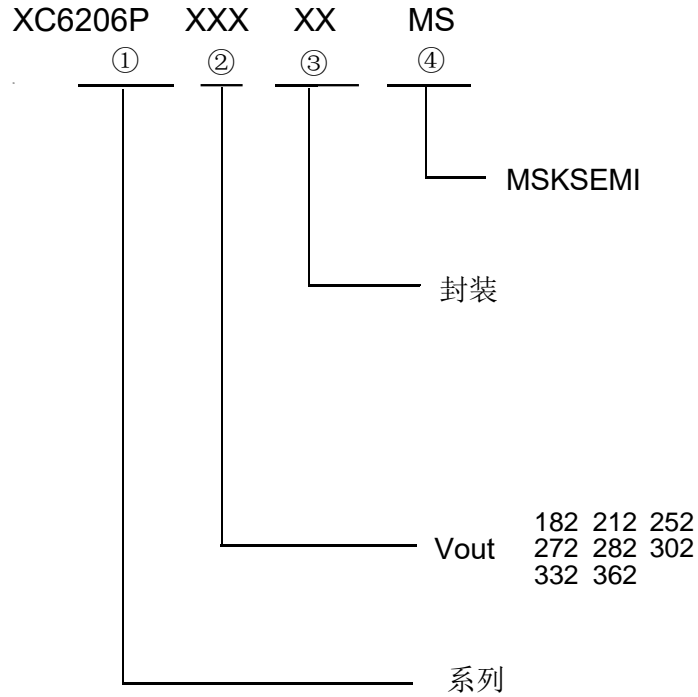
- 电池供电系统
- 无绳电话设备
- 无线控制系统
- 便携/手掌式计算机
- 便携式消费类设备
- 便携式仪器
- 汽车电子设备
- 电压基准源

PIN CONFIGURATION

管脚序号			管脚定义	功能说明
MR 封装形式	PR 封装形式	P1 封装形式		
SOT-23	SOT89-3	SOT89-3		
1	1	2	VSS	芯片接地端
2	3	1	VOUT	芯片输出端
3	2	3	VIN	启动输入端



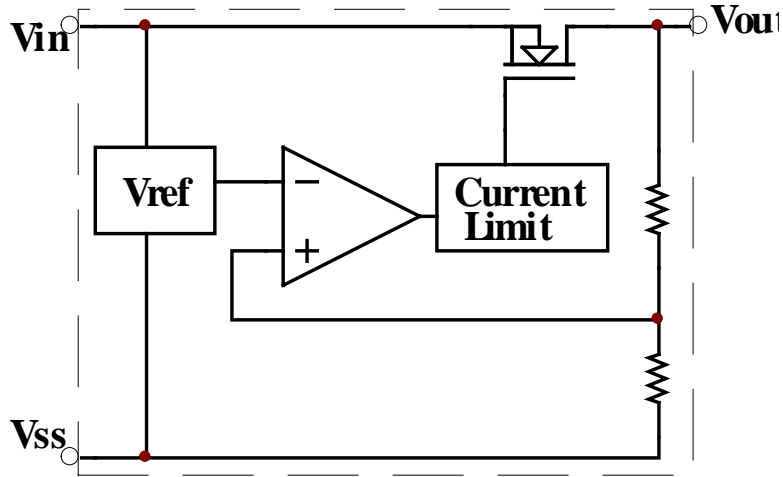
P/N Information



型号选择

① 系列	② 输出电压(V)	③ 封装	④ MS	最高输入电压 (V)	容差
XC6206P	1.8、 2.1、 2.5 2.7、 2.8、 3.0 3.3、 3.6、	PR: SOT-89-3 MR: SOT-23	MSKSEMI	8	±3%

功能框图



极限参数

项目	符号	参数	极限值	单位
电压	Vin	输入电压	9	V
	Vout	输出电压	Vss-0.3 ~ Vout+0.3	V
电流	Iout	输出电流	500	mA
功耗	PD	SOT23	300	mW
		SOT89-3	500	
温度	Tw	工作温度	-25~+80	°C
	Tc	存储温度	-40~+125	°C
	Th	焊接温度	260	°C, 10s

电学特性 (Cin=Cout=10uF,Ta=25°C除特别指定)

特性	符号	条件	最小值	典型值	最大值	单位
输出电压	$V_{OUT}(E)$	$I_{OUT}=1mA, V_{IN}=V_{OUT}(T)+1V$	$V_{OUT}(T) * 0.98$	$V_{OUT}(T)$	$V_{OUT}(T) * 1.02$	V
最大输出电流	$I_{OUT}(max)$	$V_{IN}=V_{OUT}(T)+1V$	100			mA
跌落压差	V_{drop}	$I_{OUT}=50mA$	$1.5V \leq V_{OUT}(T) \leq 2.5V$	200	280	mV
			$2.6V \leq V_{OUT}(T) \leq 3.3V$	160	240	
			$3.4V \leq V_{OUT}(T) \leq 5.5V$	120	200	
静态电流	I_{SS}	$V_{IN}=V_{OUT}(T)+1V$		7		μA
负载稳定度	ΔV_{OUT}	$V_{IN}=V_{OUT}(T)+1V, 1mA \leq I_{OUT} \leq 80mA$		20		mV
输入稳定度	$\Delta V_{OUT}/(\Delta V_{IN} \cdot V_{OUT})$	$I_{OUT}=1mA, V_{OUT}(T)+0.5V \leq V_{IN} \leq 5.5V$		0.1	0.2	%/V
输出电压温度系数	$\Delta V_{OUT}/(\Delta Ta \cdot V_{OUT})$	$V_{IN}=V_{OUT}(T)+1V, I_{OUT}=10mA, -40^\circ C \leq Ta \leq 85^\circ C$		± 100		ppm/ $^\circ C$
输入电压	V_{IN}		1.8	--	8.0	V
纹波抑制比	PSRR	$V_{IN}=[V_{OUT}(T)+1]V + 1V_{p-pAC}, I_{OUT}=10mA, f=1kHz$		40		dB
短路电流	I_{short}	$V_{IN}=V_{OUT}(T)+1.5V, V_{OUT}=V_{SS}$		30		mA
过流保护电流	I_{limit}	$V_{IN}=V_{OUT}(T)+1.5V$		380		mA

注：

- 1、 $V_{OUT}(T)$ ：规定的输出电压。
- 2、 $V_{OUT}(E)$ ：有效输出电压（即当 I_{OUT} 保持一定数值， $V_{IN}=(V_{OUT}(T)+1.0V)$ 时的输出电压）。
- 3、 $I_{OUT}(max)$ ： $V_{IN}=V_{OUT}(T)+1V$ ，缓慢增加输出电流，当输出电压 $\leq V_{OUT}(E) * 95\%$ 时的电流值。
- 4、 $V_{drop}=V_{IN1}-V_{OUT}(E)_{s}$ ： V_{IN1} =逐渐减小输入电压，当输出电压降为 $V_{OUT}(E)_{1}$ 的 98% 时的输入电压。
 $V_{OUT}(E)_{s}=V_{OUT}(E) * 98\%$
 $V_{OUT}(E)_{1}$ =当 $V_{IN}=V_{OUT}(T)+1V, I_{out}$ =某一数值时的输出电压值。

测试电路

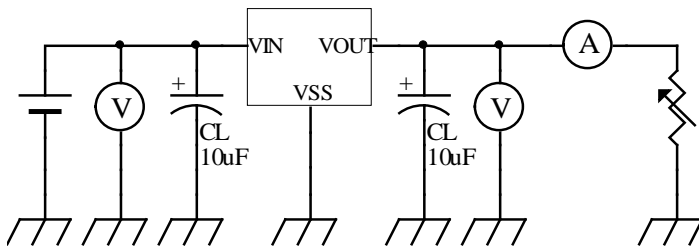


图 1

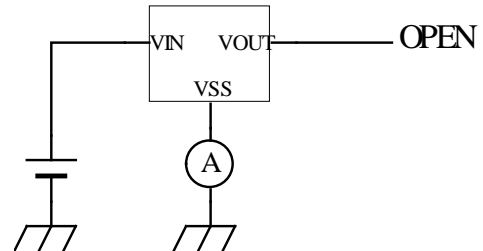
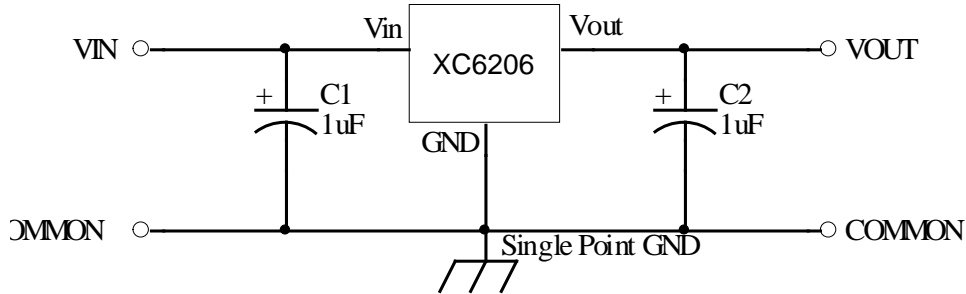


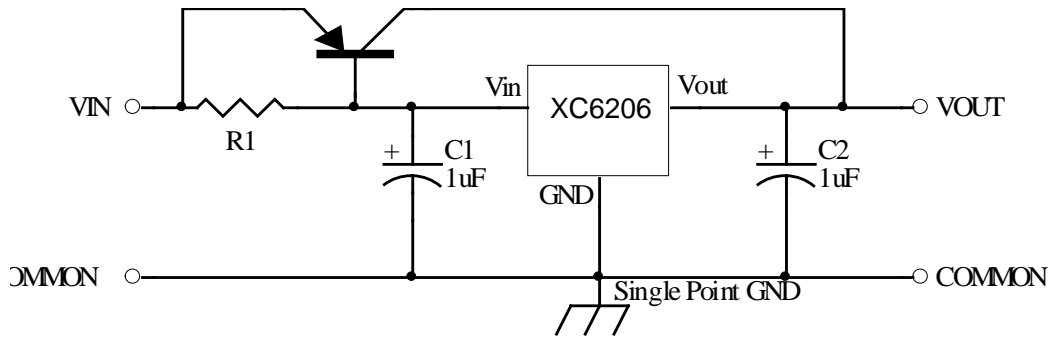
图 2

应用电路

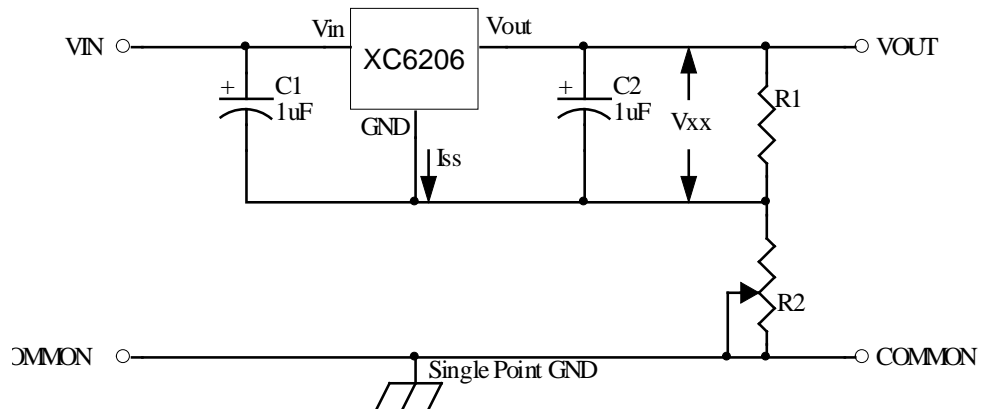
1、基本电路



2、大输出电流正电压型电压调整器

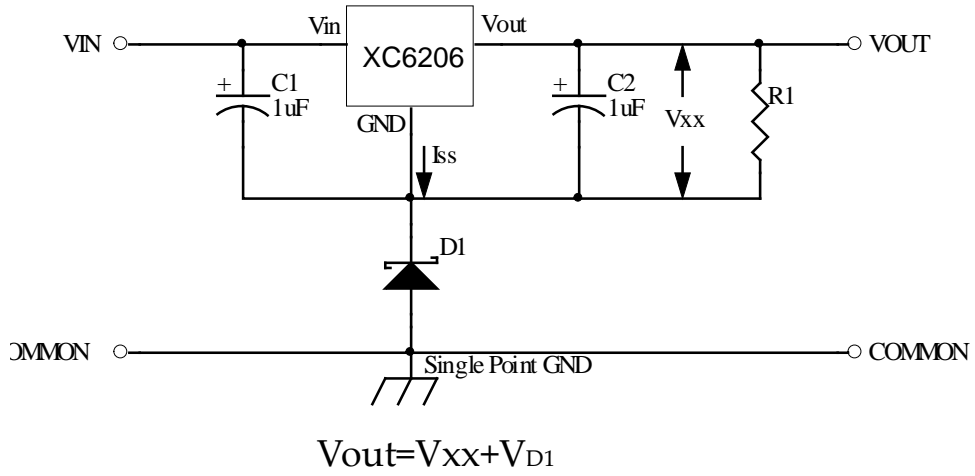


3、提高输出电压值电路（1）

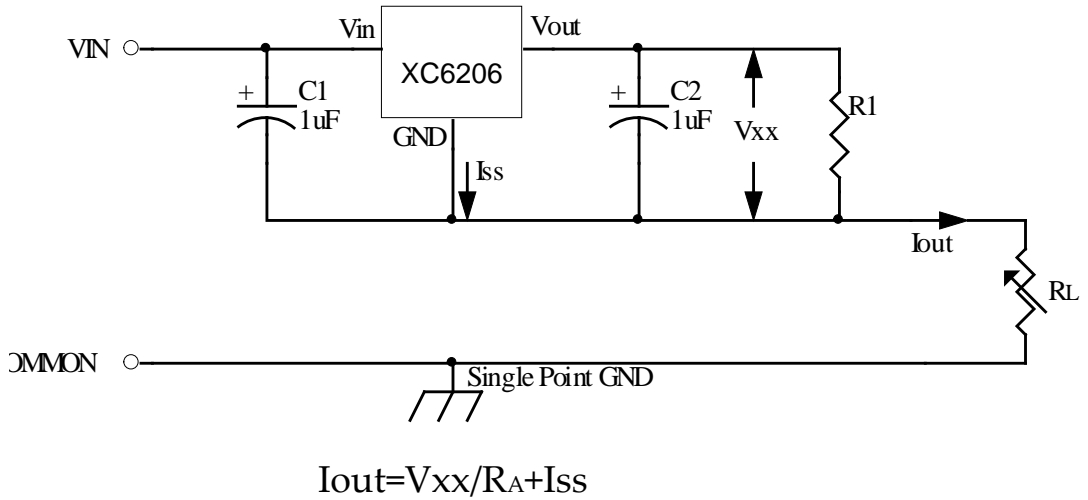


$$V_{out} = V_{xx}(1 + R_2/R_1) + I_{ss}R_2$$

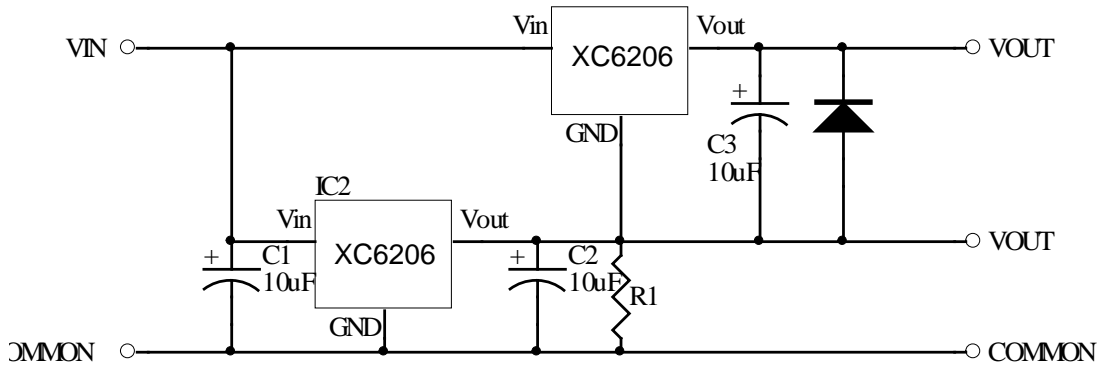
4、提高输出电压电路（2）



5、恒流调整器

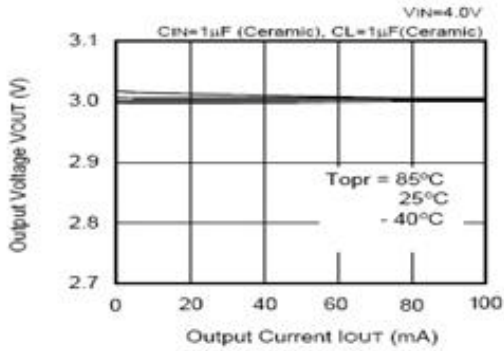


6、双输出

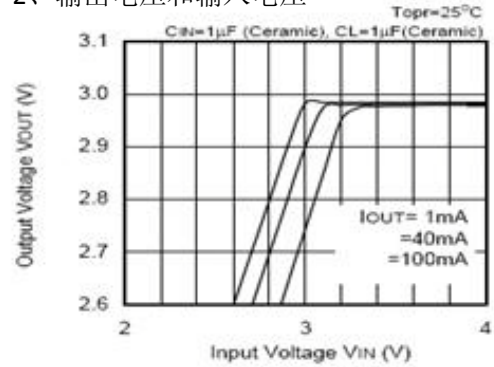


特性曲线图

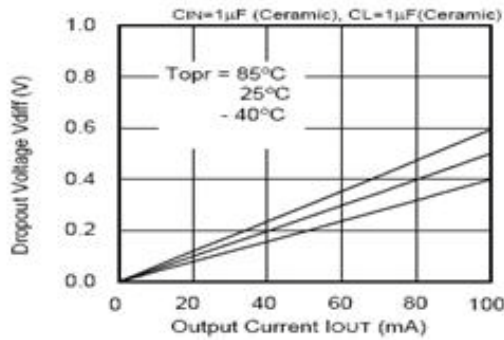
1、输出电压--输出电流（负载电流增加时）



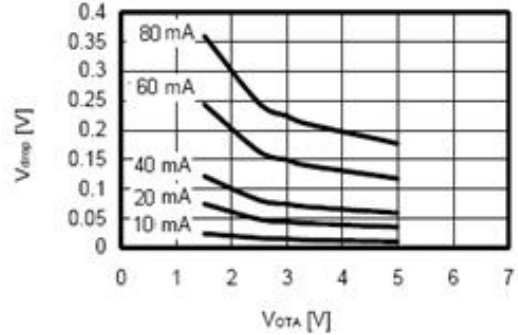
2、输出电压和输入电压



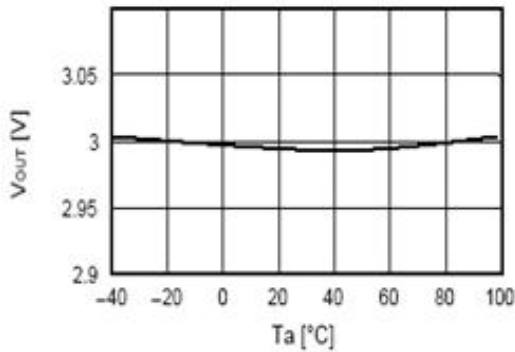
3、Dropout 电压和输出电流



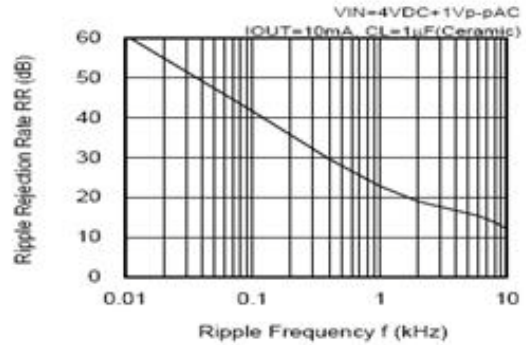
4、Dropout 电压和输出电压



5、输出电压和温度

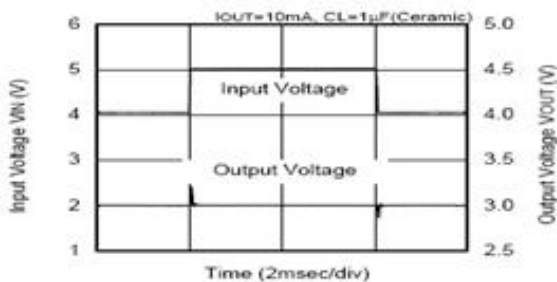


6、纹波抑制

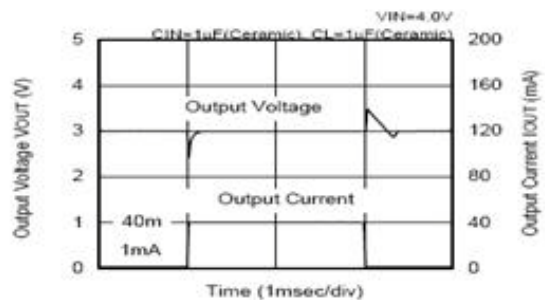


7、瞬态响应

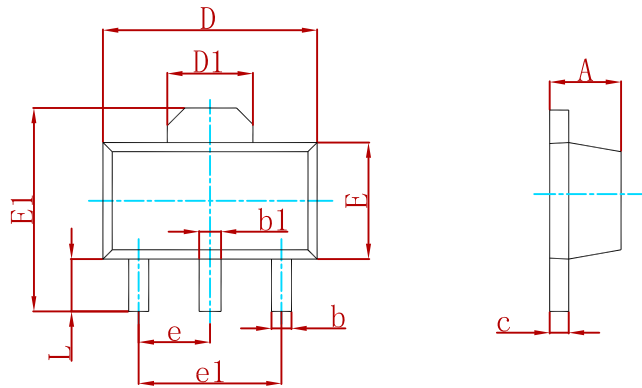
输入过渡响应特性



负载过渡输入响应特性

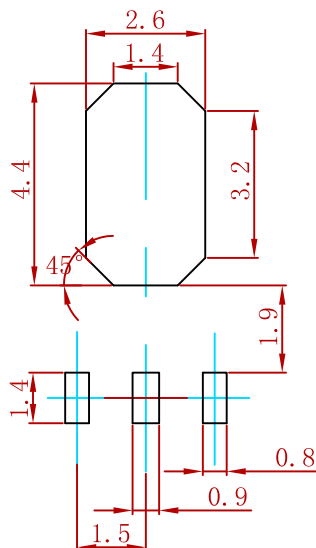


PACKAGE MECHANICAL DATA



Symbol	Dimensions In Millimeters		Dimensions In Inches	
	Min	Max	Min	Max
A	1.400	1.600	0.055	0.063
b	0.320	0.520	0.013	0.020
b1	0.400	0.580	0.016	0.023
c	0.350	0.440	0.014	0.017
D	4.400	4.600	0.173	0.181
D1	1.550 REF.		0.061 REF.	
E	2.300	2.600	0.091	0.102
E1	3.940	4.250	0.155	0.167
e	1.500 TYP.		0.060 TYP.	
e1	3.000 TYP.		0.118 TYP.	
L	0.900	1.200	0.035	0.047

Suggested Pad Layout

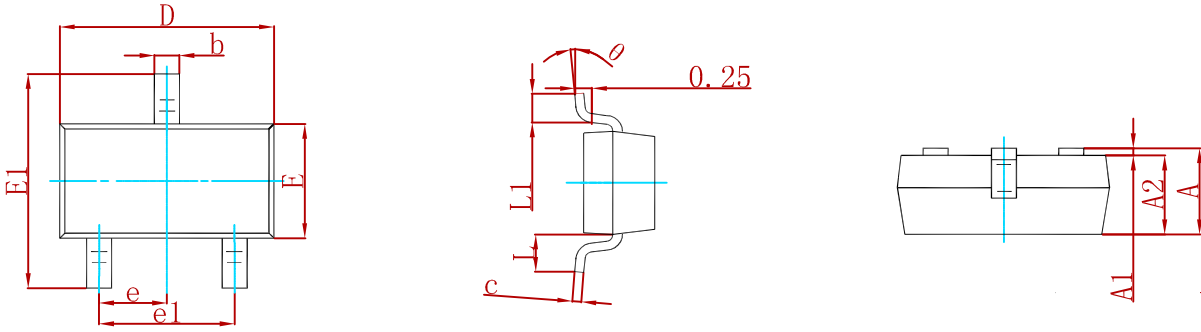


Note:
 1. Controlling dimension: in millimeters.
 2. General tolerance: $\pm 0.05\text{mm}$.
 3. The pad layout is for reference purposes only.

REEL SPECIFICATION

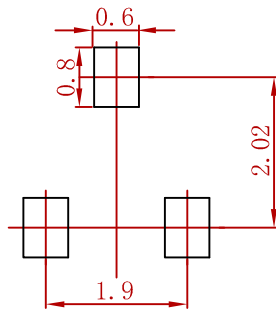
P/N	PKG	QTY
XC6206	SOT-89-3	1000

PACKAGE MECHANICAL DATA



Symbol	Dimensions In Millimeters		Dimensions In Inches	
	Min	Max	Min	Max
A	0.900	1.150	0.035	0.045
A1	0.000	0.100	0.000	0.004
A2	0.900	1.050	0.035	0.041
b	0.300	0.500	0.012	0.020
c	0.080	0.150	0.003	0.006
D	2.800	3.000	0.110	0.118
E	1.200	1.400	0.047	0.055
E1	2.250	2.550	0.089	0.100
e	0.950 TYP		0.037 TYP	
e1	1.800	2.000	0.071	0.079
L	0.550 REF		0.022 REF	
L1	0.300	0.500	0.012	0.020
θ	0°	8°	0°	8°

Suggested Pad Layout



- Note:
1. Controlling dimension: in millimeters.
 2. General tolerance: ± 0.05mm.
 3. The pad layout is for reference purposes only.

REEL SPECIFICATION

P/N	PKG	QTY
XC6206	SOT-23	3000

Attention

- Any and all MSKSEMI Semiconductor products described or contained herein do not have specifications that can handle applications that require extremely high levels of reliability, such as life-support systems, aircraft's control systems, or other applications whose failure can be reasonably expected to result in serious physical and/or material damage. Consult with your MSKSEMI Semiconductor representative nearest you before using any MSKSEMI Semiconductor products described or contained herein in such applications.
- MSKSEMI Semiconductor assumes no responsibility for equipment failures that result from using products at values that exceed, even momentarily, rated values (such as maximum ratings, operating condition ranges, or other parameters) listed in products specifications of any and all MSKSEMI Semiconductor products described or contained herein.
- Specifications of any and all MSKSEMI Semiconductor products described or contained herein stipulate the performance, characteristics, and functions of the described products in the independent state, and are not guarantees of the performance, characteristics, and functions of the described products as mounted in the customer's products or equipment. To verify symptoms and states that cannot be evaluated in an independent device, the customer should always evaluate and test devices mounted in the customer's products or equipment.
- MSKSEMI Semiconductor strives to supply high-quality high-reliability products. However, any and all semiconductor products fail with some probability. It is possible that these probabilistic failures could give rise to accidents or events that could endanger human lives, that could give rise to smoke or fire, or that could cause damage to other property. When designing equipment, adopt safety measures so that these kinds of accidents or events cannot occur. Such measures include but are not limited to protective circuits and error prevention circuits for safe design, redundant design, and structural design.
- In the event that any or all MSKSEMI Semiconductor products (including technical data, services) described or contained herein are controlled under any of applicable local export control laws and regulations, such products must not be exported without obtaining the export license from the authorities concerned in accordance with the above law.
- No part of this publication may be reproduced or transmitted in any form or by any means, electronic or mechanical, including photocopying and recording, or any information storage or retrieval system, or otherwise, without the prior written permission of MSKSEMI Semiconductor.
- Information (including circuit diagrams and circuit parameters) herein is for example only ; it is not guaranteed for volume production. MSKSEMI Semiconductor believes information herein is accurate and reliable, but no guarantees are made or implied regarding its use or any infringement of intellectual property rights or other rights of third parties.
- Any and all information described or contained herein are subject to change without notice due to product/technology improvement, etc. When designing equipment, refer to the "Delivery Specification" for the MSKSEMI Semiconductor product that you intend to use.

单击下面可查看定价，库存，交付和生命周期等信息

[>>MSKSEMI\(美森科\)](#)