

MSKSEMI 美森科

SEMICONDUCTOR



ESD



TVS



TSS



MOV



GDT



PLED

LMV358-MS

Product specification

GENERAL DESCRIPTION

The LMV358-MS is dual CMOS operational amplifier that uses the proprietary auto-calibration technique to simultaneously provides very low offset voltage, near-zero drift over time and temperature. These miniature, high-precision, low quiescent current amplifiers offer high-impedance inputs that have a common-mode range 200mV beyond the rails, and rail-to-rail output that swings within 50mV of the rails, single or dual supplies as low as 2.1V(±1.35V) and up to 5.5V(±2.75V) can be used. These devices are optimized for low voltage, single supply operation.

The LMV358-MS offers excellent CMRR without the crossover associated with traditional complementary input stages. This design results in superior performance for driving analog-to-digital converters(ADC) without degradation of differential linearity. The LMV358-MS is available in the 8-pin VSSOP and TSSOP packages.

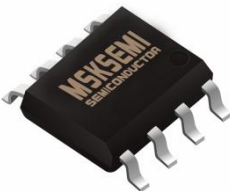
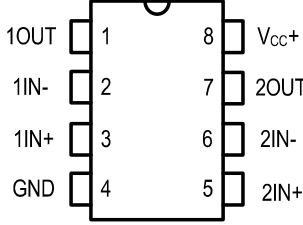

FEATURES

- VDD range: 2.1V to 5.5V
- Low Offset Voltage: 0.5mV (Typical)
- Low Drift: 0.65µV/C (Typical)
- Low Noise
- Quiescent Current: 50µA (Total)
- Rail to Rail Input/Output
- MicroSize Packages: SOP-8

APPLICATIONS

- Transducers
- Temperature Measurement
- Electronic Scales
- Medical instrumentation
- Handheld Test Equipment

Reference News

PACKAGE OUTLINE	PIN CONFIGURATION	Marking
 <p>SOP-8</p>		

PIN DESCRIPTION

Pin Name	Pin Number	Description
1OUT	1	Output 1
1IN-	2	Inverting input 1
1IN+	3	Noninverting input 1
GND	4	Negative (lowest) power supply
2IN+	5	Noninverting input 2
2IN-	6	Inverting input 2
2OUT	7	Output 2
Vcc+	8	Positive (highest) power supply

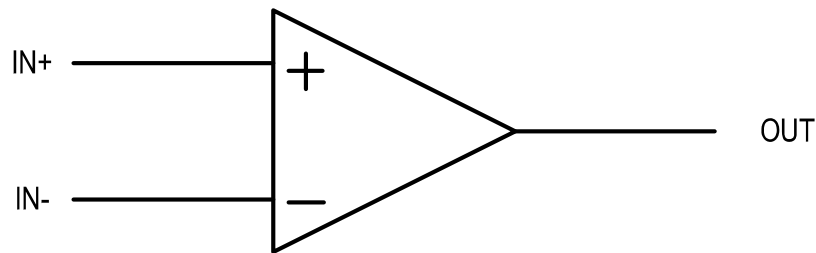
SIMPLIFIED SCHEMATIC

Figure 1.Simplified Schematic

ABSOLUTE MAXIMUM RATINGS

Thermal Resistance θ_{Jc}	130°C/W
Supply Voltage.....	2.1 to 5.5V
Signal Input Terminals Voltage...-	0.1 to (V+)+0.1V
Operating Junction Temperature.....	150°C
Operating Temperature Range.....	-55°C to 125°C
Storage Temperature	-65°C to 150°C

ELECTRICAL CHARACTERISTICS

 (At $T_A=25^{\circ}\text{C}$, $R_L=10\text{k}$ to $V_s/2$, and $V_{our}=V_s/2$, unless

PARAMETER	CONDITIONS	MIN	TYP	MAX	UNIT
Input Offset Voltage	$V_s=\pm 2.5\text{V}$	-2	0.5	2	mV
Input Offset Voltage Drift	$T_A=-55^{\circ}\text{C}$ to 125°C		0.65		$\mu\text{V}/^{\circ}\text{C}$
Power Supply Rejection Ratio	$V_s=2.1\text{V}$ to 5.5V $T_A=-55^{\circ}\text{C}$ to 125°C	80	90		dB
Input Bias Current	$T_A=25^{\circ}\text{C}$		2		pA
Input Offset Current			1		pA
Common-mode Voltage Range		(V-)-0.1		(V+)+0.1	V
Common-mode Rejection Ratio	$(V-)-0.1 < V_{cm} < (V+)+0.1$ $T_A=-55^{\circ}\text{C}$ to 125°C	80	95		dB
Open Loop Voltage Gain	$(V-)+100\text{mV} < V_o < (V+)-100\text{mV}$ $R_L=10\text{k}$ $T_A=-55^{\circ}\text{C}$ to 125°C	80	100		dB
Gain-bandwidth product	$C_L=120\text{pF}$		1.5		MHz
Slew Rate	$G=+1$		1.2		$\text{V}/\mu\text{s}$
Specified Voltage Range		2.1		5.5	V
Quiescent Current (Total)	$I_o=0\text{A}$		50		μA
Operating Temperature Range		-55		125	$^{\circ}\text{C}$
Storage Temperature Range		-65		150	$^{\circ}\text{C}$

TYPICAL PERFORMANCE CHARACTERISTICS

(At $T_A = 25^\circ\text{C}$, $V_S = 5\text{V}$, $C_L = 20\text{pF}$, unless otherwise noted.)

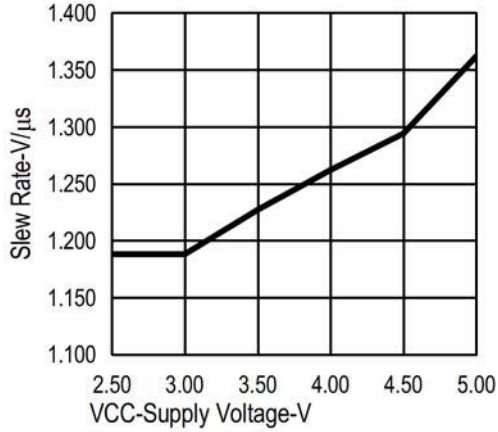


Figure 2. Slew Rate vs Supply Voltage

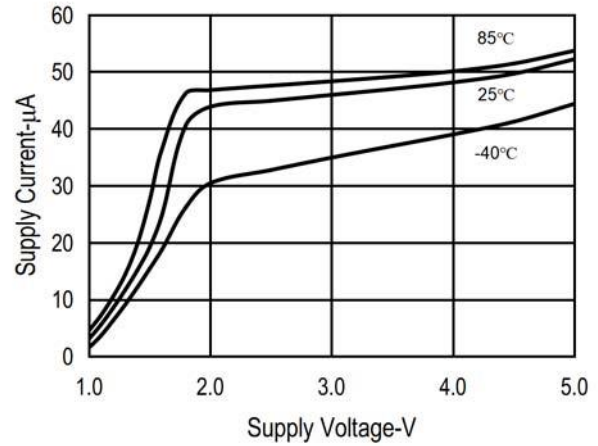


Figure 3. Supply Current vs Supply Voltage

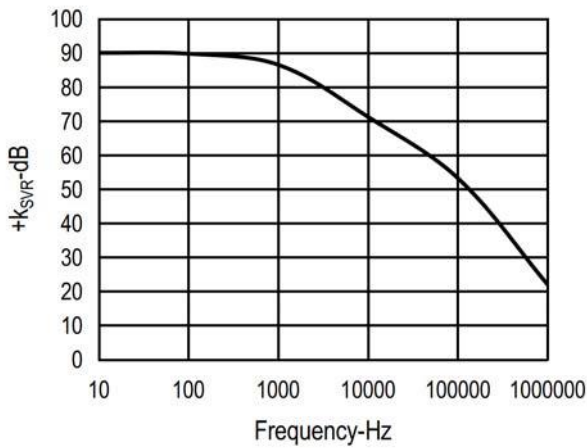


Figure 4. +ksvR vs Frequency

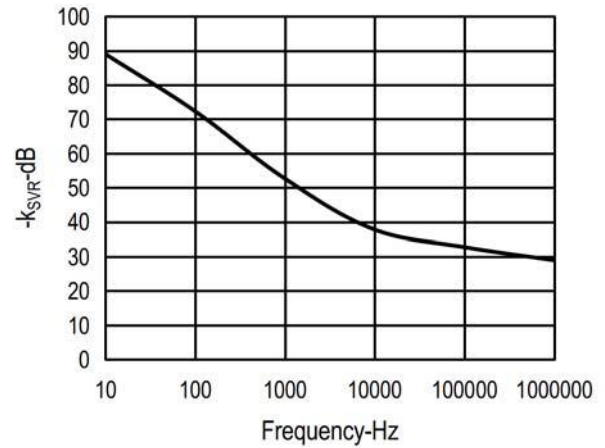


Figure 5. -ksvR vs Frequency

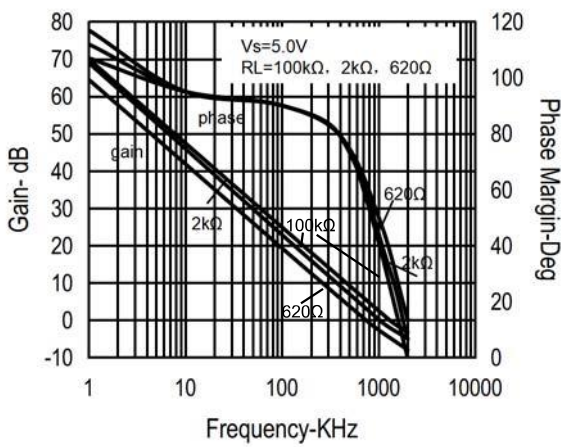


Figure 6. Frequency Response vs Resistive Load

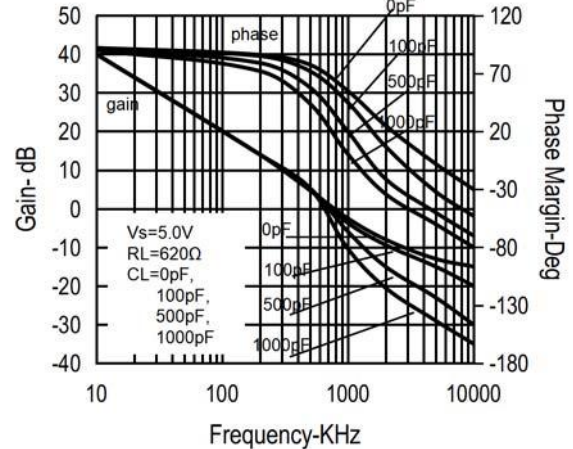


Figure 7. Frequency Response vs Capacitive Load

TYPICAL PERFORMANCE CHARACTERISTICS

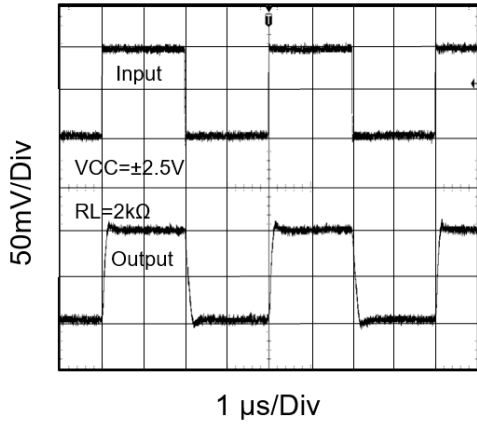


Figure 8. Noninverting Small-Signal Pulse Response

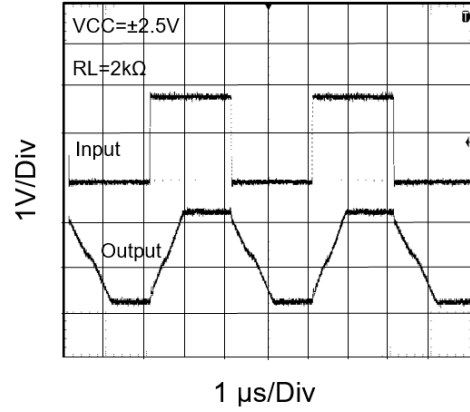


Figure 9. Noninverting Large-Signal Pulse Response

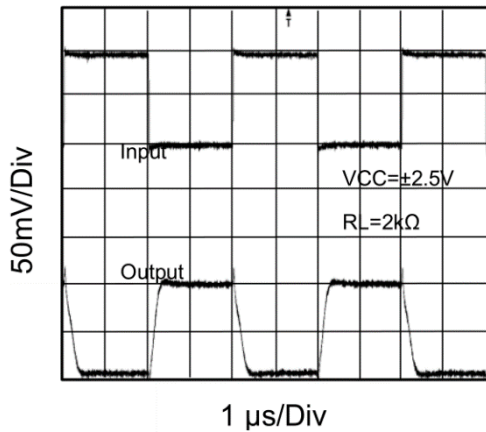


Figure 10. Inverting Small-Signal Pulse Response

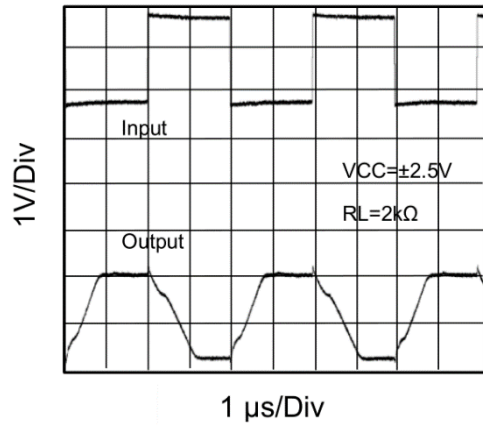


Figure 11. Inverting Large-Signal Pulse Response

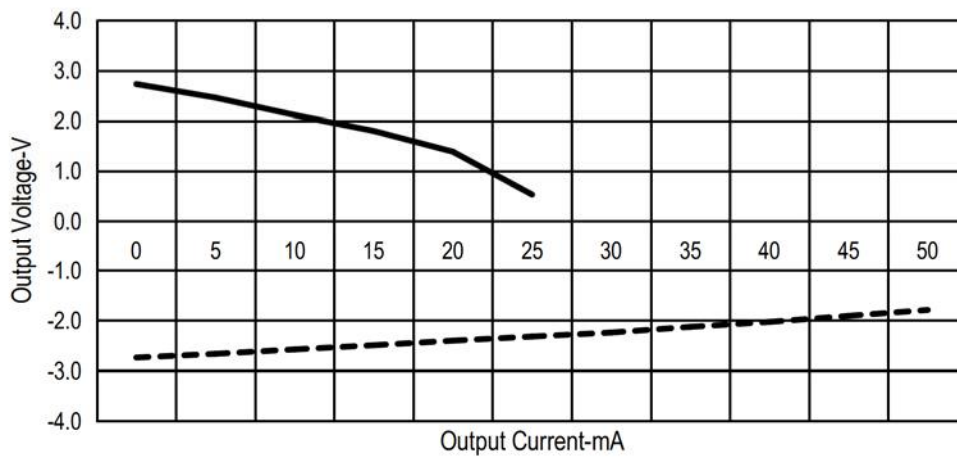


Figure 12. Output Voltage vs Output Current

FUNCTIONAL DESCRIPTION

Operating Voltage

The LMV358-MS device is fully specified and ensured for operation from 2.1V to 5.5V. In addition, many specifications apply from -55°C to 125°C. Parameters that vary significantly with operating voltages or temperature are shown in the Typical Characteristics graphs.

Unity-Gain Bandwidth

The unity-gain bandwidth is the frequency up to which an amplifier with a unity gain may be operated without greatly distorting the signal. The LMV358-MS device has a 1.5-MHz unity-gain bandwidth.

Slew Rate

The slew rate is the rate at which an operational amplifier can change its output when there is a change on the input. The LMV358-MS devices have a 1.2-V/ μ s slew rate. The LMV358-MS is characterized to perform with this technique; the recommended resistor value is approximately 20 k.

Device Functional Modes

The LMV358-MS device has a single functional mode. The device is powered on as long as the power supply voltage is between 2.1V(\pm 1.35V) and 5.5V(\pm 2.75V).

APPLICATIONS INFORMATION

The LMV358-MS is a unity-gain stable, precision operational amplifier with very low offset voltage drift; these devices are also free from output phase reversal. Applications with noisy or high-impedance power supplies require decoupling capacitors close to the device power-supply pins. In most cases, 0.1 μ F capacitors are adequate.

Typical Application

Figure 13 shows a simple circuit to convert a single-ended input into differential output. The LMV358-MS could be used to build this circuit. The circuit is composed of two amplifiers. One amplifier acts as a buffer and creates a voltage, V_{out+} . The second amplifier inverts the input and adds a reference voltage to generate V_{out-} . Both V_{out+} and V_{out-} range from 0.5 to 2V. The difference, V_{DIFF} , is the difference between V_{out+} and V_{out-} .

Detailed Design Procedure

Linearity over the input range is key for good dc accuracy. The common mode input range and the output swing limitations determine the linearity. In general, an amplifier with rail-to-rail input and output swing is required. Bandwidth is a key concern for this design. Because LMV358-MS has a bandwidth of 1 MHz, this circuit will only be able to process signals with frequencies of less than 1 MHz.

Because the transfer function of V_{out-} is heavily reliant on resistors (R_1 , R_2 , R_3 , and R_4), use resistors with low tolerances to maximize performance and minimize error. This design used resistors with resistance values of 36 k with tolerances measured to be within 2%. If the noise of the system is a key parameter, the user can select smaller resistance values (6 k or lower) to keep the overall system noise low. This ensures that the noise from the resistors is lower than the amplifier noise.

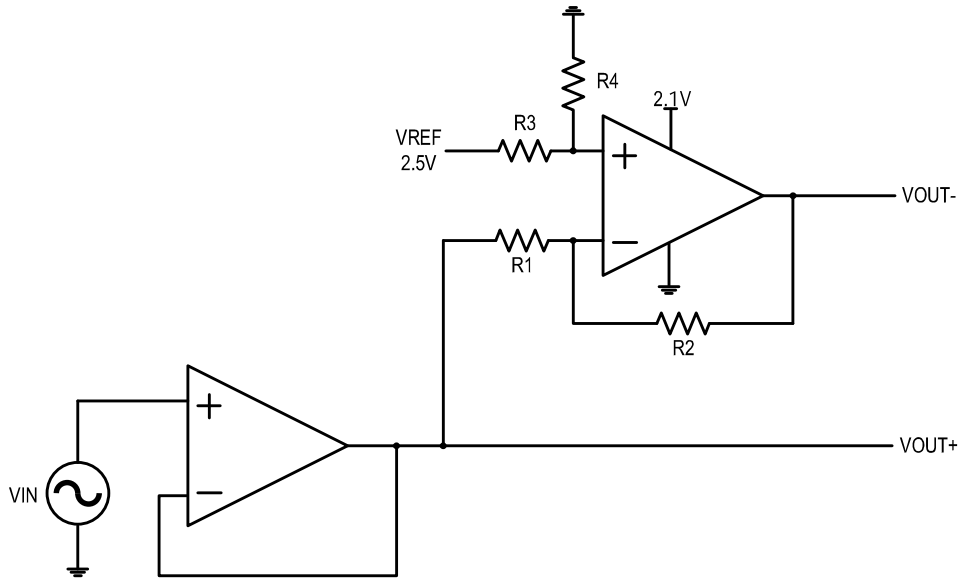
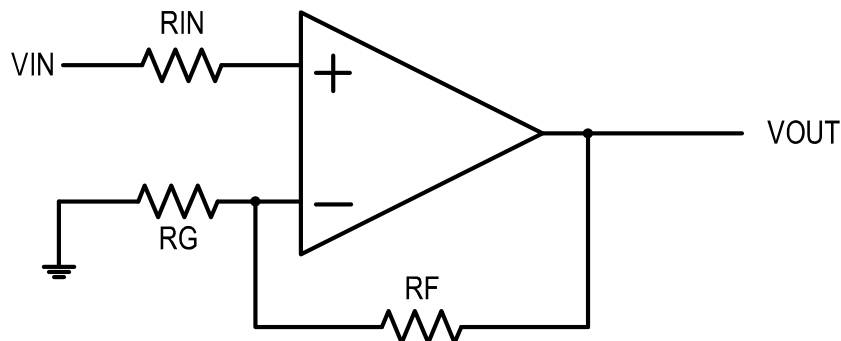


Figure 13. Schematic for Single-Ended Input to Differential Output Conversion

LAYOUT

Use good PCB layout practices for best operational performance of the device, including:

- Keep the length of input traces as short as possible.
- Run the input traces as far away from the supply lines as possible to reduce parasitic coupling.
- Place components close to device and to each other to reduce parasitic capacitance and parasitic errors.
- Use low-ESR, ceramic bypass capacitors to reduce the coupled noise by providing low impedance power sources local to the analog circuitry.
- Grounding for analog and digital portions of circuitry separately to suppress the noise.



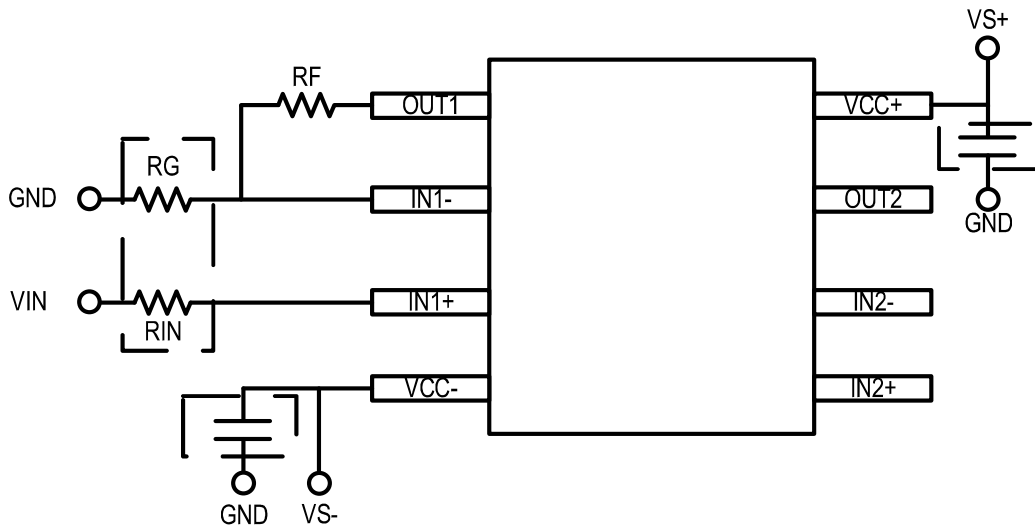
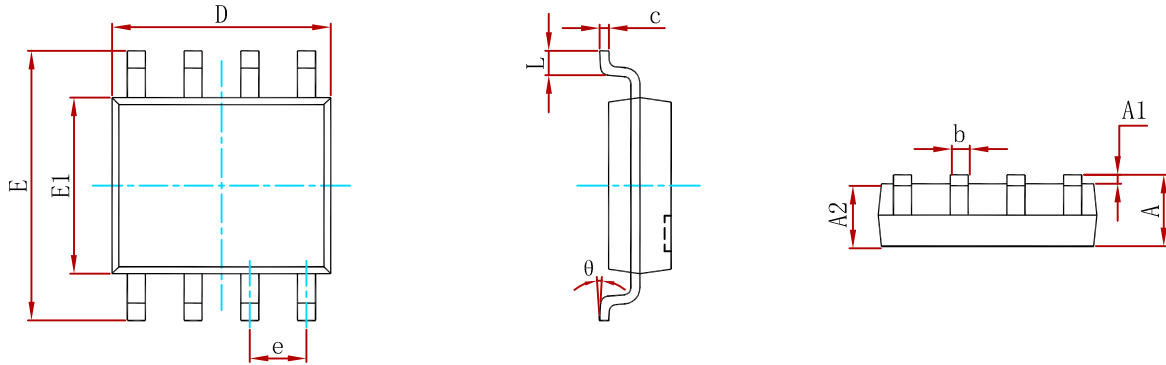


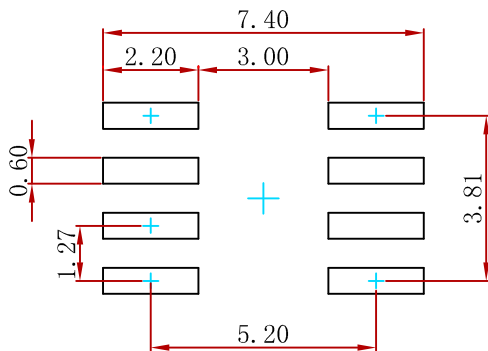
Figure 14. Operational Amplifier Schematic and Board Layout for Noninverting Configuration

PACKAGE MECHANICAL DATA



Symbol	Dimensions In Millimeters		Dimensions In Inches	
	Min	Max	Min	Max
A	1.350	1.750	0.053	0.069
A1	0.100	0.250	0.004	0.010
A2	1.350	1.550	0.053	0.061
b	0.330	0.510	0.013	0.020
c	0.170	0.250	0.007	0.010
D	4.800	5.000	0.189	0.197
e	1.270 (BSC)		0.050 (BSC)	
E	5.800	6.200	0.228	0.244
E1	3.800	4.000	0.150	0.157
L	0.400	1.270	0.016	0.050
theta	0°	8°	0°	8°

Suggested Pad Layout



Note:
 1. Controlling dimension: in millimeters.
 2. General tolerance: ± 0.05mm.
 3. The pad layout is for reference purposes only.

REEL SPECIFICATION

P/N	PKG	QTY
LMV358-MS	SOP-8	2500PCS

Attention

- Any and all MSKSEMI Semiconductor products described or contained herein do not have specifications that can handle applications that require extremely high levels of reliability, such as life-support systems, aircraft's control systems, or other applications whose failure can be reasonably expected to result in serious physical and/or material damage. Consult with your MSKSEMI Semiconductor representative nearest you before using any MSKSEMI Semiconductor products described or contained herein in such applications.
- MSKSEMI Semiconductor assumes no responsibility for equipment failures that result from using products at values that exceed, even momentarily, rated values (such as maximum ratings, operating condition ranges, or other parameters) listed in products specifications of any and all MSKSEMI Semiconductor products described or contained herein.
- Specifications of any and all MSKSEMI Semiconductor products described or contained herein stipulate the performance, characteristics, and functions of the described products in the independent state, and are not guarantees of the performance, characteristics, and functions of the described products as mounted in the customer's products or equipment. To verify symptoms and states that cannot be evaluated in an independent device, the customer should always evaluate and test devices mounted in the customer's products or equipment.
- MSKSEMI Semiconductor strives to supply high-quality high-reliability products. However, any and all semiconductor products fail with some probability. It is possible that these probabilistic failures could give rise to accidents or events that could endanger human lives, that could give rise to smoke or fire, or that could cause damage to other property. When designing equipment, adopt safety measures so that these kinds of accidents or events cannot occur. Such measures include but are not limited to protective circuits and error prevention circuits for safe design, redundant design, and structural design.
- In the event that any or all MSKSEMI Semiconductor products (including technical data, services) described or contained herein are controlled under any of applicable local export control laws and regulations, such products must not be exported without obtaining the export license from the authorities concerned in accordance with the above law.
- No part of this publication may be reproduced or transmitted in any form or by any means, electronic or mechanical, including photocopying and recording, or any information storage or retrieval system, or otherwise, without the prior written permission of MSKSEMI Semiconductor.
- Information (including circuit diagrams and circuit parameters) herein is for example only ; it is not guaranteed for volume production. MSKSEMI Semiconductor believes information herein is accurate and reliable, but no guarantees are made or implied regarding its use or any infringement of intellectual property rights or other rights of third parties.
- Any and all information described or contained herein are subject to change without notice due to product/technology improvement, etc. When designing equipment, refer to the "Delivery Specification" for the MSKSEMI Semiconductor product that you intend to use.

单击下面可查看定价，库存，交付和生命周期等信息

[>>MSKSEMI\(美森科\)](#)