

MSKSEMI

SEMICONDUCTOR



ESD



TVS



TSS



MOV



GDT



PLED

Product data sheet

www.msksemi.com

GENERAL DESCRIPTION

LM358 是一款双路低功耗的差分式运算放大器。具有单、双电源供电的特点。具有较高的开环增益、内部补偿、高共模范围和良好的温度稳定性，以及具有输出短路保护的特点。可应用于传感器的放大电路、直流放大模块，音频放大电路和传统的运算放大电路中。

FEATURES

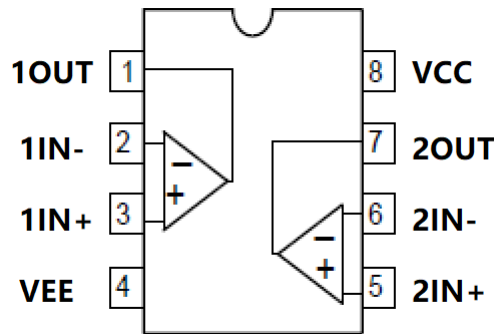
- 内部频率补偿
- 短路保护
- 低功耗：单路典型值 300uA
- 封装形式：DIP8、SOP8
- 高输入单电源电压范围：3V~36V
- 高输入双电源电压范围：±18V
- 单位增益带宽：大于 1.2MHZ

APPLICATION

- 传感器信号放大器
- 直流增益
- 音频放大器
- 其它应用领域

PIN CONFIGURATION

DIP8/SOP8 管脚序号	管脚定义	功能说明
1	1OUT1	运放输出端
2	1IN-	运放输入负端
3	1IN+	运放输入正端
4	VEE	负电源端
5	2IN+	运放输入正端
6	2IN-	运放输入负端
7	2OUT	运放输出端
8	VCC	正电源端



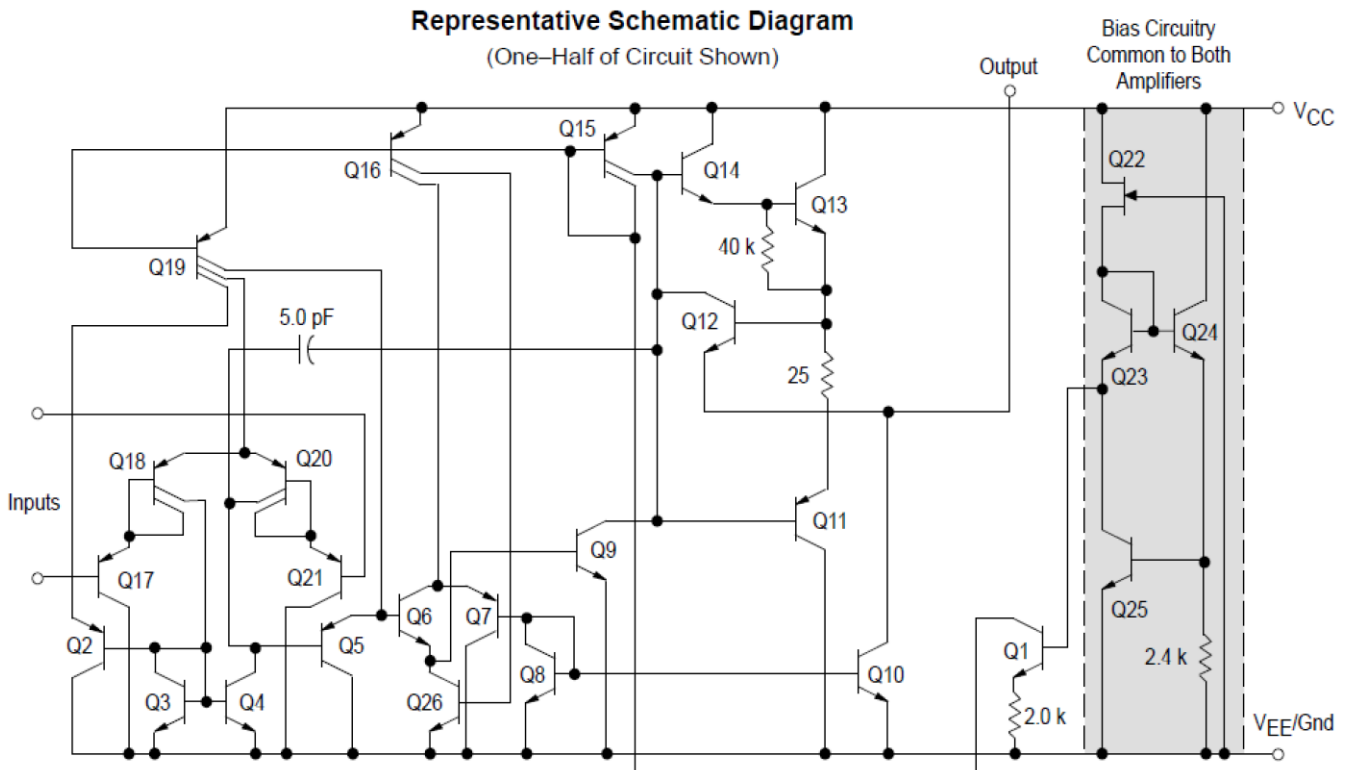
极限参数

参数	符号	极限值 ⁽²⁾	单位
单电源供电电压	V_{CC}	40	V
双电源供电电压	V_S	± 20	V
差分输入电压 ⁽¹⁾	V_{IDR}	± 32	V
输入电压	V_I	0.3~40V	V
输出短路时间	t_{SC}	连续	
耗散功率	P_D	400	mW
工作温度	T_A	0~70	$^{\circ}C$
储存温度	T_S	-65~150	$^{\circ}C$
焊接温度	T_W	260, 10s	$^{\circ}C$

注：（1）输入端NI+相对于IN-之间的最大电压差。

（2）极限参数是指无论在任何条件下都不能超过的极限值。如果超过此极限值，将有可能造成产品劣化等物理性损伤；同时在接近极限参数下，不能保证芯片可以正常工作。

逻辑框图

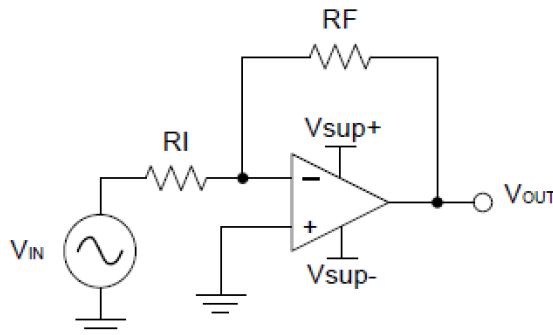


直流电学特性 ($T_A=25^\circ\text{C}$, $V_{CC}=5\text{V}$, $V_{EE}=\text{GND}$ 除非特别指定)

项目	符号	测试条件	最小值	典型值	最大值	单位
输入失调电压	V_{IO}	$V_{CC}=5\text{V to MAX}$, $V_{IC}=V_{ICR}(\text{min})$, $V_O=1.4\text{V}$	-	5	-	mV
输入失调电流	I_{IO}	$V_O = 1.4\text{V}$	-	10	50	nA
偏置电流	I_{BIAS}	$V_O = 1.4\text{V}$	-	50	250	nA
输入共模电压	V_{ICR}	$V_{CC}=5\text{V to }36\text{V}$	V_{EE}	-	$V_{CC}-1.5\text{V}$	V
输出高电压	V_{OH}	$V_{CC}=28\text{V}$, $R_L=2\text{k}$		26	-	V
输出低电压	V_{OL}	$V_{CC}=28\text{V}$, $R_L=2\text{k}$	-	0.85	-	V
开环电压增益	A_{OL}	$V_{CC}=15\text{V}$, $V_O=1\text{V to }11\text{V}$, $R_L \geq 2\text{k}\Omega$	70	100	-	V/mV
共模抑制比	CMRR	$V_{CC}=5\text{V to MAX}$, $V_{IC}=V_{ICR}(\text{min})$	65	80	-	dB
单位增益带宽	GBWP	--	-	1.2	-	MHZ
电源电压抑制比 PSRR	$\Delta V_{VDD}/\Delta V_{IO}$	$V_{CC}=5\text{V to MAX}$, $f=20\text{kHz}$	-	90	-	dB
串扰衰减抑制比 CS	V_{O1}/V_{O2}	$f=1\text{MHz}$ / $f=1\text{kHz to }20\text{kHz}$	-	120	-	dB
电压输出幅值	VO+	$V_{CC}=15\text{V}$, $I_{out} = 50\mu\text{A}$	-	13.7	13.5	V
		$V_{CC}=15\text{V}$, $I_{out} = 1\text{mA}$	-	13.6	13.3	V
		$V_{CC}=15\text{V}$, $I_{out} = 5\text{mA}$	-	13.4	13	V
	VO-	$V_{CC}=15\text{V}$, $I_{out} = 50\mu\text{A}$	-	0.1	0.15	V
		$V_{CC}=15\text{V}$, $I_{out} = 1\text{mA}$	-	0.75	1	V
		$V_{CC}=15\text{V}$, $I_{out} = 5\text{mA}$	-	1	1.5	V
输出短路电流	I_{OS}	$V_{CC}=5\text{V}$, $V_{EE}=-5\text{V}$, $V_O=0\text{V}$	-	± 24	-	mA
电源工作电流	I_{CC}	$V_{CC}=5\text{V}$, $V_O=1/2V_{CC}$, No load	-	0.5	-	mA
		$V_{CC}=36$, $V_O=1/2V_{CC}$, No load	-	0.8	-	mA
双电源电压	VS	V_{CC} , V_{EE}	-18	-	+18	V

典型应用

1、线路图



运算放大器在反相放大器中的典型应用图

2、设计要求

必须选择大于输入电压范围和输出范围的电源电压。

例如，将信号源 VIN 从 ±0.5 V 放大到 ±1.8V。将电源设置为 ±5 V 足以适应此应用要求。

3、设计过程

根据公式(1)计算放大倍数(增益) AV

$$A_V = -V_O/V_{IN} \quad \text{----- (1)}$$

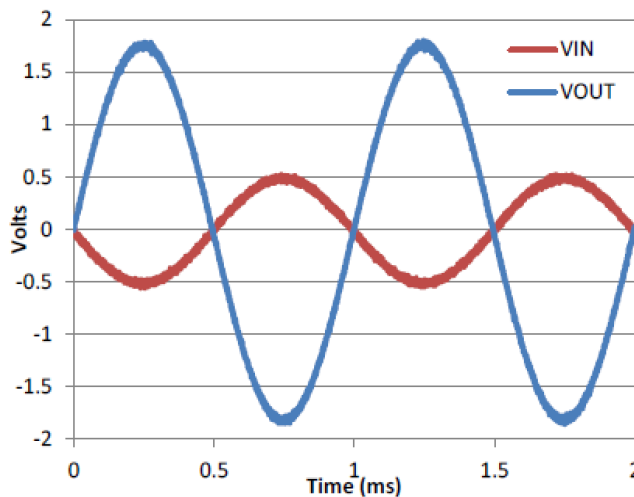
$$A_V = -V_O/V_{IN} = -1.8/0.5 = -3.6$$

一旦确定了所需的增益 AV，就要为 RI 或 RF 电阻选择一个值。根据运放的电特性及功耗的需要，可选择 1kΩ-100kΩ 范围内的值。本例将选择 RI=10 kΩ，则 RF=36kΩ。这由方程式 2 确定。

$$A_V = -R_F/R_I \quad \text{----- (2)}$$

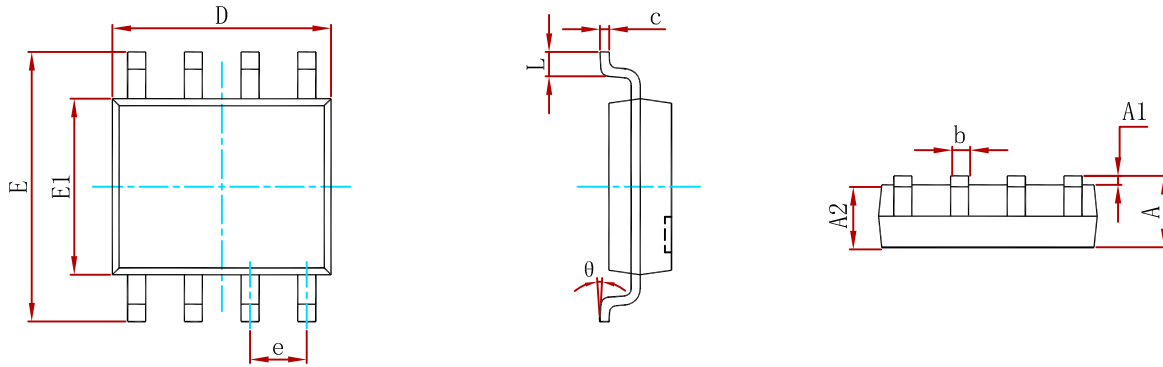
$$R_F = -A_V * R_I = 3.6 * 10 = 36 \text{ k}\Omega$$

4、应用曲线图



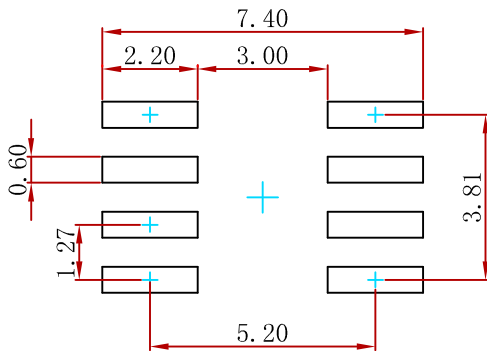
反相放大器的输入电压 VS 输出电压

PACKAGE MECHANICAL DATA



Symbol	Dimensions In Millimeters		Dimensions In Inches	
	Min	Max	Min	Max
A	1.350	1.750	0.053	0.069
A1	0.100	0.250	0.004	0.010
A2	1.350	1.550	0.053	0.061
b	0.330	0.510	0.013	0.020
c	0.170	0.250	0.007	0.010
D	4.800	5.000	0.189	0.197
e	1.270 (BSC)		0.050 (BSC)	
E	5.800	6.200	0.228	0.244
E1	3.800	4.000	0.150	0.157
L	0.400	1.270	0.016	0.050
θ	0°	8°	0°	8°

Suggested Pad Layout

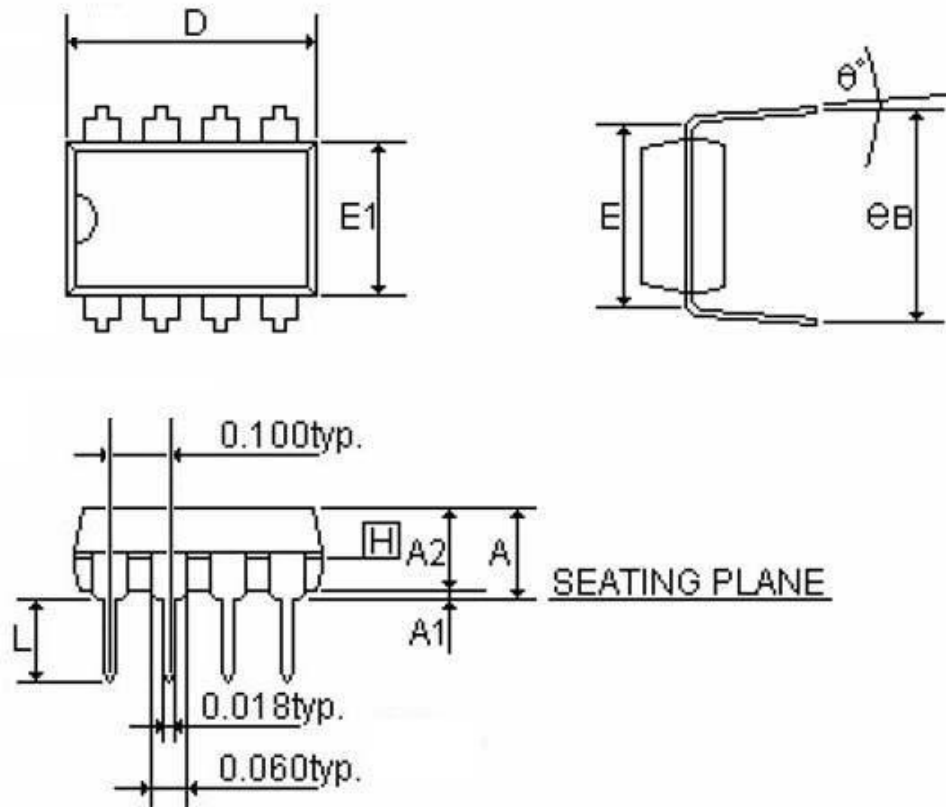


- Note:
1. Controlling dimension: in millimeters.
 2. General tolerance: ± 0.05mm.
 3. The pad layout is for reference purposes only.

REEL SPECIFICATION

P/N	PKG	QTY
LM358	SOP-8	2500

DIP 8



SYMBOLS	MIN	NOR	MAX	MIN	NOR	MAX
	(inch)			(mm)		
A	-	-	0.210	-	-	5.334
A1	0.015	-	-	0.381	-	-
A2	0.125	0.130	0.135	3.175	3.302	3.429
D	0.435	0.455	0.475	15.669	16.050	16.685
E	0.300			7.62		
E1	0.245	0.250	0.255	6.223	6.35	6.477
L	0.115	0.130	0.150	2.921	3.302	3.810
e B	0.335	0.355	0.375	8.509	9.017	9.525
θ°	0°	7°	15°	0°	7°	15°

Attention

- Any and all MSKSEMI Semiconductor products described or contained herein do not have specifications that can handle applications that require extremely high levels of reliability, such as life-support systems, aircraft's control systems, or other applications whose failure can be reasonably expected to result in serious physical and/or material damage. Consult with your MSKSEMI Semiconductor representative nearest you before using any MSKSEMI Semiconductor products described or contained herein in such applications.
- MSKSEMI Semiconductor assumes no responsibility for equipment failures that result from using products at values that exceed, even momentarily, rated values (such as maximum ratings, operating condition ranges, or other parameters) listed in products specifications of any and all MSKSEMI Semiconductor products described or contained herein.
- Specifications of any and all MSKSEMI Semiconductor products described or contained herein stipulate the performance, characteristics, and functions of the described products in the independent state, and are not guarantees of the performance, characteristics, and functions of the described products as mounted in the customer's products or equipment. To verify symptoms and states that cannot be evaluated in an independent device, the customer should always evaluate and test devices mounted in the customer's products or equipment.
- MSKSEMI Semiconductor strives to supply high-quality high-reliability products. However, any and all semiconductor products fail with some probability. It is possible that these probabilistic failures could give rise to accidents or events that could endanger human lives, that could give rise to smoke or fire, or that could cause damage to other property. When designing equipment, adopt safety measures so that these kinds of accidents or events cannot occur. Such measures include but are not limited to protective circuits and error prevention circuits for safe design, redundant design, and structural design.
- In the event that any or all MSKSEMI Semiconductor products (including technical data, services) described or contained herein are controlled under any of applicable local export control laws and regulations, such products must not be exported without obtaining the export license from the authorities concerned in accordance with the above law.
- No part of this publication may be reproduced or transmitted in any form or by any means, electronic or mechanical, including photocopying and recording, or any information storage or retrieval system, or otherwise, without the prior written permission of MSKSEMI Semiconductor.
- Information (including circuit diagrams and circuit parameters) herein is for example only ; it is not guaranteed for volume production. MSKSEMI Semiconductor believes information herein is accurate and reliable, but no guarantees are made or implied regarding its use or any infringement of intellectual property rights or other rights of third parties.
- Any and all information described or contained herein are subject to change without notice due to product/technology improvement, etc. When designing equipment, refer to the "Delivery Specification" for the MSKSEMI Semiconductor product that you intend to use.

单击下面可查看定价，库存，交付和生命周期等信息

[>>MSKSEMI\(美森科\)](#)