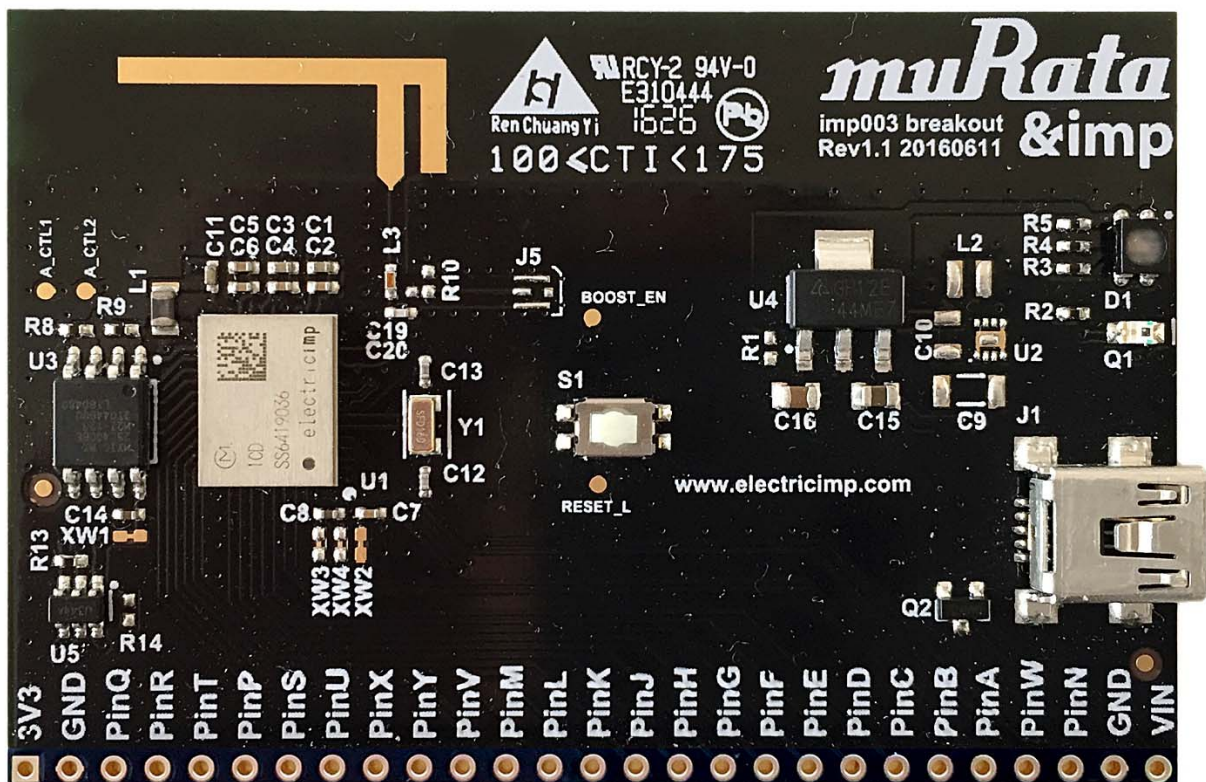


## imp003 Breakout

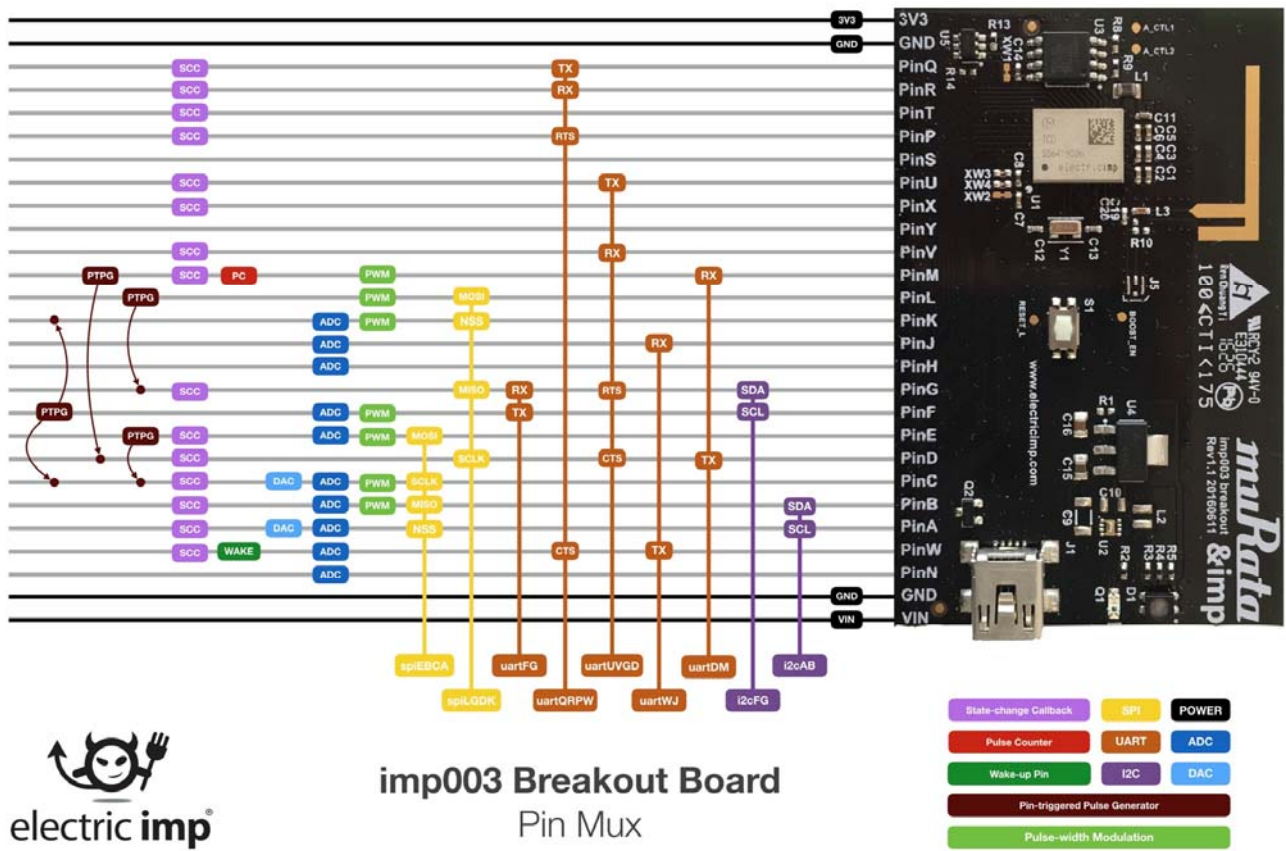
The imp003 breakout board provides basic life support for the imp003 (Murata LBWA1ZV1CD). The design includes power supply and GPIO breakout for the module, as well as the antenna, 32kHz crystal (for maintaining the real-time clock when offline), load switch for the radio power domain, and required SPI Flash.



## Set up

To set up an imp003 Breakout Board, please see this page.

# Pinout Chart



imp003 Breakout Board  
Pin Mux

[Click for larger version](#)

## Power

Power can be supplied using a USB Mini-B cable from a USB Charger or a standard USB Port, though the data lines are not connected to anything. Optionally, power can be provided through the VIN header on the board edge.

imp003-breakout includes footprint options for two different power supplies. By default, a 3.3V LDO is populated as the system power supply. Using the LDO power supply, it is not recommended that the supply voltage exceed 6V, for heat dissipation reasons.

Alternatively, footprints are included for a TI TPS62172 DC/DC buck power supply. If this option is used in place of the LDO, the board can safely be operated from 3.3V to 17V DC.

Both power supply options include reverse-voltage protection, which is especially helpful for any application with removable batteries where they may be inserted backwards by the user.

The USB connector should not be connected if power is provided through the VIN header on the board edge.

## Signals

All of the signals from the imp003 come out to a header. For descriptions of header pin functions, please see the [imp003 pin mux](#).

## Hardware Design Files (Rev 1.1)

- Schematics
- Gerber Files
- Bill of Materials
- Altium Source Files

<https://developer.electricimp.com/hardware/resources/reference-designs/imp003breakout> 4-27-18

单击下面可查看定价，库存，交付和生命周期等信息

[>>Murata\(村田\)](#)