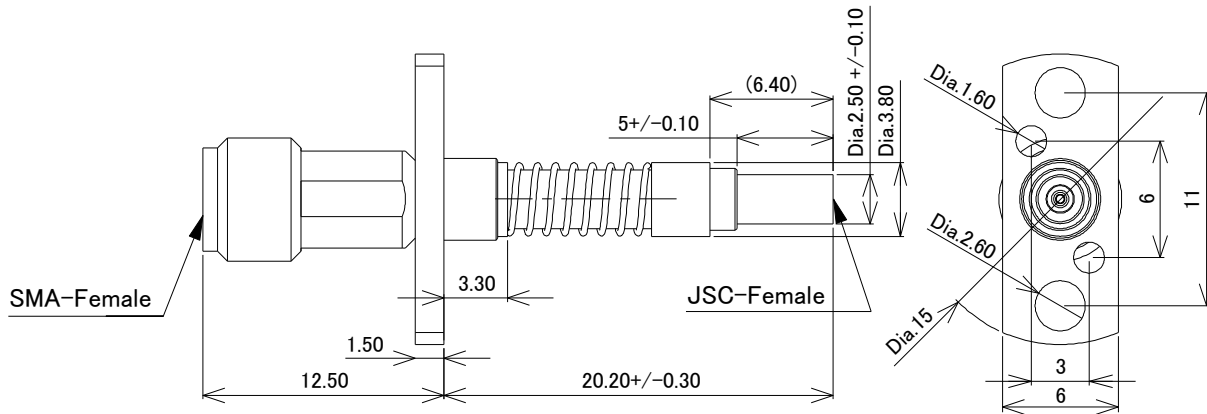


1. MECHANICAL

>A>B>C

Automatic measurement probe for JSC-Male.

MM121540 and MM121542 are used as calibration adapter.



Scale: Free
Tolerance Unless
Otherwise Specified: +/- 0.5
Unit: mm

Figure.1 Construction

2. RATING:

Item	Specification
Voltage Rating	30Vr.m.s. maximum
A> Nominal Frequency Range	DC to 12GHz
Nominal Impedance	50Ω
Temperature Rating	-40°C to +85°C
Insulation Resistance	500 MΩ minimum
Withstanding Voltage	No evidence of breakdown
A> Voltage Standing Wave Ratio (V.S.W.R.)	Meet the requirements of following spec. 1.3 max. (DC to 3GHz) 1.3 max. (3GHz to 6GHz) 1.8 max. (6GHz to 9GHz) 2.3 max. (9GHz to 12GHz)
A> Durability	750K cycles

3. USE THIS PRODUCTS

3.1 The directions for attachment to measurement machine.

The probe must be attached to machine at the two screw holes in probe flange. (Figure 2)

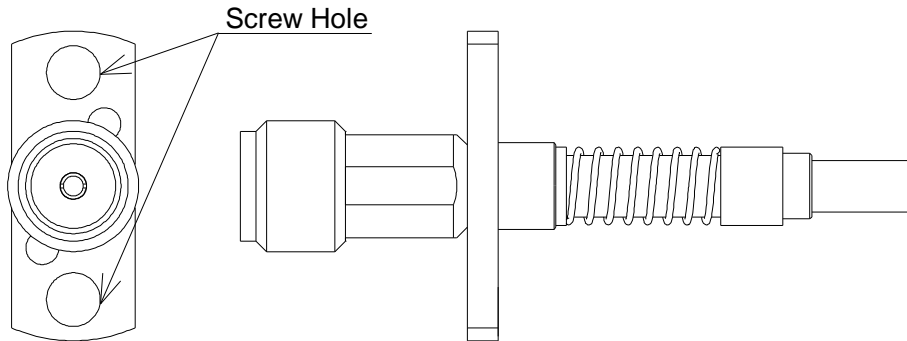


Figure.2 Screw hole size

>D

3.2 The tolerance of position against JSC-Male.

Probe has the centering function by itself, +/-0.5mm is permitted against the hole center of JSC-Male.

Please avoid needless force to SMA-Female connector to come back the original position when disengagement of probe.

The engagement strokes from the bottom surface of flange to the tip of probe is 17.7mm to 19.2mm. (Figure 3)

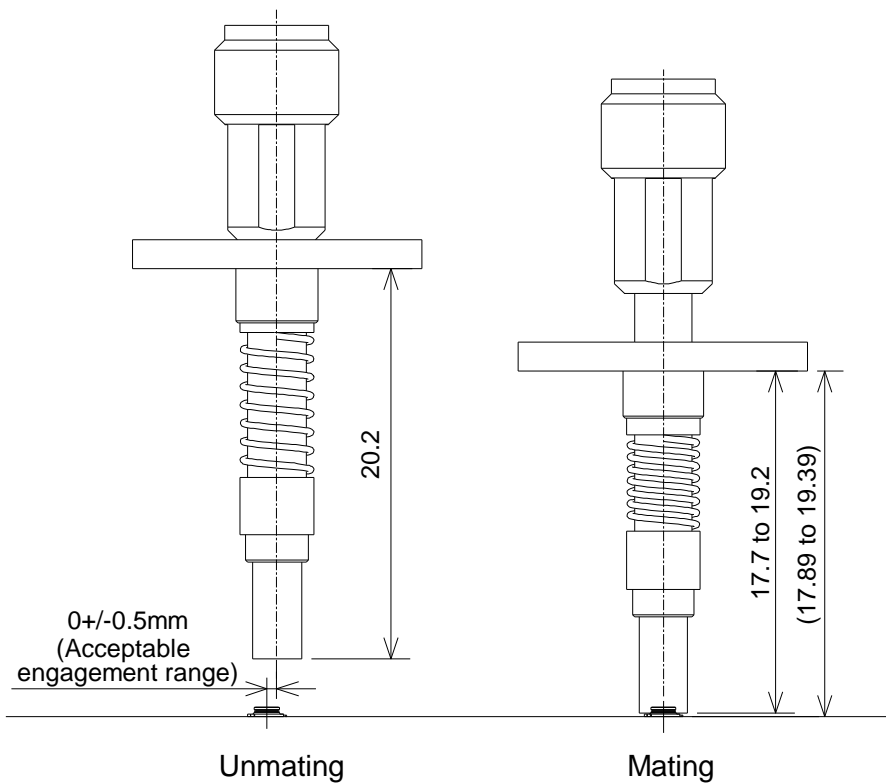


Figure.3 Acceptable engagement range to JSC-Male

> D

- 3.3 The slant angle tolerance of probe against JSC-Male. (Figure 4)
To have the stable measurement, MM121537 slant angle must be 0 ± 2 degree.

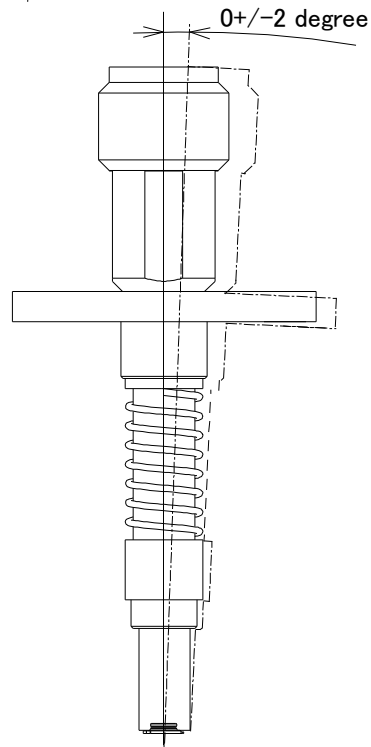


Figure.4 Probe Shape Operation Manual for Auto Measurement probe (MM121537)

单击下面可查看定价，库存，交付和生命周期等信息

[>>Murata\(村田\)](#)