

- RF Filter Designed for Front End GPS Applications
- 2.0 x 1.6 mm Surface-Mount Case
- Complies with Directive 2002/95/EC (RoHS)

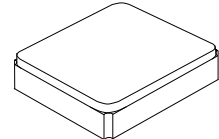


**Absolute Maximum Ratings**

Rating	Value	Units
Maximum Incident Power in Passband	+10	dBm
Max. DC voltage between any 2 terminals	5	VDC
Operating Temperature Range	-30 to +85	°C
Storage Temperature Range	-30 to +95	°C
Max Soldering Profile	265°C for 10 s	

**SF1186H**

**1575.42 MHz  
SAW Filter**



**SM2016-4**

**Electrical Characteristics**

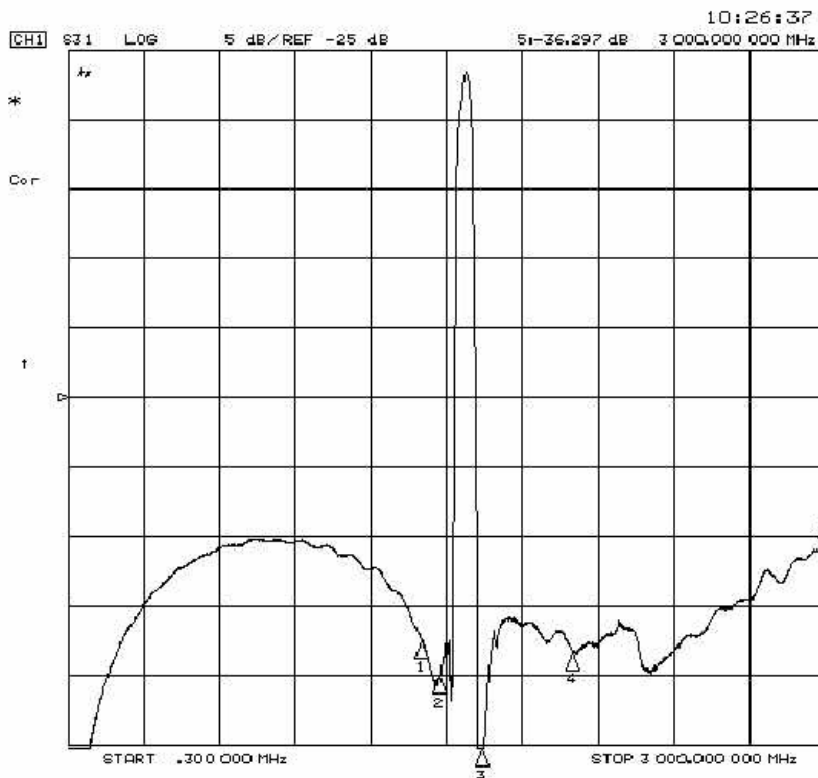
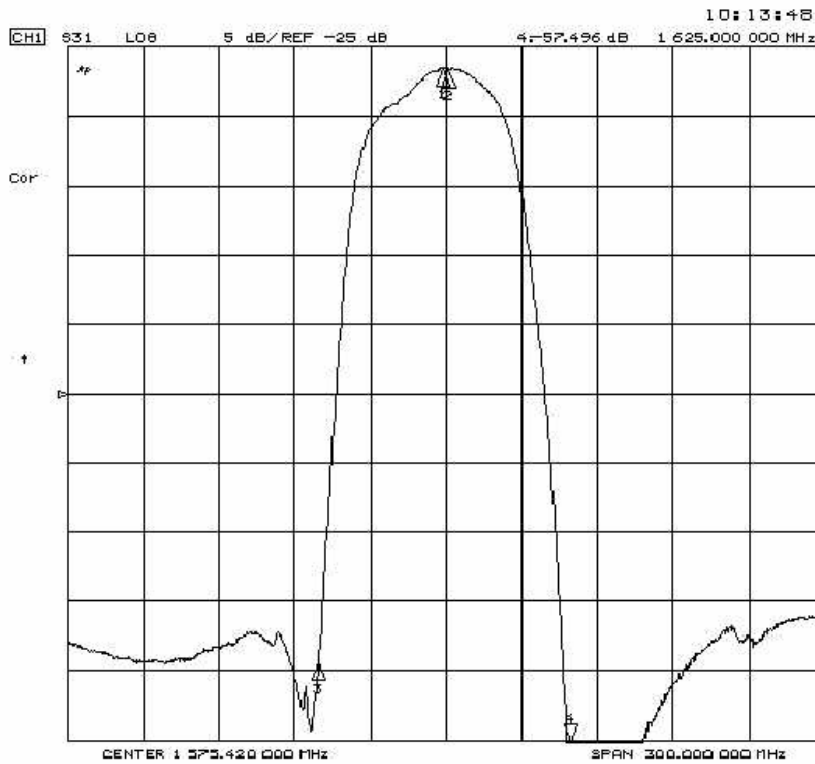
Characteristic	Sym	Notes	Min	Typ	Max	Units
Center Frequency	$f_c$			1575.42		MHz
Max. Insertion Loss (1574.22 - 1576.62 MHz)	IL			1.5	2.2	dB
Amplitude Ripple (1574.22 - 1576.62 MHz)				0.1	1.0	
Attenuation (Reference level from 0 dB)	D.C. ~ 1400 MHz		33	35		dB
			35	42		
			25	42		
			30	53		
			35	41		
	2000 ~ 3000 MHz		25	36		
VSWR (1574.22 - 1576.62 MHz)				1.15	2.0	
Terminating Source impedance	$Z_s$			50		$\Omega$
Terminating Load impedance	$Z_L$			50		$\Omega$
Single Ended Input / Output, Impedance match	No matching network required for operation at 50 ohms					
Case Style	SM2016-4					
Lid Symbolization ( Y=year, W=week)	2L, YW					



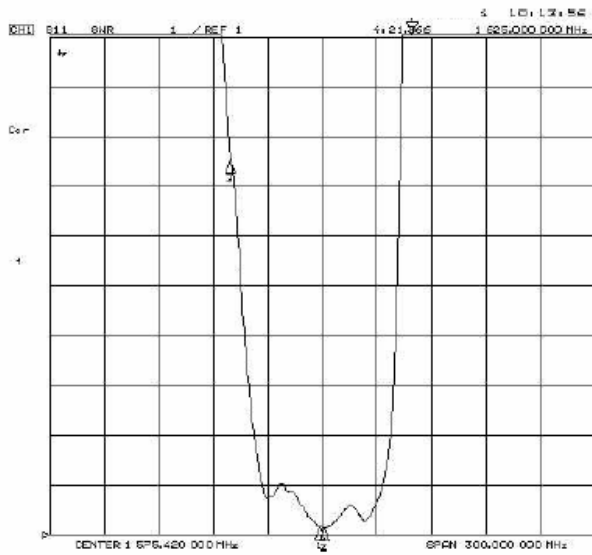
**CAUTION: Electrostatic Sensitive Device. Observe precautions for handling.**

**NOTES:**

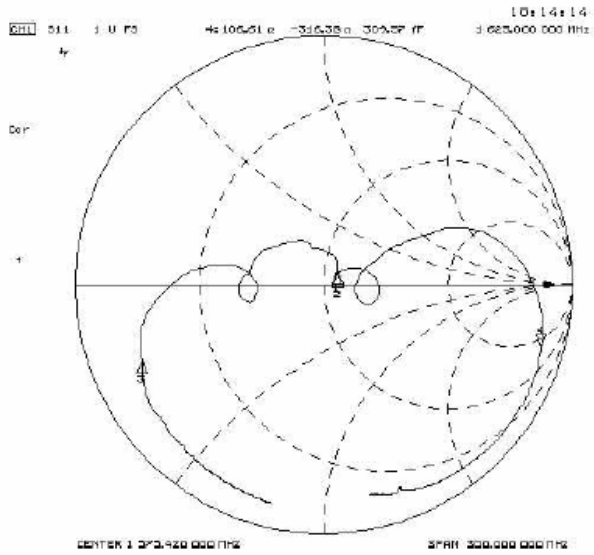
1. US and international patents may apply.
2. Murata, stylized Murata logo, and Murata N.A., Inc. are registered trademarks of Murata Manufacturing Co., Ltd.



## S11 VSWR

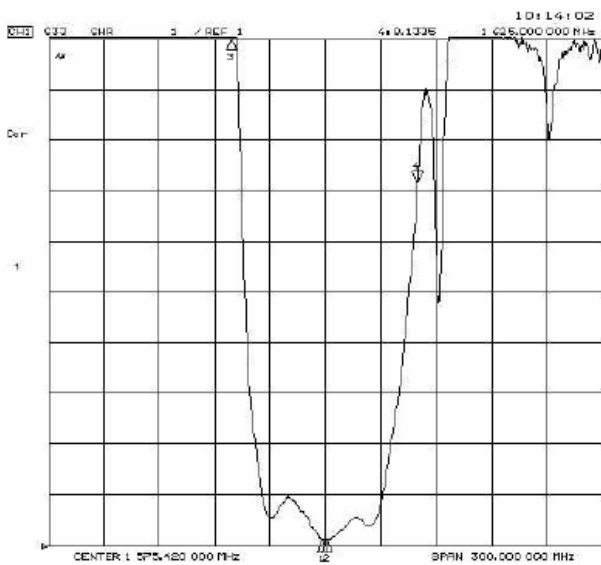


CH1 Markers  
 1: 1.1745  
 1.57422 GHz  
 2: 1.1400  
 1.57562 GHz  
 3: 2.5349  
 1.52500 GHz

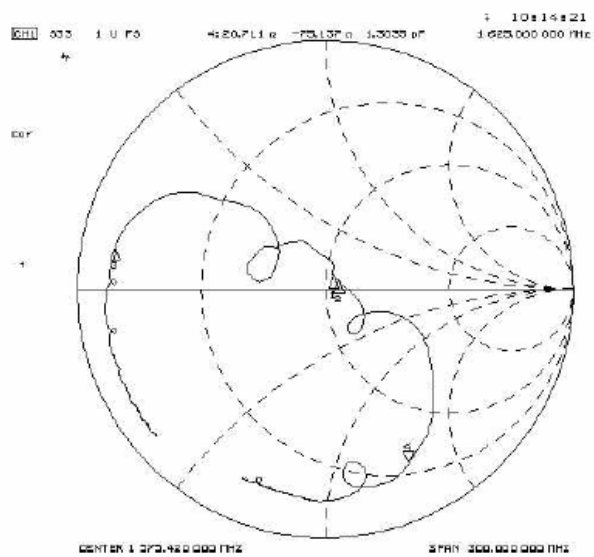


CH1 Markers  
 1: 55.269  
 3.5281 GHz  
 1.57422 GHz  
 2: 55.762  
 3.4688 GHz  
 1.57562 GHz  
 3: 6.0223  
 -2.5325 GHz  
 1.52500 GHz

## S22 VSWR



CH1 Markers  
 1: 1.1385  
 1.57422 GHz  
 2: 1.1421  
 1.57562 GHz  
 3: 13.265  
 1.52500 GHz



CH1 Markers  
 1: 55.107  
 3.5281 GHz  
 1.57422 GHz  
 2: 55.037  
 3.4144 GHz  
 1.57562 GHz  
 3: 3.7183  
 -2.5325 GHz  
 1.52500 GHz

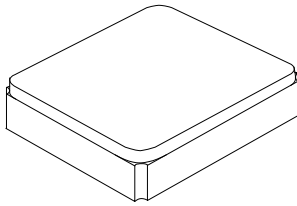
# SM2016-4 Case

## 4-Terminal Ceramic Surface-Mount Case

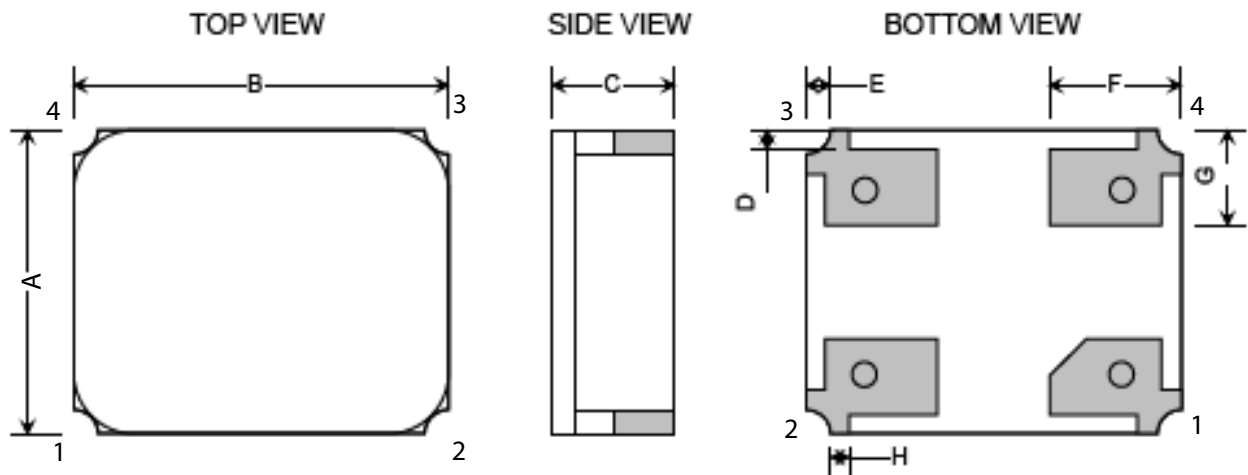
### 2.0 X 1.6 mm Nominal Footprint

#### Electrical Connections

Connection	Terminals
Input	1
Output	3
Ground	2, 4



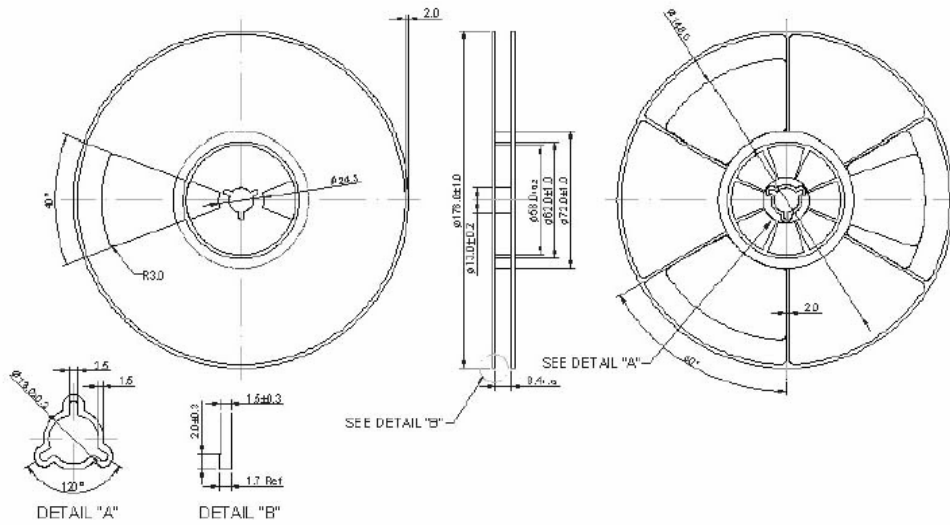
Dimensions	Millimeters			Inches		
	Min	Nom	Max	Min	Nom	Max
A		1.60				
B		2.0				
C		0.90				
D		0.10				
E		0.10				
F		0.70				
G		0.50				
H		0.10				



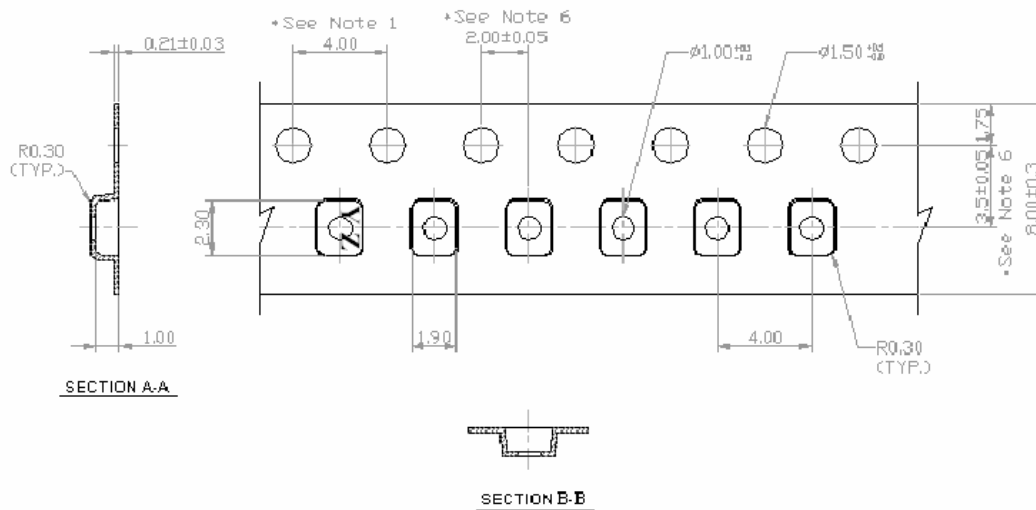
**F. PACKING:**

**1. REEL DIMENSION**

( Reel Count : 7"=2000 typ. ; 13"=10000 typ.)



**2. TAPE DIMENSION**



单击下面可查看定价，库存，交付和生命周期等信息

[>>Murata\(村田\)](#)