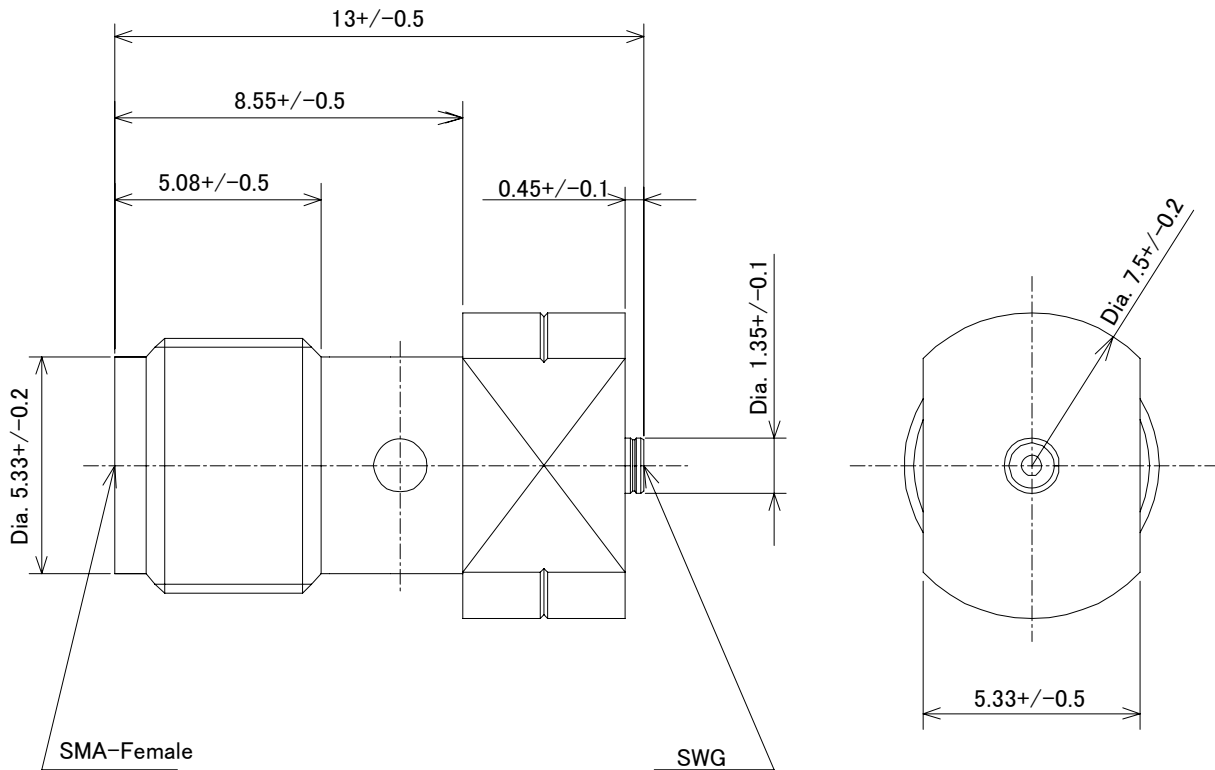


SPECIFICATION

1. MECHANICAL



RATING:

Item	Specification
Voltage Rating	30V r.m.s. maximum
Nominal Frequency Range	DC to 11GHz
Nominal Impedance	50Ω
Temperature Rating	-40°C to +85°C
Insulation Resistance	500 MΩ minimum
Withstanding Voltage	No evidence of breakdown
Initial Contact Resistance (without conductor resistance)	Center contact 70.0mΩmax. Outer contact 20.0mΩmax.
Voltage Standing Wave Ratio (V.S.W.R.)	1.2max. (DC to 3GHz) 1.4max. (3GHz to 6GHz) 1.6max. (6GHz to 11GHz)
Insertion loss	0.2dB max. (DC to 3GHz) 0.3dB max. (3GHz to 6GHz) 0.4dB max. (6GHz to 11GHz)
Durability	10k cycles

单击下面可查看定价，库存，交付和生命周期等信息

[>>Murata\(村田\)](#)