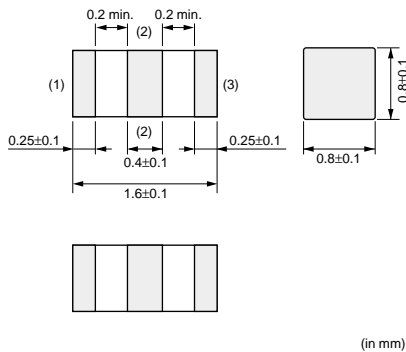


# Chip EMIFIL® LC Combined Type Monolithic Type

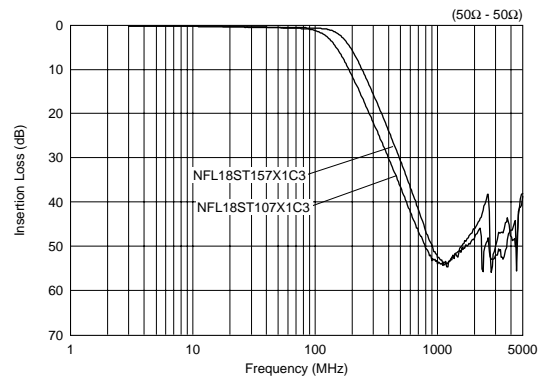
## NFL18ST Series (0603 Size)

● For your new designs, alternative parts should be used. These parts should be used only for existing design. Please consult with us for details.

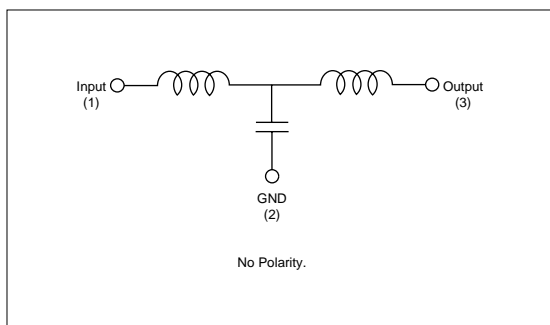
### Dimension



### Insertion Loss Characteristics (Typical)



### Equivalent Circuit



### Packaging

Code	Packaging	Minimum Quantity
D	180mm Paper Tape	4000
B	Bulk(Bag)	1000

### Rated Value (□: packaging code)

Part Number	Cut-off Frequency	Capacitance	Inductance	Rated Voltage	Rated Current	Insulation Resistance (min.)	Operating Temperature Range	Number of Circuits
NFL18ST107X1C3□	100MHz	40pF+20%-20%	175nH+20%-20%	16Vdc	100mA	1000M ohm	-55°C to 125°C	1
NFL18ST157X1C3□	150MHz	32pF+20%-20%	140nH+20%-20%	16Vdc	100mA	1000M ohm	-55°C to 125°C	1

### ⚠ Caution/Notice

#### ⚠ Caution (Rating)

Do not use products beyond the rated current and rated voltage as this may create excessive heat and deteriorate the insulation resistance.

#### Notice

Solderability of Tin plating termination chip might be deteriorated when low temperature soldering profile where peak solder temperature is below the Tin melting point is used. Please confirm the solderability of Tin plating termination chip before use.

● This data sheet is applied for LC Combined CHIP EMIFIL® used for General Electronics equipment for your design.

#### ⚠ Note:

- This datasheet is downloaded from the website of Murata Manufacturing co., Ltd. Therefore, it's specifications are subject to change or our products in it may be discontinued without advance notice. Please check with our sales representatives or product engineers before ordering.
- This datasheet has only typical specifications because there is no space for detailed specifications. Therefore, please approve our product specifications or transact the approval sheet for product specifications before ordering.

单击下面可查看定价，库存，交付和生命周期等信息

[>>Murata\(村田\)](#)