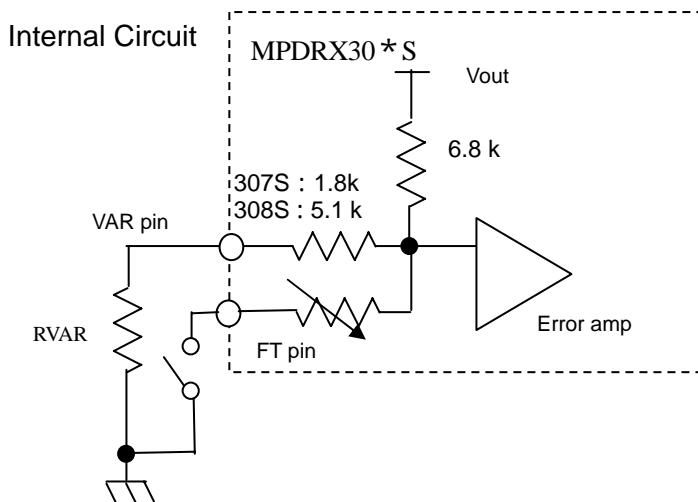


OUTPUT VOLTAGE ADJUSTMENT



MPDRX307S (FT-pin : SHORT to GND)

$$RVAR = \frac{5440}{Voadj[V] \times 1.002 - 1.5[V]} - 1800 \quad [\]$$

MPDRX308S

(a) 0.8 Vout < 0.95V (FT-pin : OPEN)

$$RVAR = \frac{5440}{Voadj[V] \times 1.002 - 0.8[V]} - 5100 \quad [\]$$

(b) 0.95 Vout 1.65V (FT-pin : SHORT to GND)

$$RVAR = \frac{5440}{Voadj[V] \times 1.002 - 0.95[V]} - 5100 \quad [\]$$

<RVAR CALCULATION EXAMPLE>

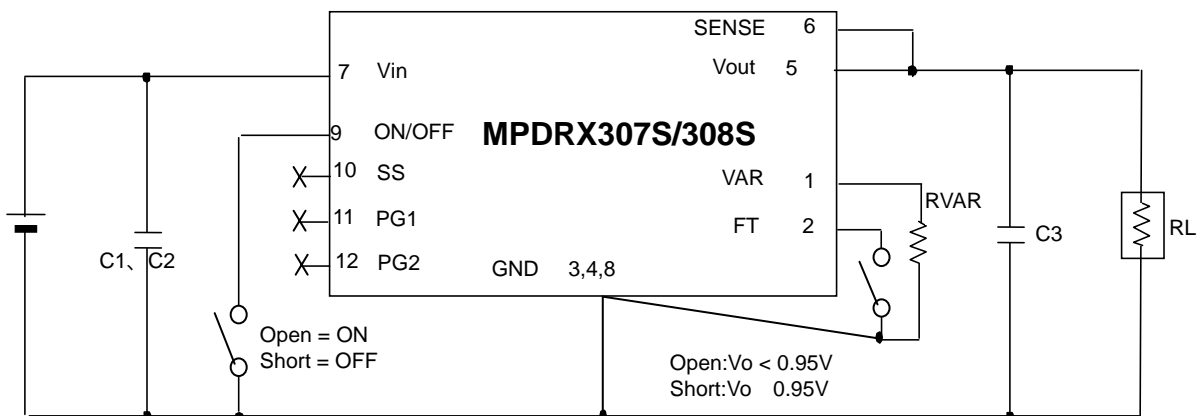
MPDRX307S

Voadj [V]	Calculated RVAR[]	FT pin (8pin)
3.63	745	Short to GND
3.3	1211	Short to GND
2.5	3613	Short to GND
1.8	16118	Short to GND
1.6	50913	Short to GND

MPDRX308S

Voadj [V]	Calculated RVAR[]	FT pin (8pin)
1.65	2635	Short to GND
1.5	4737	Short to GND
1.2	16453	Short to GND
1.0	99515	Short to GND
0.95	2858058	Short to GND
0.9	48338	Open
0.8	3394900	Open

TEST CIRCUIT

C1,C2 : 10 μ F / 25V Ceramic CapacitorC3, : 100 μ F / 6.3V Ceramic Capacitor

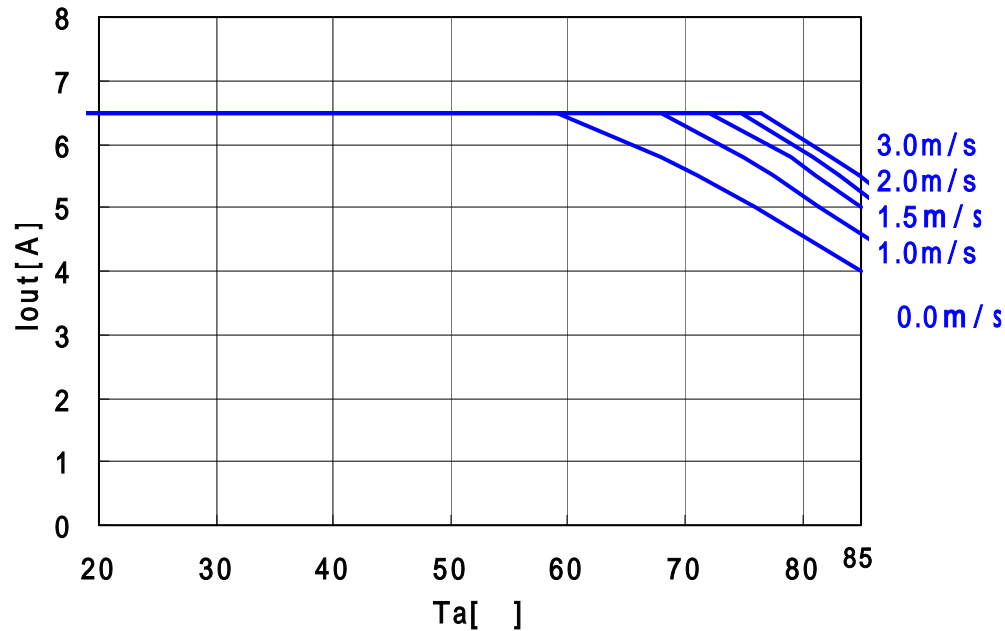
Please make sure to place C1 ,C2 and C3 nearby input and output terminal of DC-DC converter.

⚠ Note:

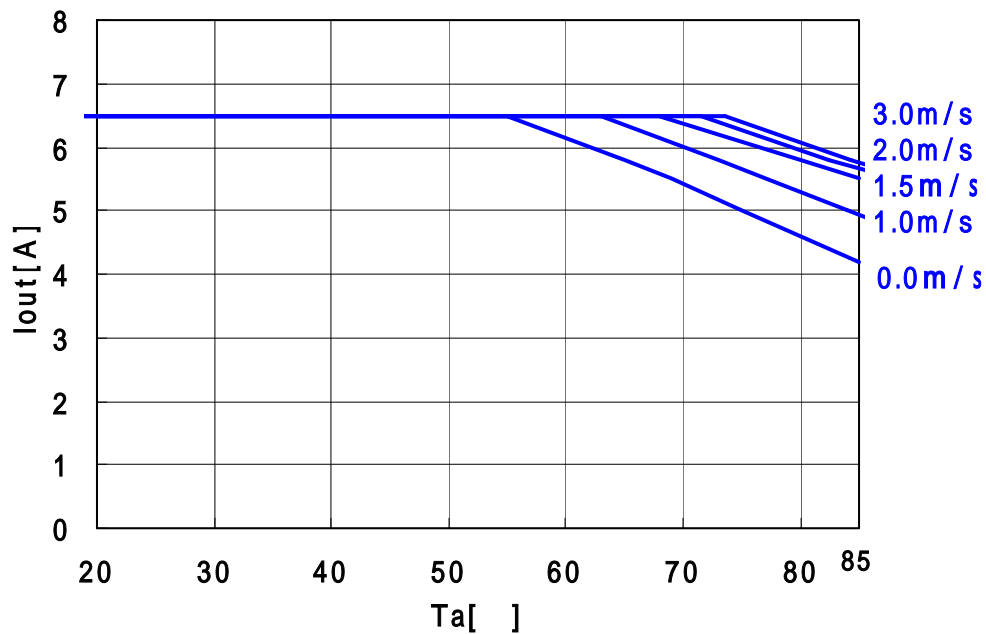
- This datasheet is downloaded from the website of Murata Manufacturing co., ltd. Therefore, it's specifications are subject to change or our products in it may be discontinued without advance notice. Please check with our sales representatives or product engineers before ordering.
- This datasheet has only typical specifications because there is no space for detailed specifications. Therefore, please approve our product specifications or transact the approval sheet for product specifications before ordering.

THERMAL DERATING

MPDRX307S
($V_{in}=6.2 \sim 12V$, $V_{out}=1.6 \sim 3.63V$)



MPDRX308S
($V_{in}=6.2 \sim 12V$, $V_{out}=0.8 \sim 1.65V$)



⚠ **Note:**

1. This datasheet is downloaded from the website of Murata Manufacturing co., ltd. Therefore, it's specifications are subject to change or our products in it may be discontinued without advance notice. Please check with our sales representatives or product engineers before ordering.
2. This datasheet has only typical specifications because there is no space for detailed specifications. Therefore, please approve our product specifications or transact the approval sheet for product specifications before ordering.

单击下面可查看定价，库存，交付和生命周期等信息

[>>Murata\(村田\)](#)