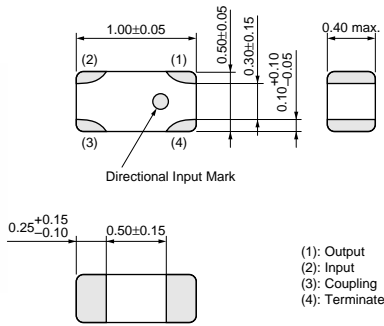


# Chip Multilayer Hybrid Couplers

## Directional Coupler



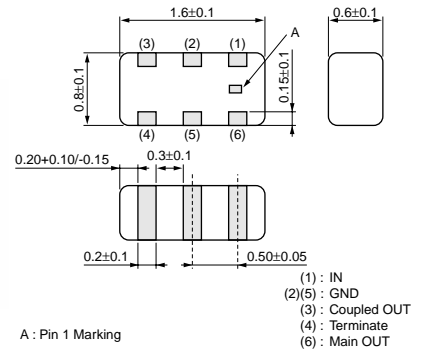
LDC15 Series



(in mm)



LDC18 Series

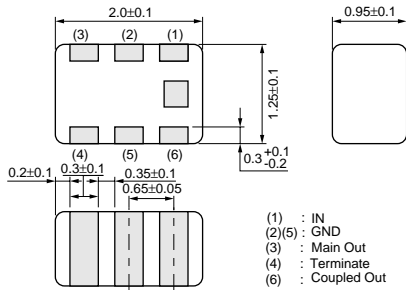


A : Pin 1 Marking

All the technical data and Information contained herein are subject to change without prior notice. (in mm)



LDC21 Series



(in mm)

\* All the technical data and information contained herein are subject to change without prior notice.

Part Number	Frequency Range (MHz)	Coupling (dB)	Insertion Loss (dB)	Isolation (min.) (dB)	VSWR (max.)	Characteristic Impedance (Nom.) (ohm)	Power Capacity (W)	Application
LDC15836M20Q-360	836.5 ±12.5MHz	19.8 ±1.0dB	0.25 max. (at 25°C)	33.0	1.4	50	3 max. (50ohm Load)	UMTS(Band5)
LDC151G8820Q-359	1880 ±30MHz	20.5 ±1.0dB	0.22 max. (at 25°C)	34.0	1.4	50	3 max. (50ohm Load)	UMTS(Band2)
LDC151G9520Q-359	1950 ±30MHz	20.2 ±1.0dB	0.22 max. (at 25°C)	34.0	1.4	50	3 max. (50ohm Load)	UMTS(Band1)
LDC181G7420B-327	1747.5 ±37.5MHz	20.0 ±1.0dB	0.26 max. (at 25°C)	26.0	1.4	50	3 max. (50ohm Load)	GSM
LDC21836M20B-027	836.5 ±12.5MHz	20.6 ±1.0dB	0.15 max. (at 25°C)	28.0	1.4	50	3 max. (50ohm Load)	CDMA
LDC211G8820B-042	1880.0 ±30.0MHz	20.0 ±1.0dB	0.23 max. (at 25°C)	26.0	1.4	50	3 max. (50ohm Load)	CDMA
LDC211G9517B-031	1950.0 ±30.0MHz	17.3 ±1.0dB	0.27 max. (at 25°C)	21.0	1.4	50	3 max. (50ohm Load)	UMTS(Band1)

Operating Temperature Range: -40°C to +85°C

单击下面可查看定价，库存，交付和生命周期等信息

[>>Murata\(村田\)](#)