

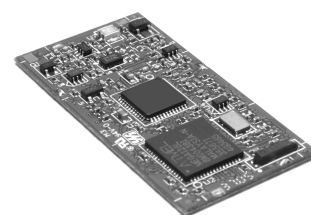


- **2.4 GHz ZigBee Transceiver Module**
- **Supports Multiple Network Topologies**
- **Small Size, Light Weight, +18 dBm Transmitter Power**
- **FCC and ETSI Certified for Unlicensed Operation**

The ZMN2400HP 2.4 GHz transceiver module is a low cost, high-power solution for point-to-point, point-to-multipoint and MESH wireless systems. The ZMN2400HP module provides the flexibility and versatility to serve applications ranging from cable replacements to sensor networks. Based on the IEEE 802.15.4 wireless standard and the ZigBee protocol stack, the ZMN2400HP module is easy to integrate and provides robust wireless communications including MESH network operation. The ZMN2400HP also includes Cirronet's powerful CSM application profile, which eliminates the need for customer firmware programming.

ZMN2400HP

High Power ZigBee Module



Shown with Shield Removed

ZMN2400HP Absolute Maximum Ratings

Rating	Value	Units
All Input/Output Pins	-0.3 to +6.0	V
Non-Operating Ambient Temperature Range	-40 to +85	°C

ZMN2400HP Electrical Characteristics

Characteristic	Sym	Notes	Minimum	Typical	Maximum	Units
Operating Frequency Range			2405		2480	MHz
Operating Frequency Tolerance			-300		300	kHz
Spread Spectrum Method			Direct Sequence			
Modulation Type			O-QPSK			
Number of RF Channels				15		
RF Data Transmission Rate				250		kb/s
Symbol Rate Tolerance					120	ppm
RF Channel Spacing				5		MHz
Receiver Sensitivity, 10 ⁻⁵ BER				-95		dBm
Upper Adjacent Channel Rejection, +5 MHz				46		dB
Lower Adjacent Channel Rejection, -5 MHz				39		dB
Upper Alternate Channel Rejection, +10 MHz				58		dB
Lower Alternate Channel Rejection, -10 MHz				55		dB
Maximum RF Transmit Power			16	17	18	dBm
Transmit Power Adjustment					-25	dB
Optimum Antenna Impedance				50		Ω

ZMN2400HP Electrical Characteristics

Characteristic	Sym	Notes	Minimum	Typical	Maximum	Units
ADC Input Range			0		2.5	V
ADC Input Resolution					10	bits
ADC Input Impedance			55			MΩ
PWM Output Resolution					12	bits
UART Baud Rate			1.2		115.2	kb/s
Digital I/O:						
Logic Low Input Level			-0.5		0.64	V
Logic High Input Level			1.98		3.7	V
Logic Input Internal Pull-up Resistor			20			KΩ
Logic Low Output Level, $I_{SINK} = 10\text{ mA}$					0.5	V
Logic High Output Level			2.4			V
Logic Low Output Sink Current	I_{SINK}				20	mA
Logic High Output Source Current	I_{SOURCE}				5	mA
Power Supply Voltage Range	V_{CC}		+3.3		+5.5	Vdc
Power Supply Voltage Ripple					10	mV _{P-P}
Receive Mode Current				50		mA
Transmit Mode Current				150		mA
Sleep Mode Current				25		μA
Operating Temperature Range			-40		85	°C



CAUTION: Electrostatic Sensitive Device. Observe precautions when handling.

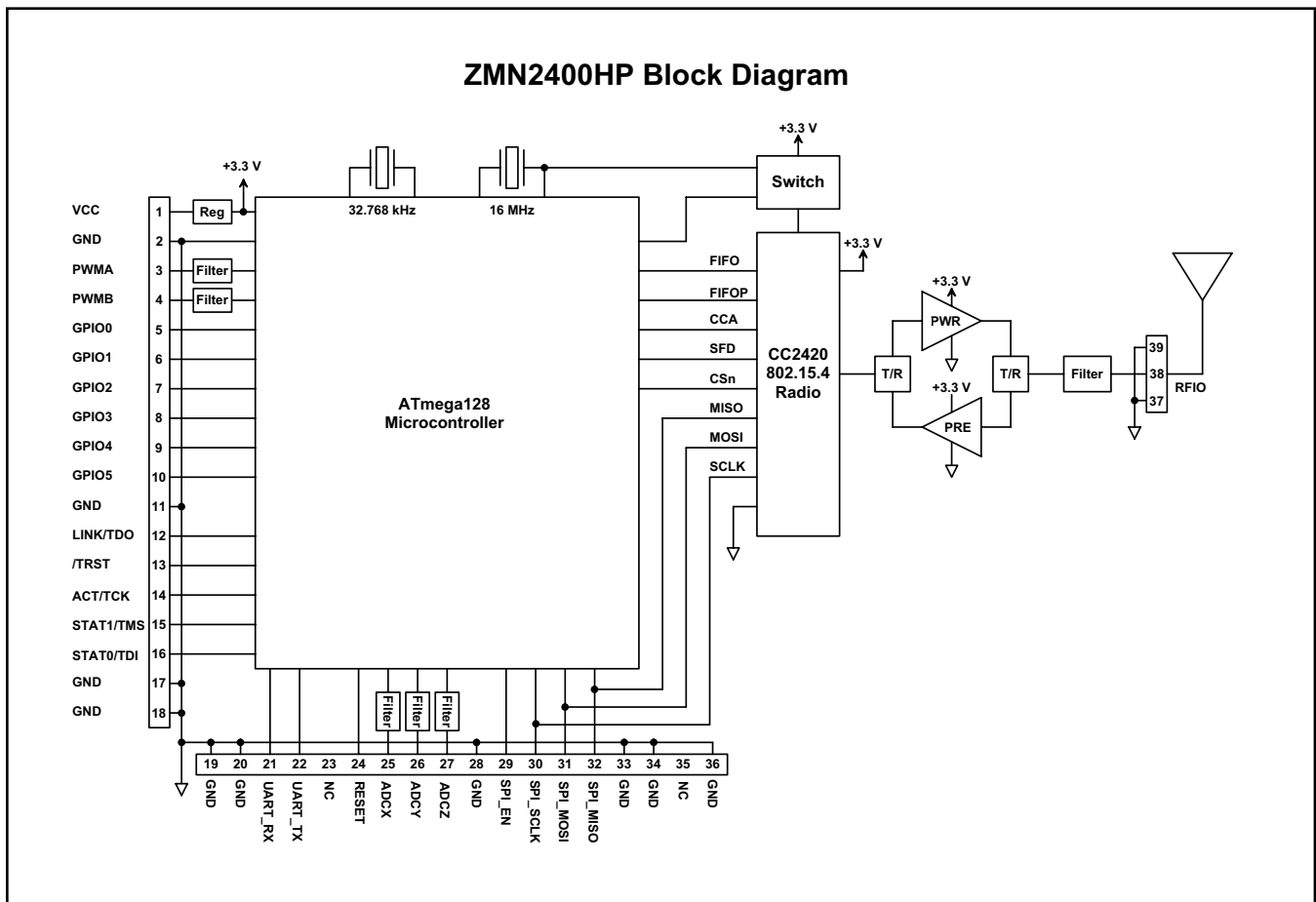


Figure 1

ZMN2400HP Hardware

The major hardware components of the ZMN2400HP include a CC2420 IEEE 802.15.4 compatible transceiver and an ATmega128 microcontroller. The ZMN2400HP operates in the frequency band of 2405 to 2460 MHz at a nominal output power of 63 mW.

The CC2420 transceiver receives a 16 MHz reference clock through an IC switch controlled by the ATmega microcontroller, which allows the transceiver to be idled during sleep periods. SPI signals provide the main interface between the transceiver and microcontroller. The SPI signals are supplemented by *FIFO* and *FIFOP* transceiver buffer status signals, the *CCA* clear channel assessment signal, and the *SFD* start of frame delimiter signal.

In addition to controlling the CC2420, the ATmega128 provides a variety of application hardware interfaces including an SPI interface, UART interface, three 10-bit ADC inputs, two PWM (DAC) outputs, and six general purpose digital I/O ports.

ZMN2400HP Firmware

The main firmware components in the ZMN2400HP include the ZigBee protocol stack and the Cirronet Standard Module (CSM) application profile. The ZigBee protocol stack implements networking and security, with underlying support from the 802.15.4 Media Access Control (MAC) layer. The standard ZMN2400HP firmware implements a ZigBee full function device (FFD). This allows the module to operate as either a coordinator or router. Optional ZMN2400HP firmware is available that implements a ZigBee reduced function device (RFD). This allows the module to operate as an end device. The CSM profile provides an application programming interface (API) for all the ZMN2400HP application hardware interfaces. The CSM profile includes Network Discovery, Send/Receive Serial Data, Read/Write SPI Port, Read ADC Inputs, Write DAC Outputs, Read/Write GPIO and Module Configuration services. In addition, the CSM profile provides two sleep modes - timer sleep and interrupt sleep. See the for the *ZMN2400HP ZigBee Module Developer's Kit User's Manual* for complete details of the CSM profile API.

ZMN2400HP I/O Pad Descriptions

Pad	Name	Description
1	VCC	Power supply input, +3.3 to +5.5 Vdc.
2	GND	Power supply and signal ground. Connect to the host circuit board ground.
3	PWMA	Pulse-width modulated output A. Provides a DAC function when used with an external low-pass filter.
4	PWMB	Pulse-width modulated output B. Provides a DAC function when used with an external low-pass filter.
5	GPIO0	Configurable digital I/O port 0. When configured as an output, the power-on state is also configurable.
6	GPIO1	Configurable digital I/O port 1. When configured as an output, the power-on state is also configurable.
7	GPIO2	Configurable digital I/O port 2. When configured as an output, the power-on state is also configurable.
8	GPIO3	Configurable digital I/O port 3. When configured as an output, the power-on state is also configurable.
9	GPIO4	Configurable digital I/O port 4. When configured as an output, the power-on state is also configurable.
10	GPIO5	Configurable digital I/O port 5. When configured as an output, the power-on state is also configurable.
11	GND	Power supply and signal ground. Connect to the host circuit board ground.
12	LINK/TDO	Output signal indicating module's link status in default mode. Also used by JTAG interface as Test Data Output.
13	/TRST	Used by JTAG interface as active low Reset input. Leave disconnected if JTAG interface will not be used.
14	ACT/TCK	Output signal indicating RF data activity. Also used by JTAG interface as Data Clock Input.
15	STAT1/TMS	Output signal defined by firmware version. Also used to select JTAG mode.
16	STAT0/TDI	Output signal defined by firmware version. Also used by JTAG interface as Test Data Input.
17 - 20	GND	Power supply and signal grounds. Connect to the host circuit board ground.
21	UART_RX	Serial data input to UART.
22	UART_TX	Serial data output from UART.
23	NC	No connection.
24	/RESET	Active low module hardware reset input. This input must be held low when the power supply input is in the range of +1.5 to +2.7 Vdc.
25	ADCX	10-bit ADC input X. Input voltage range is 0 to +2.5 Vdc.
26	ADCY	10-bit ADC input Y. Input voltage range is 0 to +2.5 Vdc.
27	ADCZ	10-bit ADC input Z. Input voltage range is 0 to +2.5 Vdc.
28	GND	Power supply and signal ground. Connect to the host circuit board ground.
29	SPI_EN	Active-low enable output for SPI bus devices.
30	SPI_SCLK	SPI port clock signal.
31	SPI_MOSI	SPI port data output.
32	SPI_MISO	SPI port data input.
33	GND	Power supply and signal ground. Connect to the host circuit board ground.
34	GND	Power supply and signal ground. Connect to the host circuit board ground.
35	NC	No connection.
36	GND	Power supply and signal ground. Connect to the host circuit board ground.
37	GND	RF ground. Connect to the host circuit board ground plane, and to shield when using coaxial cable.
38	RFIO	RF port. Connect the antenna to this port with a 50 Ω stripline or semi-rigid coaxial cable.

Pad	Name	Description
39	GND	RF ground. Connect to the host circuit board ground plane, and to shield when using coaxial cable.

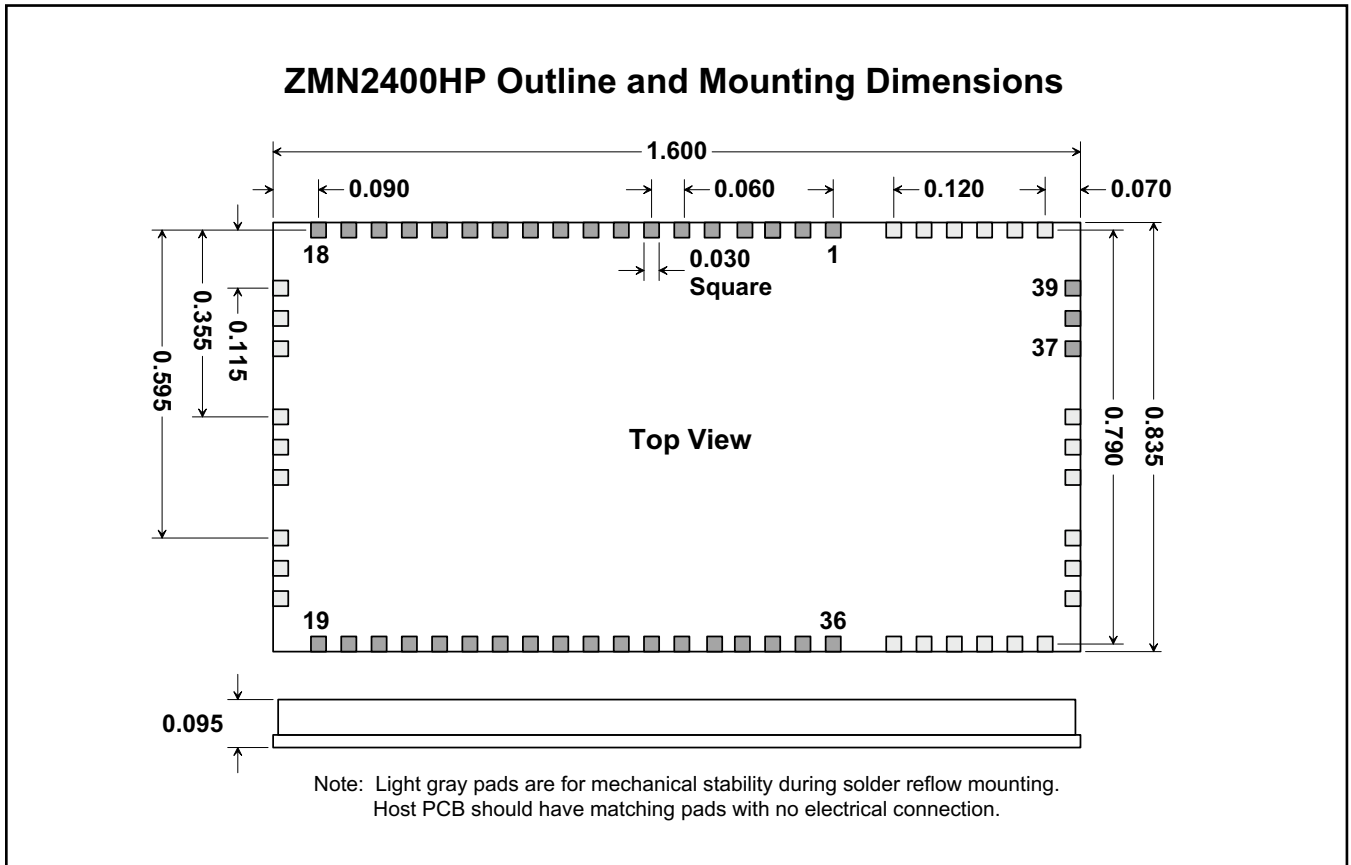


Figure 2

RFIO Stripline

The RFIO pad on the radio module is connected directly to an antenna on the host circuit board, or to an MMCX or similar RF connector. It is important that this connection be implemented as a 50 ohm stripline. Referring to Figure 3, the width of this stripline depends on the thickness of the circuit board between the stripline and the

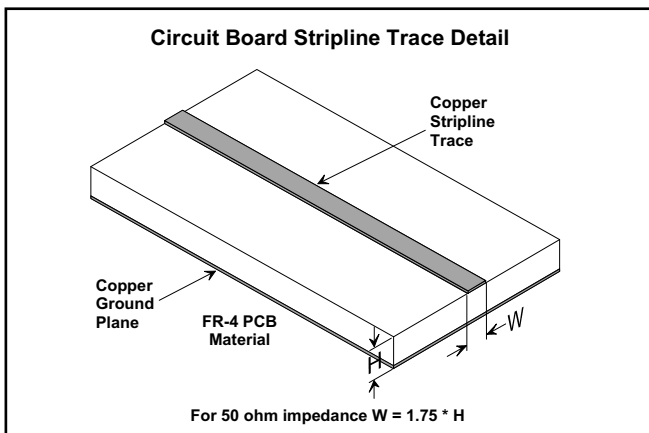


Figure 3

Trace Separation from 50 Ohm Microstrip	Length of Trace Run Parallel to Microstrip
100 mil	125 mil
150 mil	200 mil
200 mil	290 mil
250 mil	450 mil
300 mil	650 mil

Figure 4

groundplane. For FR-4 type circuit board materials (dielectric constant of 4.7), the width of the stripline is equal to 1.75 times the thickness of the circuit board. Note that other circuit board traces should be spaced away from the stripline to prevent signal coupling, as shown in Figure 4. The stipline trace should be kept short to minimize its insertion loss.

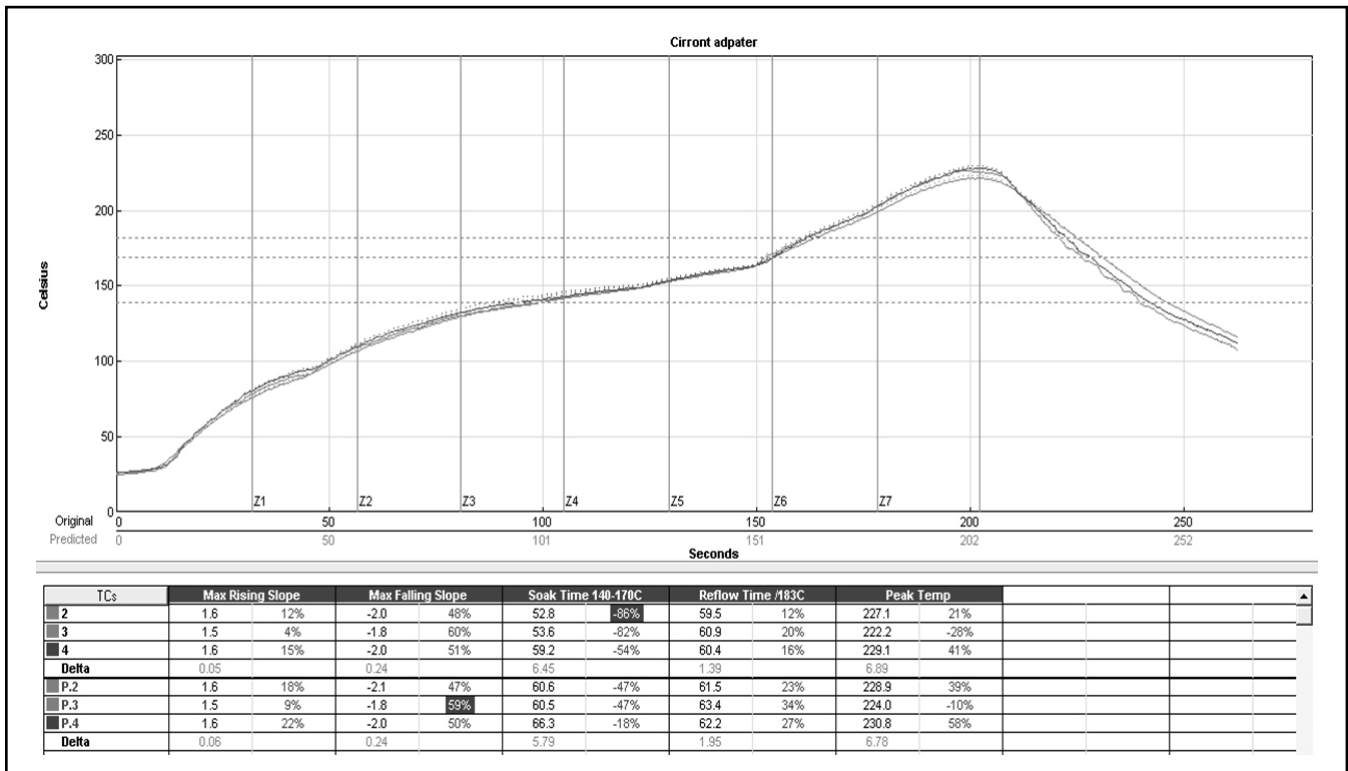


Figure 5

Reflow Profile

An example solder reflow profile for mounting the radio module on its host circuit board is shown in Figure 5.

Note: Specifications subject to change without notice.

file: zmn2400hp_h.vp, 2007.02.16 rev

单击下面可查看定价，库存，交付和生命周期等信息

[>>Murata\(村田\)](#)