

1. MECHANICAL

C>B>

Automatic measurement probe for LSC-Male.

MM121662 and MM121661 are used as calibration adapter.

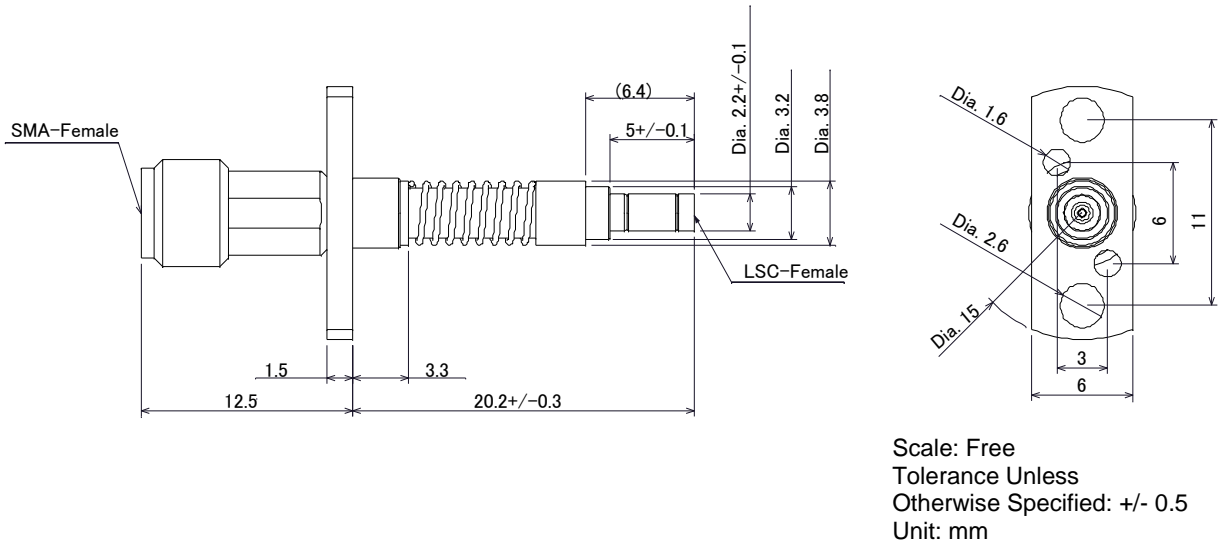


Figure.1 Construction

2. RATING:

Item	Specification
Voltage Rating	30Vr.m.s. maximum
Nominal Frequency Range	DC to 6GHz
Nominal Impedance	50Ω
Temperature Rating	-40°C to +85°C
Insulation Resistance	500 MΩ minimum
C> Withstanding Voltage	No evidence of break down in AC300Vr.m.s, 1minute
Initial Contact Resistance (without conductor resistance)	70mΩmax.
A> Voltage Standing Wave Ratio (V.S.W.R.)	Meet the requirements of following spec. 1.4 max. (DC to 3GHz) 1.8 max. (3GHz to 6GHz)
A> Insertion loss	0.6dB max. (DC to 3GHz) 0.8dB max. (3GHz to 6GHz)
A> Durability	250k cycles

3. USE THIS PRODUCTS

3.1 The directions for attachment to measurement fixture.

The probe must be attached to fixture at the two screw holes in probe flange. (Figure 2)

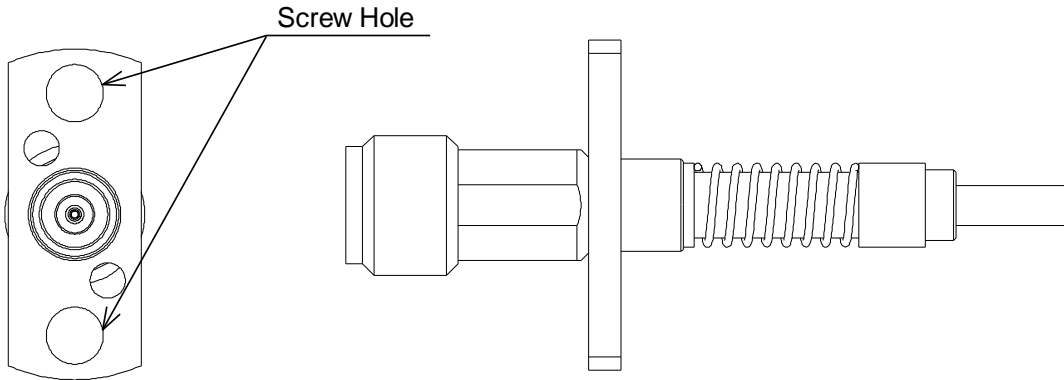


Figure.2 Screw hole position

C>

3.2 The tolerance of position against MM7829-2700.

Probe has the centering function by itself, +/-0.4mm is permitted against the hole center of LSC-Male.

Please avoid needless force to SMA-Female connector to come back the original position when disengagement of probe.

The engagement strokes from the bottom surface of flange to the tip of probe is 17.7mm to 19.2mm. (Figure 3)

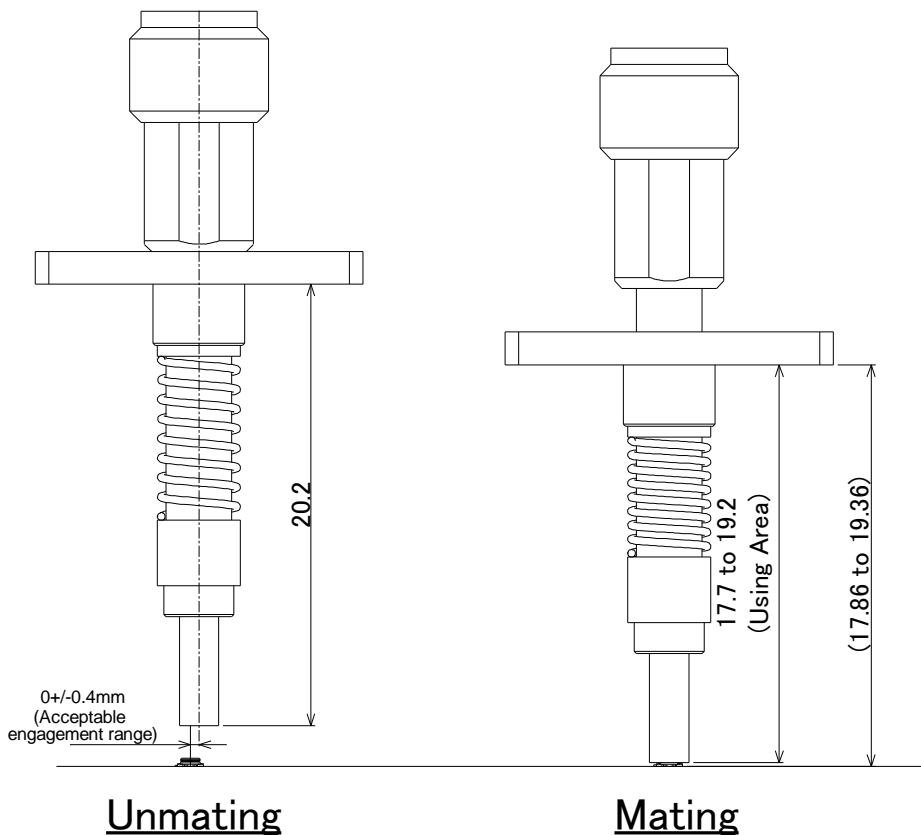


Figure.3 Acceptable engagement range to LSC-Male

3.3 The slant angle tolerance of probe against LSC-Male. (Figure 4)
To have the stable measurement, MM121650 slant angle must be 0 ± 2 degree.

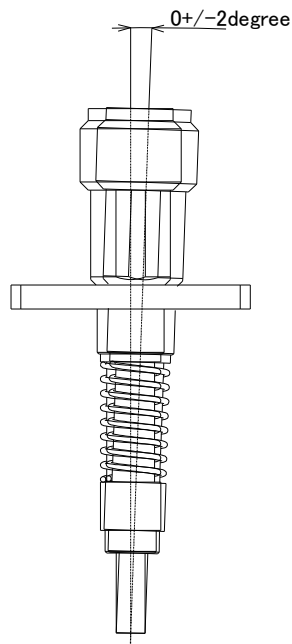


Figure.4 Probe Shape Operation Manual for Auto Measurement probe (MM121650)

单击下面可查看定价，库存，交付和生命周期等信息

[>>Murata\(村田\)](#)