

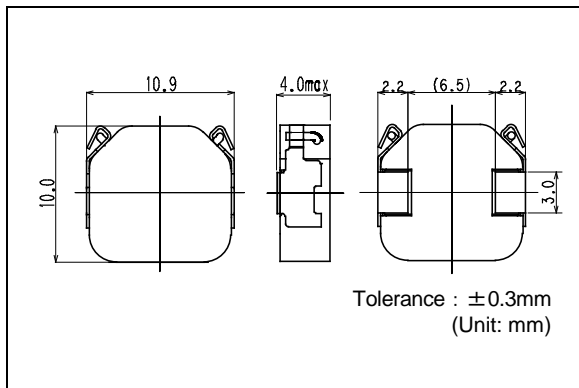
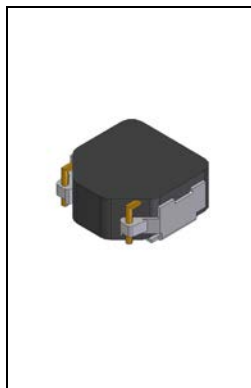
DFEH10040D

AEC-Q200

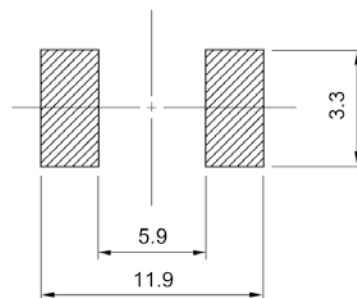
RoHS

REACH

Inductance Range: 1.0~22μH



Recommended patterns
推荐焊盘尺寸推荐



(Unit: mm)

FEATURES 特点

- 11.2 × 10.3mm square and 4.0mm Max. height.
- Magnetically shielded construction, low DC resistance.
- Suitable for large current
- The use of low loss iron powder ensure capability for high efficiency.
- Low audible core noise.
- Operating temperature : -40~+155°C
- AEC-Q200 compliant.
- 最大11.2 × 10.3毫米的平面，最大高度4.0毫米
- 磁性屏蔽结构，低直流电阻
- 适合于大电流
- 使用低损失铁系磁性粉保证高效率
- 低芯片噪音
- 使用温度范围：-40~+155°C
- 符合AEC-Q200

STANDARD PART NUMBERS 标准零件号码

TYPE DFEH10040D (Quantity/reel; 500 PCS)

零件号码	电感值 ⁽¹⁾	公差	测试频率	最大直流电阻 ⁽²⁾	最大电感值减小电流 ⁽³⁾	最大温度上升电流 ⁽³⁾
Part Number	Inductance ⁽¹⁾ L(μH)	Tolerance (%)	Test Frequency (MHz)	DC Resistance ⁽²⁾ (mΩ) Max. (Typ.)	Inductance Decrease Current ⁽³⁾ (A) Max. (Typ.) ΔL/L=20%	Temperature Rise Current ⁽³⁾ ΔT=40°C (A) Max. (Typ.)
DFEH10040D-1R0M=P3	1.0	±20	100	3.5 (2.9)	18 (24)	17 (22)
DFEH10040D-1R5M=P3	1.5	±20	100	5.0 (4.1)	14 (19)	14 (18)
DFEH10040D-2R2M=P3	2.2	±20	100	7.5 (6.2)	11 (14)	12 (15)
DFEH10040D-3R3M=P3	3.3	±20	100	12 (9.2)	10 (13)	10 (13)
DFEH10040D-4R7M=P3	4.7	±20	100	16 (13)	7.3 (9.3)	8.8 (11)
DFEH10040D-5R6M=P3	5.6	±20	100	18 (15)	6.9 (9.2)	8.0 (10)
DFEH10040D-6R8M=P3	6.8	±20	100	23 (19)	6.5 (8.6)	6.4 (8.1)
DFEH10040D-8R2M=P3	8.2	±20	100	29 (24)	5.6 (7.4)	5.9 (7.4)
DFEH10040D-100M=P3	10	±20	100	33 (27)	5.5 (7.3)	5.7 (7.2)
DFEH10040D-150M=P3	15	±20	100	47 (39)	4.4 (5.9)	5.2 (6.5)
DFEH10040D-220M=P3	22	±20	100	70 (58)	4.0 (5.3)	3.8 (4.8)

(1) Inductance is measured with a LCR meter 4284A(Agilent Technologies) or equivalent. Test frequency at 100kHz
 (2) DC resistance is measured with 34420A (Agilent Technologies) or 3541(HIOKI). (Reference ambient temperature 25°C)
 (3) Maximum allowable DC current is that which causes a 20% inductance reduction from the initial value, coil temperature to rise by 40°C, whichever is smaller.
 (Reference ambient temperature 25°C)
 (4) Absolute maximum voltage : 50VDC

(1)LCR仪表4284A (Agilent Technologies)或者功能相同的仪器在100kHz下测试电感值。
 (2)通过数码万用表34420A (Agilent Technologies)/ 3541(HIOKI)或者相类似的工具测试直流电阻。(环境温度为25°C)
 (3)允许最大直流电的范围是以下两者中比较小的一个：从开始值降低20%的电感值，或者线圈温度升高40°C。
 (参考周围环境温度25°C)。
 (4)绝对最高电压50伏特。

单击下面可查看定价，库存，交付和生命周期等信息

[>>Murata\(村田\)](#)