

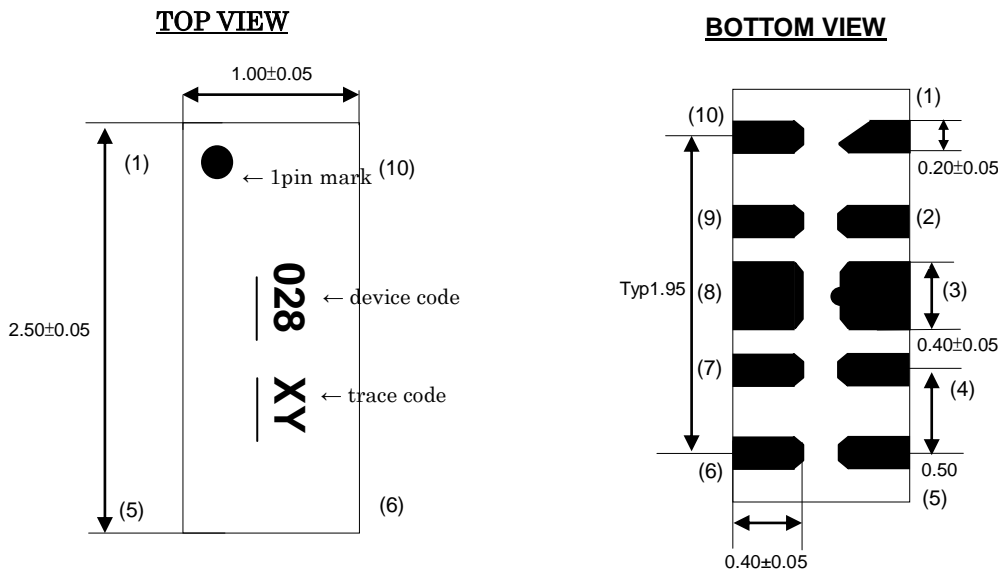
1. Features

- Low capacitance (0.5pF Typ.)
- Protection for the IEC61000-4-2(ESD) $\pm 15\text{kV}$ (air), $\pm 10\text{kV}$ (contact),
- Fast turn on and low clamping voltage
- For 4 lines
- RoHS regulation conformity parts

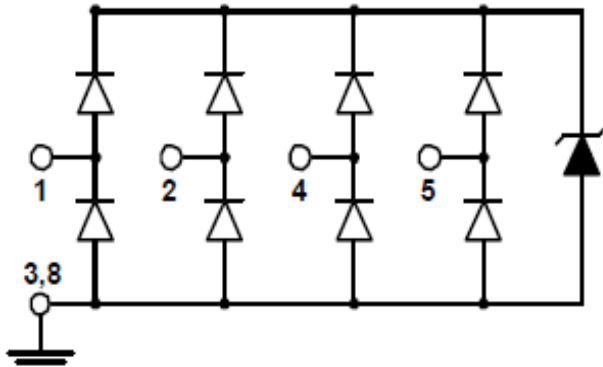
2. Typical Applications

- High Speed Interface Line(LDVS,USB,etc)protection

3. Mechanical details (dimensions: mm)



No	Terminal Name
(1)	Line-1
(2)	Line-2
(3)	GND
(4)	Line-3
(5)	Line-4
(6)	NC
(7)	NC
(8)	GND
(9)	NC
(10)	NC

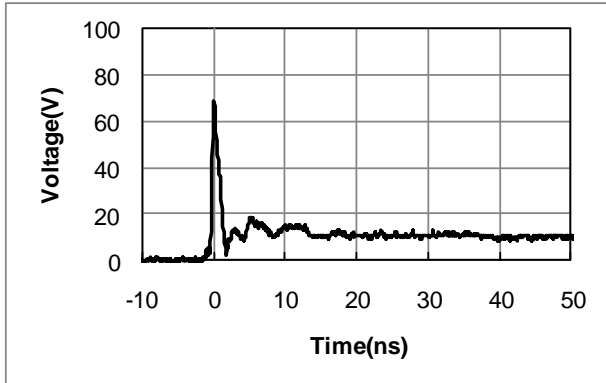
4. Schematic

5. Maximum Ratings

Rating	Symbol	Value	Units
Operating Voltage(IN-GND)	V_{DC}	5.5	V
ESD per IEC 61000-4-2 (air)	V_{ESD}	±15	kV
ESD per IEC 61000-4-2 (contact)		±10	
Lead Soldering Temperature	T_{SOL}	260(10sec.)	°C
Operating Temperature	T_{OP}	-40 to +85	°C
Storage Temperature	T_{STO}	-40 to +125	°C

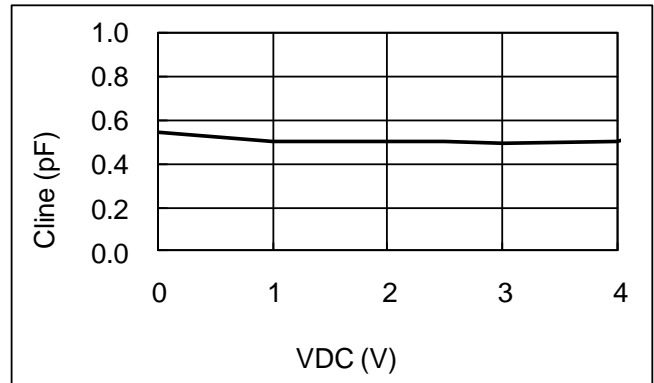
6. Electrical characteristics (T=25 °C)

Parameter	Symbol	Conditions	Min	Typ	Max	Units
Leakage Current	I_{Leak}	$V_{pin3,8}=0V, V_{pin1,2,4,5}=0-5V$			1.5	µA
Breakdown Voltage	V_{BV}	$I_{BV} = 1mA$	6		10	V
Capacitance (I/O-GND)	C_{IN}	$V_{pin3,8}=0V, V_{in}=2.5V, f=1MHz,$		0.5		pF

7. Typical Characteristic

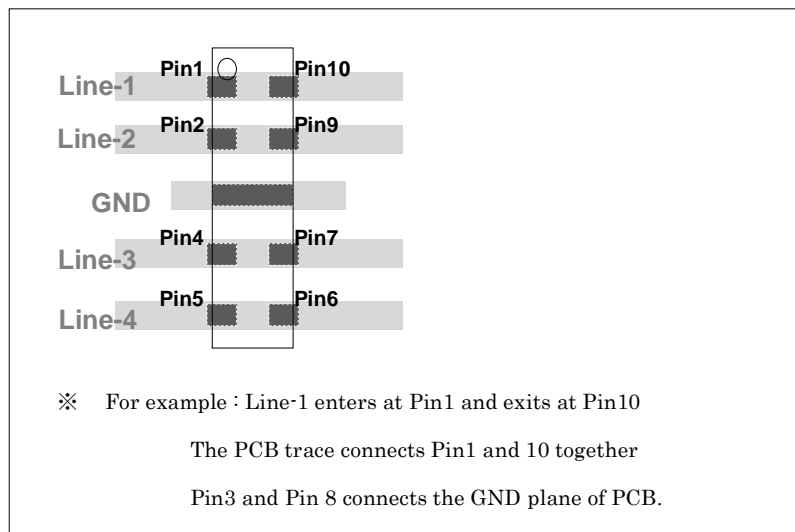
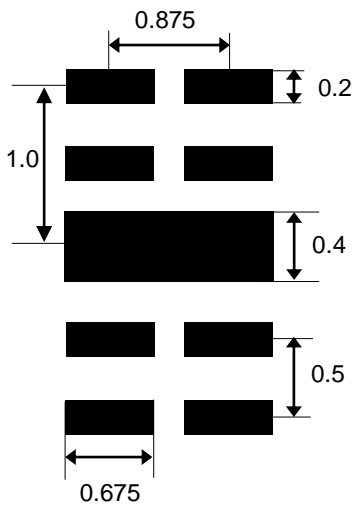


ESD Waveform (IEC61000-4-2:8kV Contact)



Voltage – Capacitance Characteristic

8. Soldering Footprint (dimensions: mm)

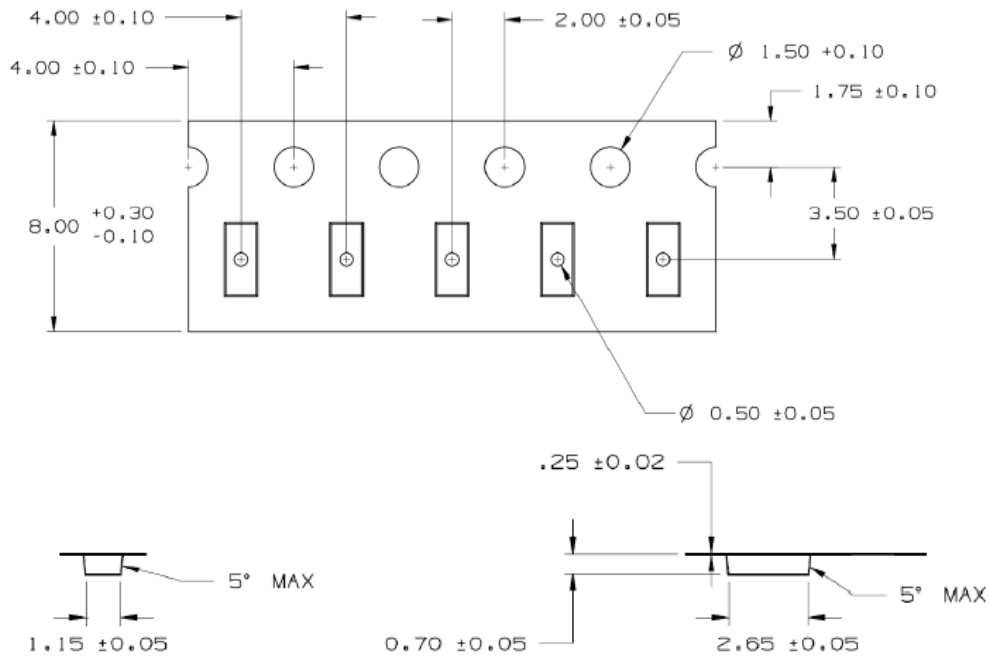


Notes : this land layout is for preference purpose only.

9. Taping Specification

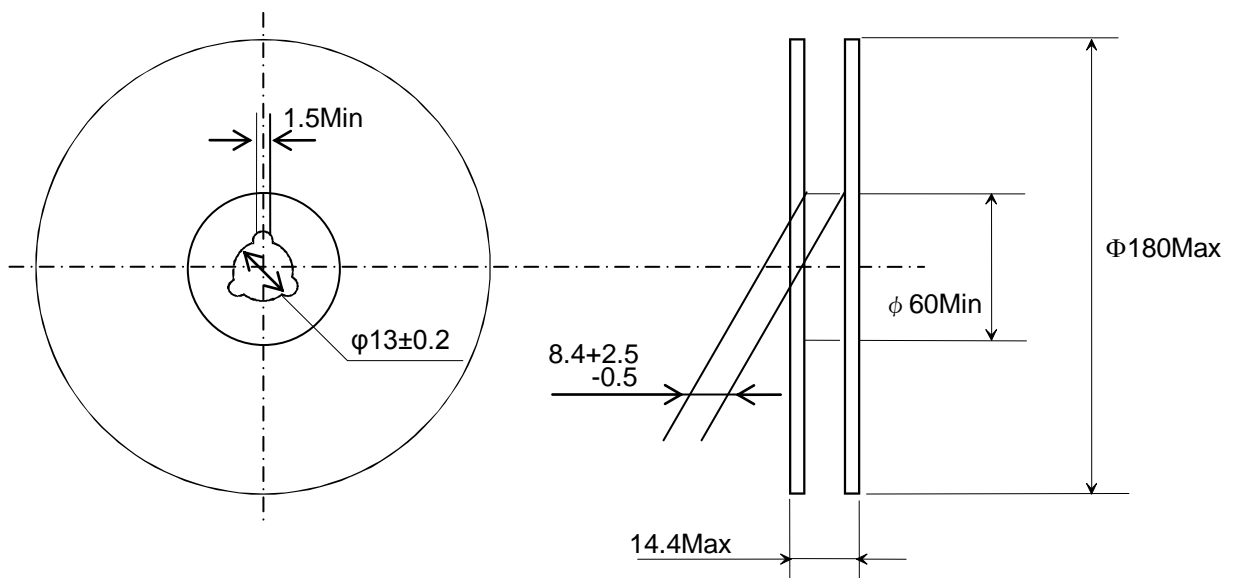
1) Dimensions of Tape (Plastic tape)

(in mm)



2) Dimensions of Reel

(in mm)



3) Packaging unit: 3,000 pcs / reel

Note:

1. This datasheet's specifications are subject to change or our products in it may be discontinued without advance notice. Please check with our sales representatives or product engineers before ordering.
2. This datasheet has only typical specifications because there is no space for detailed specifications. Therefore, please approve our product specifications or transact the approval sheet for product specifications before ordering.

单击下面可查看定价，库存，交付和生命周期等信息

[>>Murata\(村田\)](#)