



## Quick start guide for Murata Wireless development kit for NXP i.MX6 platform

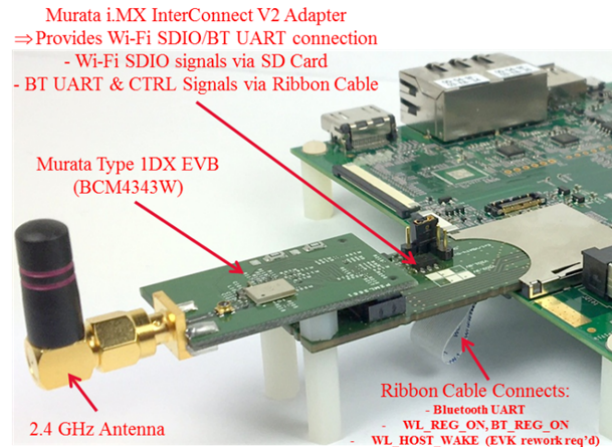
Murata wireless development kit is designed to work with NXP iMX6 platforms. The kit consists of Murata EVB of type specified below, Murata custom interconnect board for NXP platform and Antenna (dual or single band depending on option).

See the color coded labels on the package to identify different components in the kit and see figure on right for details on how they connect.

There are several options for Murata EVB. Check your box label and part number for the EVB option that you have purchased.

\*See table below for Murata EVB options in the box

Part	Order part number	Chipset	Wi-Fi	BT
Type ZP EVK+	LBEH5HMZPC-TEMP-DS-SD	BCM4339	802.11 b/g/n/ac	v4.0+EDR
Type 1BW EVK+	LBEH5DU1BW-TEMP-DS-SD	BCM43340	802.11 a/b/g/n	v4.0+EDR
<b>Type 1DX EVK+</b>	<b>LBEE5KL1DX-TEMP-DS-SD</b>	<b>BCM4343W</b>	<b>802.11 b/g/n</b>	<b>v4.1+EDR</b>
Type 1FX EVK+	LBWA1KL1FX-TEMP-DS-SD	BCM43364	802.11 b/g/n	No
SN8000	88-00153-90	BCM43362	802.11 b/g/n	No



Further information and support:

Web: [wireless.murata.com/imx](http://wireless.murata.com/imx)

myMurata : <https://my.murata.com/en/home>

myMurata Access Code : MuRegIMX

Email: [imxfaq@murata.com](mailto:imxfaq@murata.com)

### Contents of the Kit

#### Software support

- NXP Linux and Android i.MX 6 BSP's have native/integrated support for all Murata Modules: based on Broadcom Chipsets.
- Upcoming GA Releases include Linux 3.14.38 and Android Lollipop 5.1.1

Tag	Picture of contents	Description of contents
"Type xx EVB and xx GHz Antenna"		Murata EVB * (ZP/1BW/1DX)  2.4/5.0GHZ Antenna (Dual band) Or 2.4GHz Antenna (Single band) Or 2.4GHz UFL antenna for SN8000
"i.MX Interconnect Ver.1/2"		Murata i.MX InterConnect V1: SD pins (DAT0..7) provide both Wi-Fi SDIO and Bluetooth UART connection. Wired SD Card Extender connects control signals: WL_REG_ON; BT_REG_ON WL_HOST_WAKE (optional)  Murata i.MX InterConnect V2 Wi-Fi over SDIO; ribbon cable provides Bluetooth over UART and control signals. (50 mm ribbon cable included).

单击下面可查看定价，库存，交付和生命周期等信息

[>>Murata\(村田\)](#)

[>>点击查看相关商品](#)