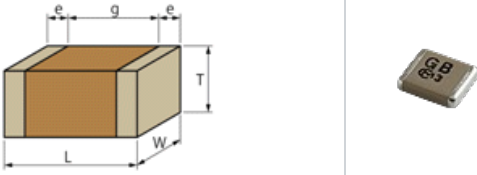





Last Time Buy Date: 31 Mar 2019 Date of discontinuation: 30 Sep 2019

< List of part numbers with package codes >
GA355DR7GC472KY02L

Shape

| | |
|---------------------------------------|--------------|
| L size | 5.7 ±0.4mm |
| W size | 5.0 ±0.4mm |
| T size | 2.0 ±0.3mm |
| External terminal width e | 0.3mm min. |
| Distance between external terminals g | 4.0mm min. |
| Size code in inch(mm) | 2220 (5750M) |

Notes

Please use replacements or Recommended.

References

| Packaging | Specifications | Minimum quantity |
|-----------|-------------------------|------------------|
| L | φ 180mm Embossed taping | 1000 |

| Mass (typ.) | |
|--------------|-------|
| 1 piece | 290mg |
| φ 180mm Reel | 347g |

Specifications

| | |
|--|--------------|
| Capacitance | 4700pF ±10% |
| Rated voltage | 250Vac |
| Temperature characteristics (complied standard) | X7R(EIA) |
| Capacitance change rate | ±15.0% |
| Temperature range of temperature characteristics | -55 to 125°C |
| Operating temperature range | -55 to 125°C |

Attention

- 1.This datasheet is downloaded from the website of Murata Manufacturing Co., Ltd. Therefore, it's specifications are subject to change or our products in it may be discontinued without advance notice. Please check with our sales representatives or product engineers before ordering.
- 2.This datasheet has only typical specifications because there is no space for detailed specifications. Therefore, please review our product specifications or consult the approval sheet for product specifications before ordering.

单击下面可查看定价，库存，交付和生命周期等信息

[>>Murata\(村田\)](#)