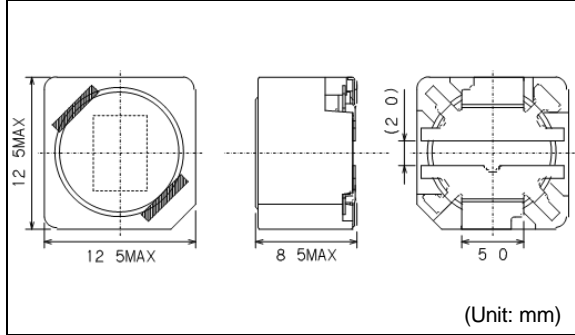


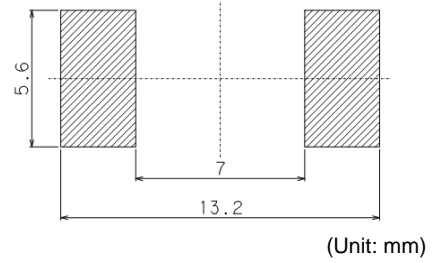
# MBH12282C



Inductance Range: 2.0~1000μH



**Recommended patterns**  
推荐焊盘尺寸



## FEATURES 特点

- AEC-Q200 Compliant.
- 12.5× 12.5mm Max. square, 8.5mm Max. height.
- Magnetically shielded.
- Operating temperature : -40~+150°C
- 符合AEC-Q200
- 最大12.5×12.5毫米的平面，最大高度8.5毫米
- 磁性屏蔽结构
- 使用温度范围：-40~+150°C

## STANDARD PART NUMBERS 标准零件号码

### TYPE MBH12282C (Quantity/reel; 300 PCS)

零件号码	电感值 <sup>(1)</sup>	公差	最大直流电阻 <sup>(2)</sup> (典型)	最大电感值减小电流 <sup>(3)</sup> (典型)	最大温度上升电流 <sup>(3)</sup> (典型)
Part Number	Inductance <sup>(1)</sup> (μH)	Tolerance (%)	DC Resistance <sup>(2)</sup> (mΩ) Tolerance ±20%	Inductance Decrease Current <sup>(3)</sup> (A) Max.(Typ.) ΔL/L=10%	Temperature Rise Current <sup>(3)</sup> ΔT=40°C (A) Max. (Typ.)
* MBH12282C-2R0NA=P3	2.0	±30	9.1	13 (18)	7.3 (9.2)
* MBH12282C-3R9NA=P3	3.9	±30	12	9.1 (13)	6.2 (7.8)
* MBH12282C-4R7NA=P3	4.7	±30	13	7.9 (11)	5.9 (7.4)
MBH12282C-6R8NA=P3	6.8	±30	15	7.0 (10)	5.7 (7.2)
MBH12282C-100MA=P3	10	±20	18	5.7 (8.2)	5.3 (6.3)
* MBH12282C-150MA=P3	15	±20	21	4.4 (6.3)	4.7 (5.6)
* MBH12282C-220MA=P3	22	±20	29	3.8 (5.5)	4.0 (4.8)
* MBH12282C-330MA=P3	33	±20	47	3.0 (4.3)	3.0 (3.6)
MBH12282C-470MA=P3	47	±20	66	2.5 (3.6)	2.6 (3.1)
MBH12282C-680MA=P3	68	±20	83	2.1 (3.0)	2.2 (2.7)
MBH12282C-820MA=P3	82	±20	91	1.9 (2.8)	2.2 (2.6)
MBH12282C-101MA=P3	100	±20	110	1.7 (2.5)	1.9 (2.3)
* MBH12282C-151MA=P3	150	±20	160	1.4 (2.0)	1.6 (1.9)
* MBH12282C-221MA=P3	220	±20	250	1.1 (1.6)	1.2 (1.5)
MBH12282C-331MA=P3	330	±20	350	0.9 (1.3)	1.1 (1.3)
* MBH12282C-471MA=P3	470	±20	460	0.84 (1.2)	0.93 (1.1)
* MBH12282C-681MA=P3	680	±20	720	0.66 (0.95)	0.76 (0.90)
MBH12282C-102MA=P3	1000	±20	1050	0.56 (0.81)	0.59 (0.70)

\* Under development

1) Inductance is measured with a LCR meter 4284A(Agilent Technologies) or equivalent. Test frequency at 100kHz  
 2) DC resistance is measured with 34420A (Agilent Technologies) or 3541(HIOKI). (Reference ambient temperature 25°C)  
 3) Maximum allowable DC current is that which causes a 10% inductance reduction from the initial value, coil temperature to rise by 40°C, whichever is smaller. (Reference ambient temperature 25°C)

(1) LCR仪表4284A (Agilent技术)或者功能相同的仪器在100kHz下测试电感值。  
 (2) 通过数码万用表34420A (Agilent技术) 或者3541(HIOKI)测试直流电阻。(环境温度25°C)  
 (3) 允许最大直流电的范围是以下两者中较小的一个：引起电感值从最初值降低10%，或者线圈温度升高40°C。(参考周围环境温度25°C)。

单击下面可查看定价，库存，交付和生命周期等信息

[>>Murata\(村田\)](#)