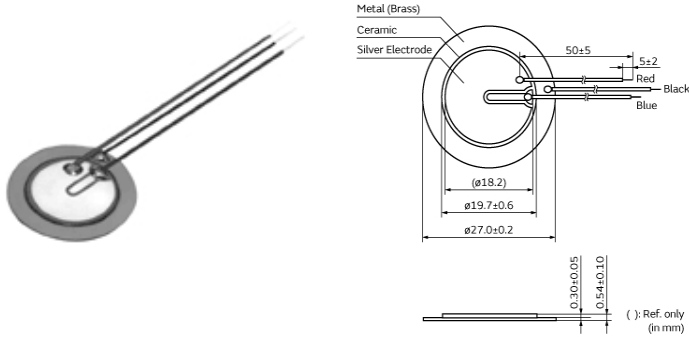


7BB-27-4CL0



Appearance & Shape



Features

1. Clear sound
2. Ultra thin and lightweight
3. No contacts: therefore, no noise and highly reliable
4. Low power consumption for voltage type

Applications


Other Usage	Consumer/Industrial
-------------	---------------------

Packaging Information

Packaging	Specifications	Minimum Order Quantity
-	Bulk	600

Attention
 1.This datasheet is downloaded from the website of Murata Manufacturing Co., Ltd. Therefore, it's specifications are subject to change or our products in it may be discontinued without advance notice. Please check with our sales representatives or product engineers before ordering.
 2.This datasheet has only typical specifications because there is no space for detailed specifications.
 Therefore, please review our product specifications or consult the approval sheet for product specifications before ordering.

7BB-27-4CL0



Specifications

Resonance Frequency	4.6kHz
Resonant Frequency Tolerance	±0.5kHz
Resonant Impedance (R1)	350Ω
Capacitance	18nF
Capacitance Tolerance	±30%
Measurement Condition of Capacitance	[1kHz]
Operating Temperature Range	-20°C to 70°C
Storage Temperature Range	-30°C to 80°C
Shape	With lead wire
Plate Size	27mm
Element Size	19.7mm
Plate Material	Brass
Specification of Lead Wire	AWG32
Lead Length	50mm
Drive Type	Self Drive
EIAJ Part Number	PD-SU3-C27-46
Mass	2257mg

Attention

- 1.This datasheet is downloaded from the website of Murata Manufacturing Co., Ltd. Therefore, it's specifications are subject to change or our products in it may be discontinued without advance notice. Please check with our sales representatives or product engineers before ordering.
- 2.This datasheet has only typical specifications because there is no space for detailed specifications. Therefore, please review our product specifications or consult the approval sheet for product specifications before ordering.

单击下面可查看定价，库存，交付和生命周期等信息

[>>Murata\(村田\)](#)