

**CHIP COIL (CHIP INDUCTORS) LQH32CN□□□□33L REFERENCESPECIFICATION**

**1.Scope**

This reference specification applies to LQH32CN\_33 Series, Chip coil (Chip Inductors).

**2.Part Numbering**

|      |            |           |                 |                                  |          |            |           |          |           |                    |
|------|------------|-----------|-----------------|----------------------------------|----------|------------|-----------|----------|-----------|--------------------|
| (ex) | LQ         | H         | 32              | C                                | N        | R15        | M         | 3        | 3         | L                  |
|      | Product ID | Structure | Dimension (L×W) | Applications and Characteristics | Category | Inductance | Tolerance | Features | Electrode | Packaging L:Taping |

**3.Rating**

- Operating Temperature Range. -40 to +85°C
- Storage Temperature Range. -40 to +85°C

| Customer Part Number | MURATA Part Number | Inductance |              | DC Resistance (Ω) | Self Resonant Frequency (MHz min) | *Rated Current (mA) |
|----------------------|--------------------|------------|--------------|-------------------|-----------------------------------|---------------------|
|                      |                    | (μH)       | Tolerance(%) |                   |                                   |                     |
|                      | LQH32CNR15M33L     | 0.15       | ±20%         | 0.028 ± 30%       | 400                               | 1450                |
|                      | LQH32CNR27M33L     | 0.27       |              | 0.034 ± 30%       | 250                               | 1250                |
|                      | LQH32CNR47M33L     | 0.47       |              | 0.042 ± 30%       | 150                               | 1100                |
|                      | LQH32CN1R0M33L     | 1.0        |              | 0.060 ± 30%       | 100                               | 1000                |
|                      | LQH32CN2R2M33L     | 2.2        |              | 0.097 ± 30%       | 64                                | 790                 |
|                      | LQH32CN4R7M33L     | 4.7        |              | 0.15 ± 30%        | 43                                | 650                 |
|                      | LQH32CN100K33L     | 10         | ±10%         | 0.30 ± 30%        | 26                                | 450                 |

\* When applied Rated current to the Products , self temperature rise shall be limited to 20°C max and Inductance will be within ±10% of initial Inductance value.

**4. Testing Conditions**

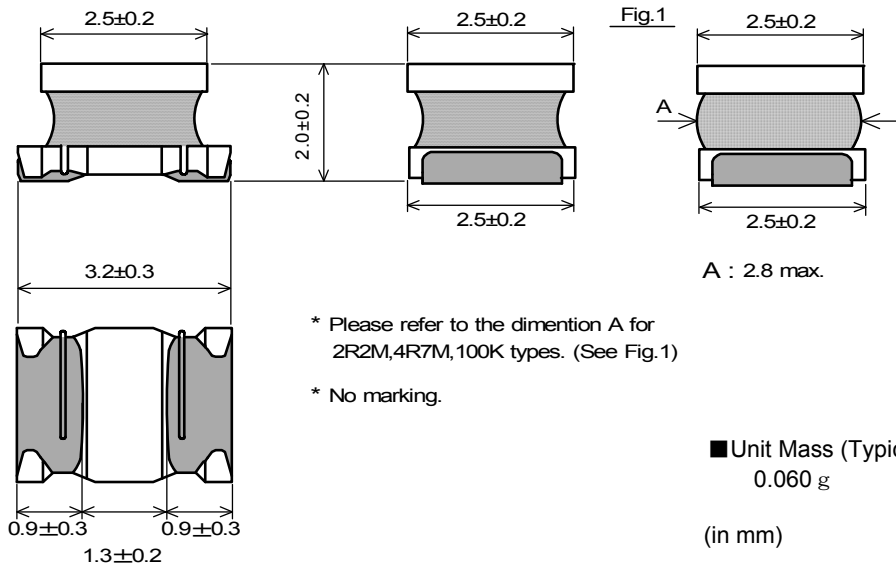
《Unless otherwise specified》

- Temperature : Ordinary Temperature (15 to 35°C)
- Humidity : Ordinary Humidity (25 to 85 %(RH))

《In case of doubt》

- Temperature : 20 ± 2°C
- Humidity : 60 to 70%(RH)
- Atmospheric Pressure : 86 to 106 kPa

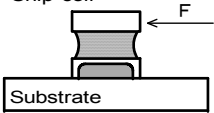
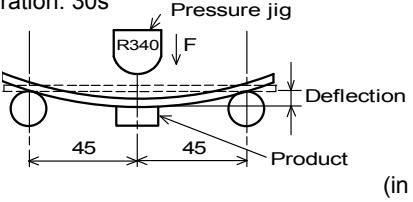
**5.Appearance and Dimensions**



## 6.Electrical Performance

| No. | Item                           | Specification                    | Test Method  |
|-----|--------------------------------|----------------------------------|--|
| 6.1 | Inductance                     | Inductance shall meet item 3.    | Measuring Equipment:KEYSIGHT 4192A or equivalent<br>Measuring Frequency:1MHz |
| 6.2 | DC Resistance                  | DC Resistance shall meet item 3. | Measuring Equipment:Digital multi meter                                      |
| 6.3 | Self Resonant Frequency(S.R.F) | S.R.F shall meet item 3.         | Measuring Equipment:<br>KEYSIGHT E4991A or equivalent                        |

## 7.Mechanical Performance

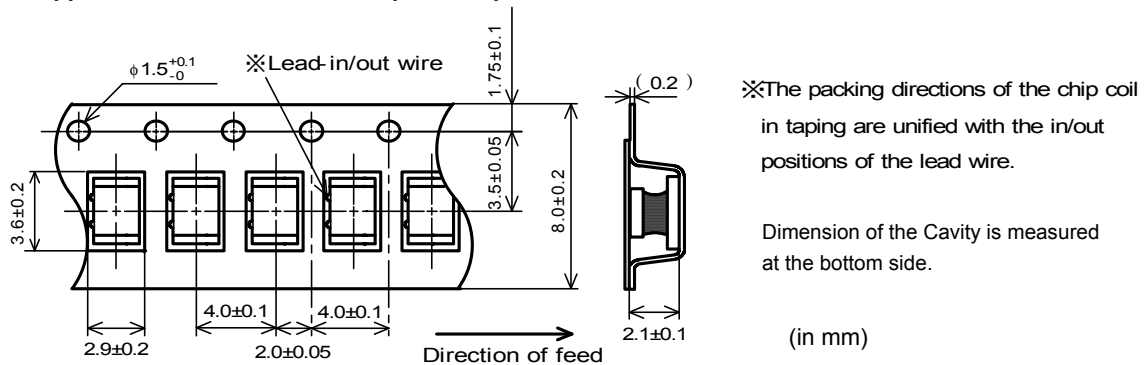
| No. | Item                         | Specification  | Test Method  |
|-----|------------------------------|--|--|
| 7.1 | Shear Test                   | Chip coil shall not be damaged.  | Substrate: Glass-epoxy substrate<br>Applied Direction : <br><br>Force: 10N<br>Hold Duration: 5±1s   |
| 7.2 | Bending Test                 |  | Substrate: Glass-epoxy substrate<br>(100×40×1.6mm)<br>Speed of Applying Force: 1mm / s<br>Deflection: 2mm<br>Hold Duration: 30s<br><br>(in mm)  |
| 7.3 | Vibration                    |  | Oscillation Frequency: 10~55~10Hz for 1 minute<br>Total Amplitude: 1.5mm<br>Testing Time:<br>A period of 2 hours in each of 3 mutually perpendicular directions.<br>(Total 6 hours)  |
| 7.4 | Solderability                | The wetting area of the electrode shall be at least 90% covered with new solder coating. | Flux: Ethanol solution of rosin, 25(wt)%<br>(Immersed for 5s to 10s)<br>Solder: Sn-3.0Ag-0.5Cu<br>Pre-Heating: 150±10°C / 60 to 90seconds<br>Solder Temperature: 240±5°C<br>Immersion Time: 3±1 s  |
| 7.5 | Resistance to Soldering Heat | Appearance:No damage<br>Inductance Change: within ± 5%                                   | Flux: Ethanol solution of rosin, 25(wt)%<br>(Immersed for 5s to 10s)<br>Solder: Sn-3.0Ag-0.5Cu<br>Pre-Heating: 150±10°C / 60 to 90seconds<br>Solder Temperature: 270±5°C<br>Immersion Time: 10±1 s<br>Then measured after exposure in the room condition for 24±2 hours. |

**8.Environmental Performance (It shall be soldered on the substrate.)**

| No. | Item              | Specification  | Test Method   |
|-----|-------------------|--|---|
| 8.1 | Heat Resistance   | Appearance:No damage<br>Inductance Change: within $\pm 5\%$<br>DC Resistance Change:<br>within $\pm 5\%$ | Temperature: $85\pm 2^{\circ}\text{C}$<br>Time: 1000h (+48h , -0h)<br>Then measured after exposure in the room condition for $24\pm 2$ hours.   |
| 8.2 | Cold Resistance   |  | Temperature: $-40\pm 2^{\circ}\text{C}$<br>Time: 1000h (+48h , -0h)<br>Then measured after exposure in the room condition for $24\pm 2$ hours.  |
| 8.3 | Humidity          |  | Temperature: $40\pm 2^{\circ}\text{C}$<br>Humidity: 90~95%(RH)<br>Time: 1000h (+48h , -0h)<br>Then measured after exposure in the room condition for $24\pm 2$ hours.   |
| 8.4 | Temperature Cycle |  | 1 cycle:<br>1 step: $-40\pm 2^{\circ}\text{C}$ / 30 $\pm$ 3 minutes<br>2 step: Ordinary temp. / 10 to 15 minutes<br>3 step: $+85\pm 2^{\circ}\text{C}$ / 30 $\pm$ 3 min<br>4 step: Ordinary temp. / 10 to 15 minutes<br>Total of 10 cycles<br>Then measured after exposure in the room condition for $24\pm 2$ hours. |

**9. Specification of Packaging**

**9.1 Appearance and Dimensions of plastic tape**



**9.2 Specification of Taping**

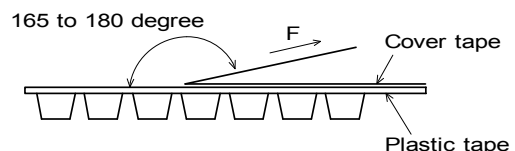
- (1) Packing quantity (standard quantity)  
2,000 pcs / reel
- (2) Packing Method  
Products shall be packed in the each embossed cavity of plastic tape and sealed by cover tape.
- (3) Sprocket hole  
The sprocket holes are to the right as the tape is pulled toward the user.
- (4) Spliced point  
Plastic tape and Cover tape has no spliced point.
- (5) Missing components number  
Missing components number within 0.1 % of the number per reel or 1 pc., whichever is greater, and are not continuous. The specified quantity per reel is kept.

**9.3 Pull Strength**

|                       |          |
|-----------------------|----------|
| Embossed carrier tape | 10N min. |
| Cover tape            | 5N min.  |

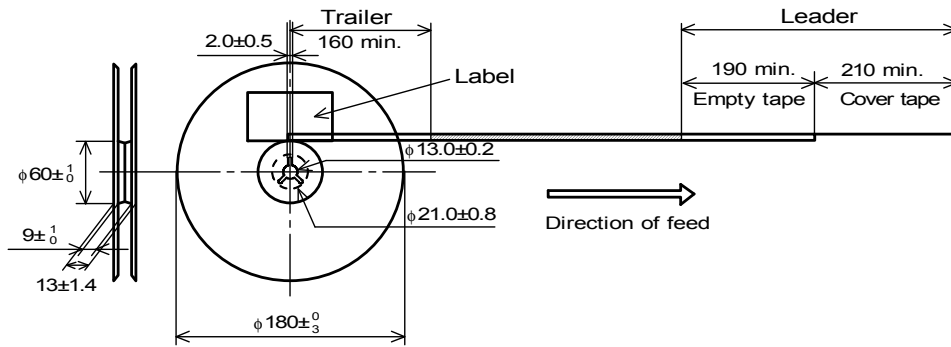
**9.4 Peeling off force of cover tape**

|                      |   |
|----------------------|---|
| Speed of Peeling off | 300mm/min                                 |
| Peeling off force    | 0.2 to 0.7N<br>(minimum value is typical) |



**9.5 Dimensions of Leader-tape, Trailer and Reel**

There shall be leader-tape (cover tape) and trailer-tape (empty tape) as follows.



**9.6 Marking for reel**

Customer part number, MURATA part number, Inspection number(\*1), RoHS marking(\*2), Quantity etc ...

\*1) <Expression of Inspection No.>  $\square\square\ 0000\ \times\times\times$   
 (1) (2) (3)

- (1) Factory Code
- (2) Date
  - First digit : Year / Last digit of year
  - Second digit : Month / Jan. to Sep. → 1 to 9, Oct. to Dec. → O, N, D
  - Third, Fourth digit : Day
- (3) Serial No.

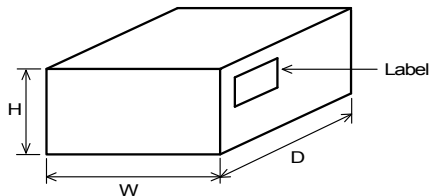
\*2) « Expression of RoHS marking » ROHS -  $\underline{Y} (\triangle)$   
 (1) (2)

- (1) RoHS regulation conformity
- (2) MURATA classification number

**9.7 Marking for Outside package (corrugated paper box)**

Customer name, Purchasing order number, Customer part number, MURATA part number, RoHS marking (\*2), Quantity, etc ...

**9.8. Specification of Outer Case**



| Outer Case Dimensions (mm) |     |    | Standard Reel Quantity in Outer Case (Reel) |
|----------------------------|-----|----|---|
| W                          | D   | H  |   |
| 186                        | 186 | 93 | 5   |

\* Above Outer Case size is typical. It depends on a quantity of an order.

**10. ⚠ Caution**

**Limitation of Applications**

Please contact us before using our products for the applications listed below which require especially high reliability for the prevention of defects which might directly cause damage to the third party's life, body or property.

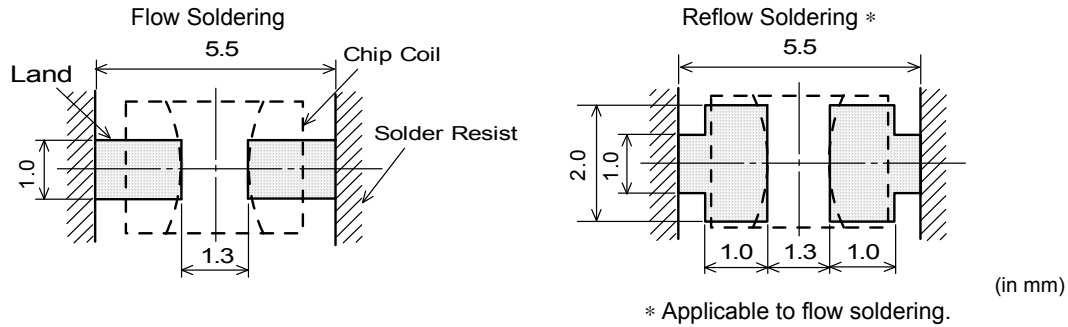
- (1) Aircraft equipment
- (2) Aerospace equipment
- (3) Undersea equipment
- (4) Power plant control equipment
- (5) Medical equipment
- (6) Transportation equipment (vehicles, trains, ships, etc.)
- (7) Traffic signal equipment
- (8) Disaster prevention / crime prevention equipment
- (9) Data-processing equipment
- (10) Applications of similar complexity and /or reliability requirements to the applications listed in the above

**11. Notice**

This product is designed for solder mounting.  
Please consult us in advance for applying other mounting method such as conductive adhesive.

**11.1 Land pattern designing**

Recommended land patterns for flow and reflow soldering are as follows:  
These have been designed for Electric characteristics and solderability.  
Please follow the recommended patterns. Otherwise, their performance which includes electrical performance or solderability may be affected, or result to "position shift" in soldering process.



**11.2 Flux, Solder**

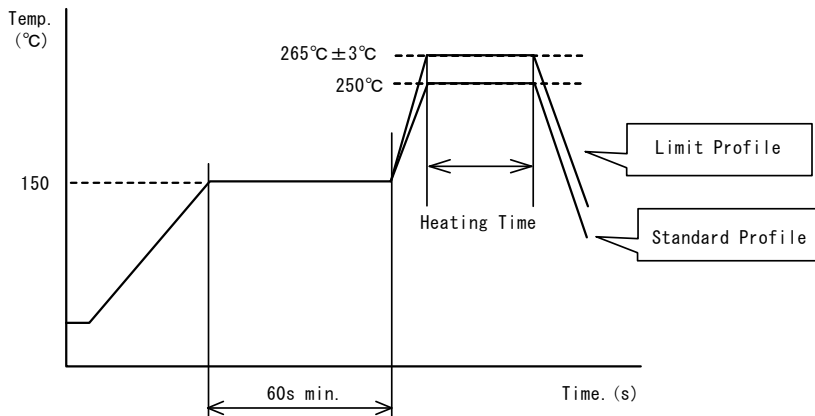
|        |  |
|--------|--|
| Flux   | <ul style="list-style-type: none"> <li>• Use rosin-based flux.</li> <li>• Don't use highly acidic flux with halide content exceeding 0.2(wt)% (chlorine conversion value).</li> <li>• Don't use water-soluble flux.</li> </ul> |
| Solder | <ul style="list-style-type: none"> <li>• Use Sn-3.0Ag-0.5Cu solder</li> <li>• Standard thickness of solder paste : 200µm to 300µm</li> </ul>   |

**11.3 Flow soldering conditions / Reflow soldering conditions**

- Pre-heating should be in such a way that the temperature difference between solder and product surface is limited to 150°C max. Cooling into solvent after soldering also should be in such a way that the temperature difference is limited to 100°C max.
  - Insufficient pre-heating may cause cracks on the product, resulting in the deterioration of product quality.
  - Standard soldering profile and the limit soldering profile is as follows.
- The excessive limit soldering conditions may cause leaching of the electrode and / or resulting in the deterioration of product quality.

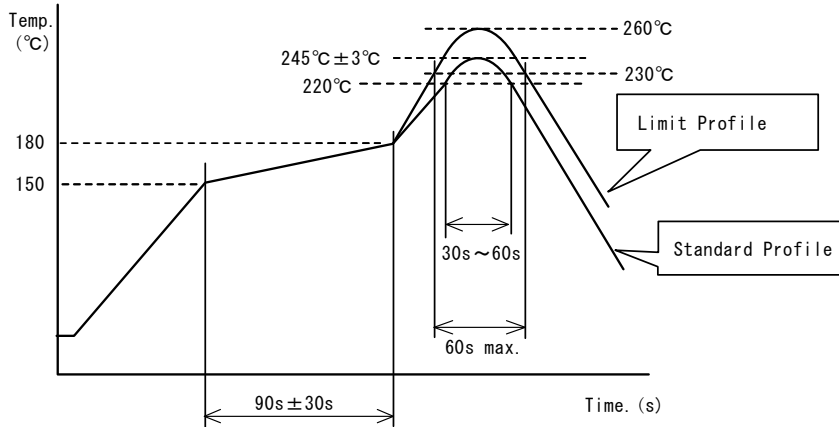
**Soldering profile**

(1)Flow soldering profile



|               | Standard Profile | Limit Profile |
|---------------|------------------|---------------|
| Pre-heating   | 150°C、60s min.   |               |
| Heating       | 250°C、4s~6s      | 265°C±3°C、5s  |
| Cycle of flow | 2 times          | 1 time        |

(2)Reflow soldering profile



|                  | Standard Profile    | Limit Profile        |
|------------------|---------------------|----------------------|
| Pre-heating      | 150~180°C、90s±30s   |                      |
| Heating          | above 220°C、30s~60s | above 230°C、60s max. |
| Peak temperature | 245±3°C             | 260°C,10s            |
| Cycle of reflow  | 2 times             | 1 time               |

11.4 Reworking with soldering iron.

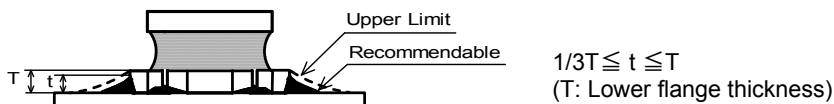
The following conditions must be strictly followed when using a soldering iron.

|                       |             |
|-----------------------|-------------|
| Pre-heating           | 150°C,1 min |
| Tip temperature       | 350°C max.  |
| Soldering iron output | 80W max.    |
| Tip diameter          | φ3mm max.   |
| Soldering time        | 3(+1,-0)s   |
| Times                 | 2 times     |

Note : Do not directly touch the products with the tip of the soldering iron in order to prevent the crack on the products due to the thermal shock.

11.5 Solder Volume

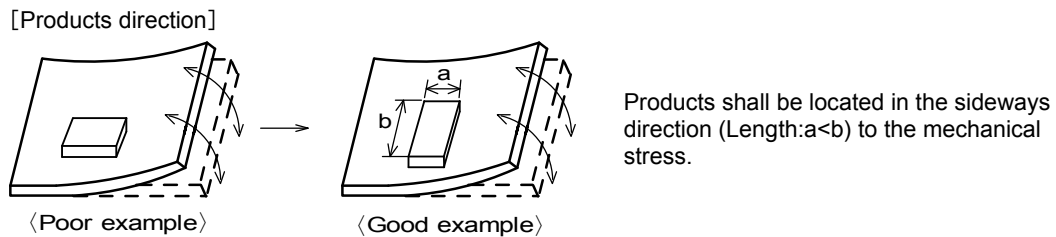
- Solder shall be used not to be exceed the upper limits as shown below.
- Accordingly increasing the solder volume, the mechanical stress to Chip is also increased. Exceeding solder volume may cause the failure of mechanical or electrical performance.



11.6 Product's location

The following shall be considered when designing and laying out P.C.B.'s.

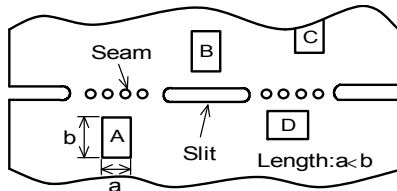
- (1) P.C.B. shall be designed so that products are not subject to the mechanical stress due to warping the board.



(2) Components location on P.C.B. separation.

It is effective to implement the following measures, to reduce stress in separating the board. It is best to implement all of the following three measures; however, implement as many measures as possible to reduce stress.

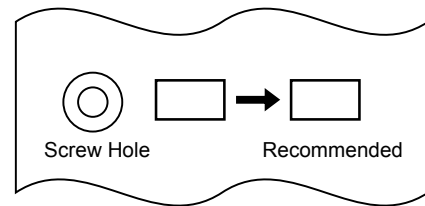
| Contents of Measures   | Stress Level |
|--|--------------|
| (1) Turn the mounting direction of the component parallel to the board separation surface. | A > D *1     |
| (2) Add slits in the board separation part.  | A > B        |
| (3) Keep the mounting position of the component away from the board separation surface.    | A > C        |



\*1 A > D is valid when stress is added vertically to the perforation as with Hand Separation. If a Cutting Disc is used, stress will be diagonal to the PCB, therefore A > D is invalid.

(3) Mounting Components Near Screw Holes

When a component is mounted near a screw hole, it may be affected by the board deflection that occurs during the tightening of the screw. Mount the component in a position as far away from the screw holes as possible.



11.7 Cleaning Conditions

Products shall be cleaned on the following conditions.

- (1) Cleaning temperature shall be limited to 60°C max.(40°C max for IPA.)
- (2) Ultrasonic cleaning shall comply with the following conditions with avoiding the resonance phenomenon at the mounted products and P.C.B.  
 Power : 20 W / l max.      Frequency : 28kHz to 40kHz      Time : 5 minutes max.
- (3) Cleaner
  1. Alternative cleaner
    - Isopropyl alcohol (IPA)
  2. Aqueous agent
    - PINE ALPHA ST-100S
- (4) There shall be no residual flux and residual cleaner after cleaning.  
 In the case of using aqueous agent, products shall be dried completely after rinse with de-ionized water in order to remove the cleaner.
- (5) Other cleaning  
 Please contact us.

11.8 Resin coating

The inductance value may change due to high cure-stress of resin to be used for coating/molding products. An open circuit issue may occur by mechanical stress caused by the resin, amount/cured shape of resin, or operating condition etc. Some resin contains some impurities or chloride possible to generate chlorine by hydrolysis under some operating condition may cause corrosion of wire of coil, leading to open circuit. So, please pay your careful attention when you select resin in case of coating/molding the products with the resin. Prior to use the coating resin, please make sure no reliability issue is observed by evaluating products mounted on your board.

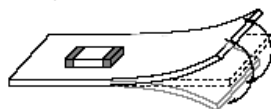
11.9 Caution for use

- Sharp material such as a pair of tweezers or other material such as bristles of cleaning brush, shall not be touched to the winding portion to prevent the breaking of wire.
- Mechanical shock should not be applied to the products mounted on the board to prevent the breaking of the core

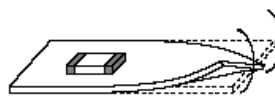
11.10 Handling of a substrate

After mounting products on a substrate, do not apply any stress to the product caused by bending or twisting to the substrate when cropping the substrate, inserting and removing a connector from the substrate or tightening screw to the substrate. Excessive mechanical stress may cause cracking in the product.

Bending



Twisting



**11.11 Storage and Handling Requirements**

## (1) Storage period

Use the products within 12 months after delivered.

Solderability should be checked if this period is exceeded.

## (2) Storage conditions

- Products should be stored in the warehouse on the following conditions.

Temperature : -10 ~ 40°C

Humidity : 15 to 85% relative humidity No rapid change on temperature and humidity

The electrode of the products is coated with solder. Don't keep products in corrosive gases such as sulfur, chlorine gas or acid, or it may cause oxidization of electrode, resulting in poor solderability.

- Products should not be stored on bulk packaging condition to prevent the chipping of the core and the breaking of winding wire caused by the collision between the products.
- Products should be stored on the palette for the prevention of the influence from humidity, dust and so on.
- Products should be stored in the warehouse without heat shock, vibration, direct sunlight and so on.

## (3) Handling Condition

Care should be taken when transporting or handling product to avoid excessive vibration or mechanical shock.

**12.  Note**

- (1) Please make sure that your product has been evaluated in view of your specifications with our product being mounted to your product.
- (2) You are requested not to use our product deviating from the reference specifications.
- (3) The contents of this reference specification are subject to change without advance notice. Please approve our product specifications or transact the approval sheet for product specifications before ordering



单击下面可查看定价，库存，交付和生命周期等信息

[>>Murata\(村田\)](#)

[>>点击查看相关商品](#)