



Typical unit

**FEATURES**

- 30W DC-DC converter
- 10.8-27V Input Voltage range
- 22.4 x 35.5 x 8.9mm Size
- 90% efficiency (typical)
- Surface mount module
- 2250Vdc Input-Output Isolation
- Operating Temperature range -40 to +85 °C

**PRODUCT OVERVIEW**

The MYBSS054R6EBF is an isolated, regulated, DC-DC converter that has an input range of 10.8-27Vdc with a typical efficiency of 90%, and full 2250 Volt DC isolation.

The MYBSS054R6EBF is ideal for PoE PSE Devices. Module has self-protection features. These include input undervoltage lockout and output current limit. The outputs current limit is using the hiccup autorestart technique.

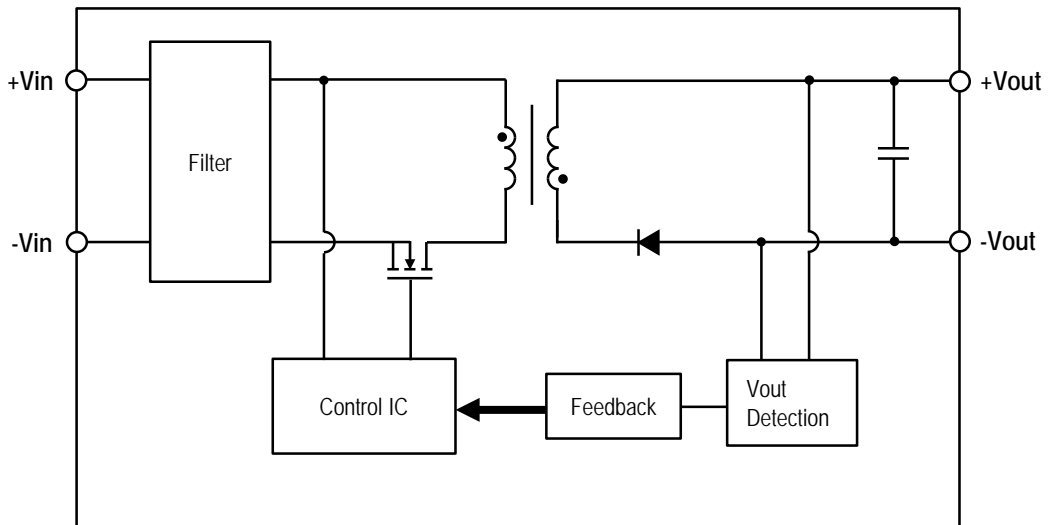
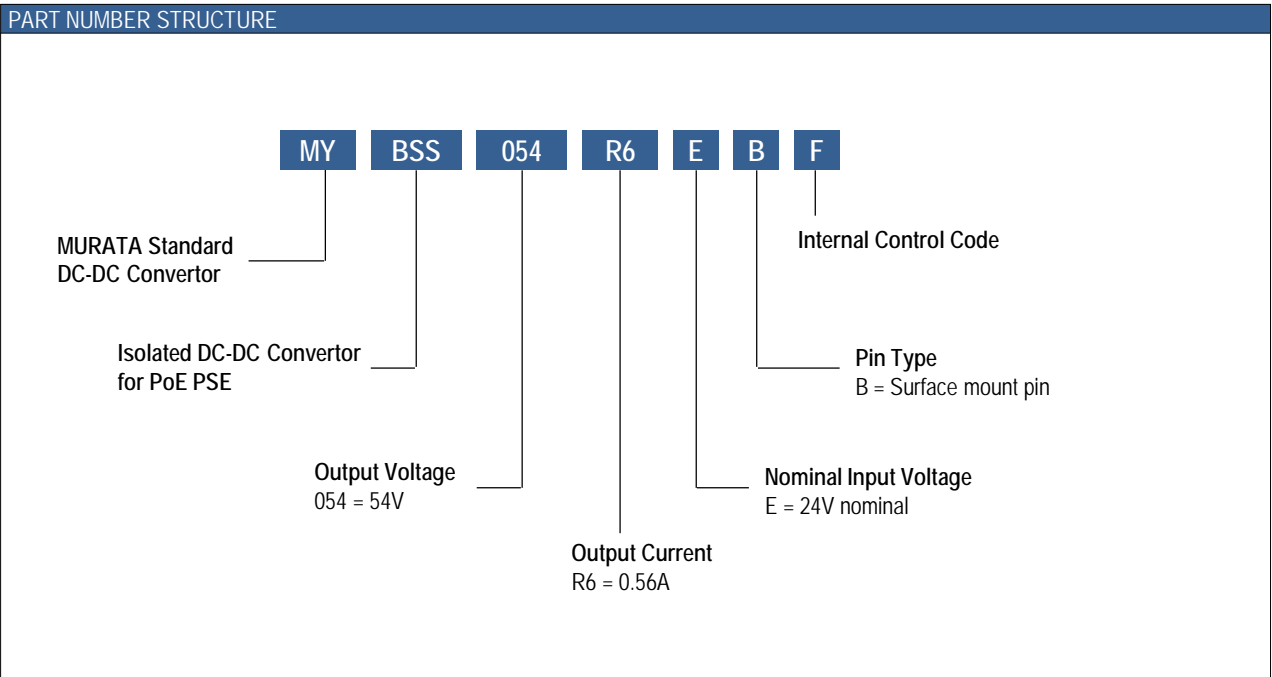


Figure 1. Simplified Block Diagram  
Typical topology is shown.

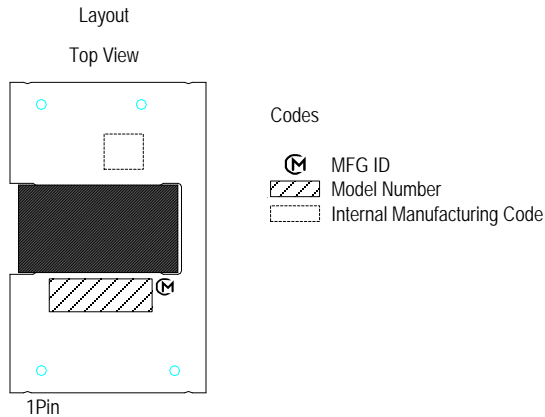


PERFORMANCE SPECIFICATIONS SUMMARY AND ORDERING GUIDE													
Model Number	Output						Input				Efficiency (%)		Package (mm)
	Vout (Vdc)	Iout (A,Max.)	Power (W)	R/N Typ. (mVp-p)	Regulation Typ.		Vin Nom. (Vdc)	Range (Vdc)	Iin, no load Typ.(mA)	Iin, full load Typ.(A)	Min.	Typ.	
					Line (%)	Load (%)							
MYBSS054R6EBF	54	0.56	30	300	±0.1	±0.1	24	10.8-27	25	1.4	86	90	22.4 x 35.5 x 8.9

1. Please refer to the Part Number Structure for additional ordering information and options.
2. All specifications are at nominal line voltage, full load, +25°C unless otherwise stated.



**Product Marking**



## FUNCTIONAL SPECIFICATIONS, MYBSS054R6EBF

ABSOLUTE MAXIMUM RATINGS	Conditions	Minimum	Typical / Nominal	Maximum	Units
Input Voltage, Continuous		0		27	Vdc
Input Voltage, Transient	100ms max. duration			30	Vdc
Isolation Voltage	Input to output, Leak current 1mA max for 1minute at +25°C/60%RH.			2250	Vdc
Output Power		0		30	W
Output Current	Current-limited, no damage, short-circuit protected	0		0.56	A
Storage Temperature Range	Vin = Zero (no power)	-40		90	°C
Absolute maximums are stress ratings. Exposure of devices to greater than any of these conditions may adversely affect long-term reliability. Proper operation under conditions other than those listed in the Performance/Functional Specifications Table is not implied or recommended.					
<b>INPUT</b>					
Operating Voltage Range		10.8	24	27	Vdc
Start-up threshold	Rising input voltage		10		Vdc
Hysteresis Voltage	Input voltage difference between start-up and undervoltage shutdown		1		Vdc
Internal Filter Type			Pi		
<b>Input current</b>					
Full Load Conditions	Vin = nom., Iout = max		1.4		A
Low Line Input current	Vin = min., Iout = max.		3.1		A
No Load Current	Vin = nom., Iout = 0A.		25		mA
<b>GENERAL and SAFETY</b>					
Efficiency	Vin = nom., full load	86	90		
<b>Isolation</b>					
Isolation Voltage	Input to output, Leak current 1mA max for 1minute at +25°C/60%RH.	2250			Vdc
Insulation Safety Rating			Functional		
Isolation Capacitance			1500		pF
Calculated MTBF	Telcordia SR-332, Issue 1, class 3, ground fixed, Ta = +25°C		2242		Hours x 10 <sup>3</sup>
<b>DYNAMIC CHARACTERISTIC</b>					
Fixed Switching Frequency	Iout = max		170		kHz
Vin Startup delay time	Power On to Vout regulated		160		ms
Vout Rise Time	From 10%-90% of Vout		20		ms
Dynamic Load Response	50-100-50% load step to 1% of Vout		250		µSec
Dynamic Load Peak Deviation	same as above		±200		mVdc

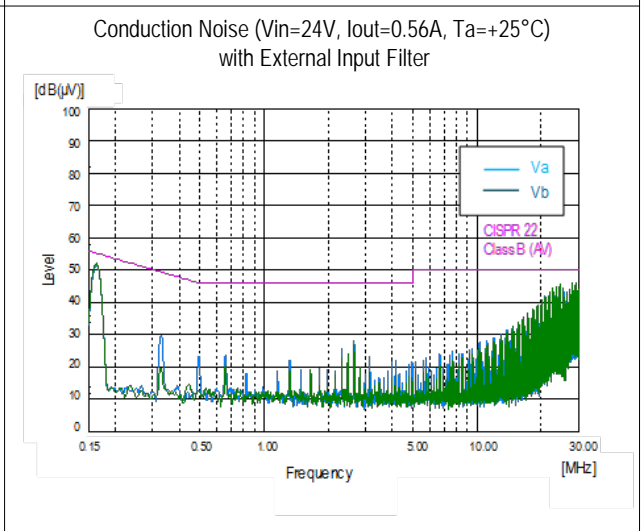
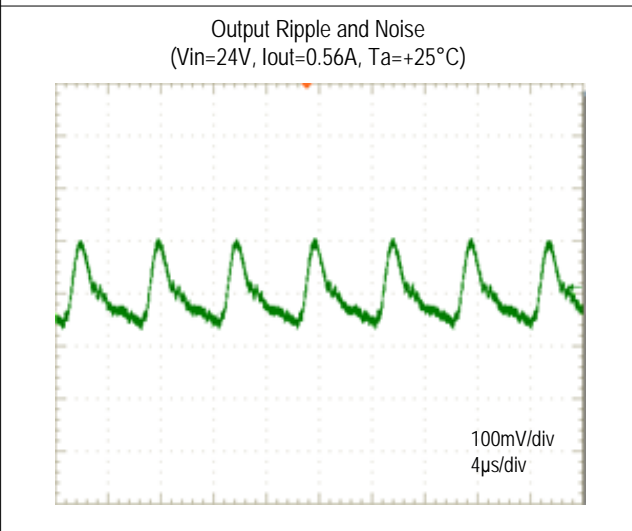
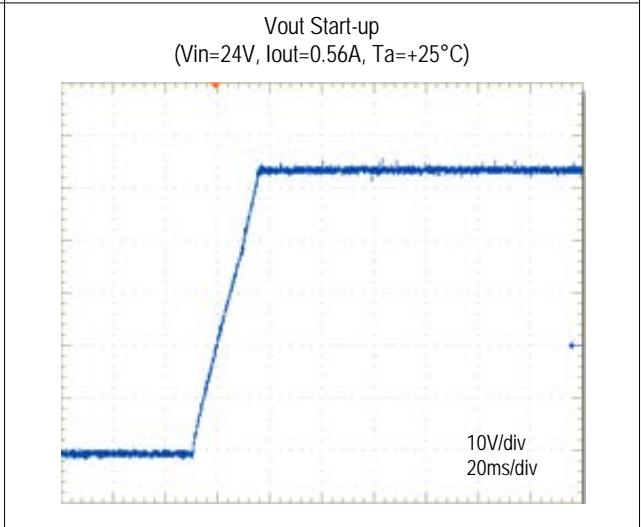
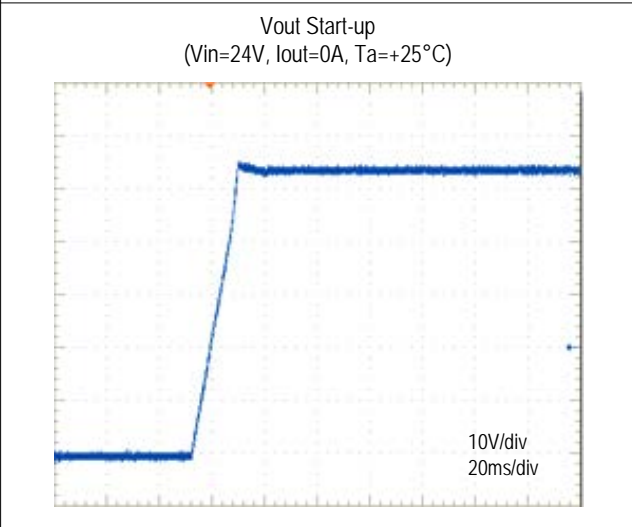
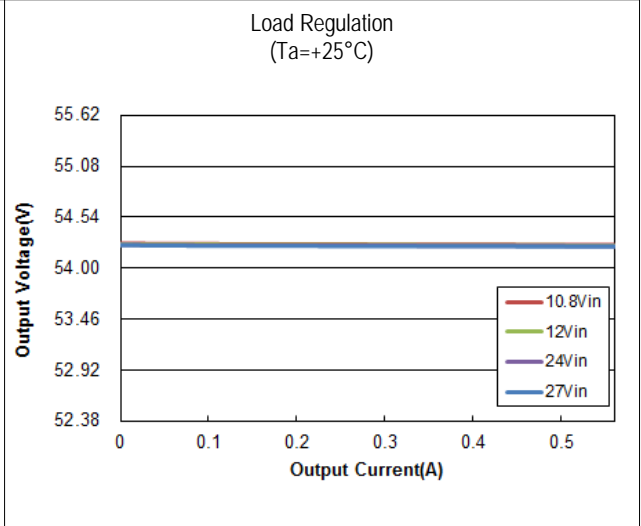
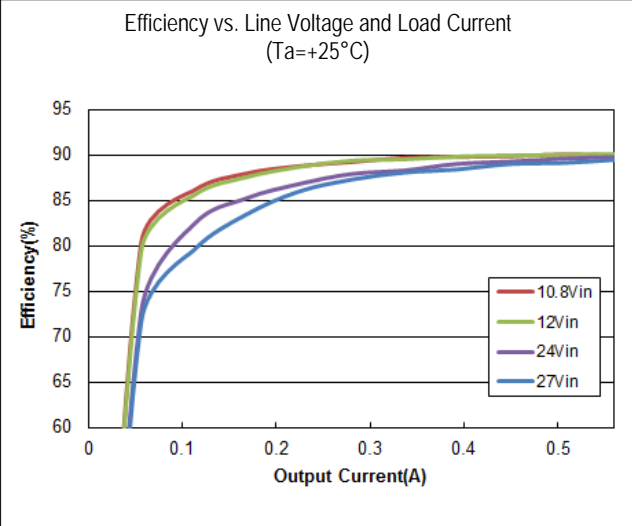
## FUNCTIONAL SPECIFICATIONS, MYBSS054R6EBF(CONT.)

OUTPUT	Conditions	Minimum	Typical / Nominal	Maximum	Units
Total Output Power		0		30	W
<b>Voltage</b>					
Nominal Output Voltage	all conditions	52.38	54	55.62	Vdc
Overvoltage Protection			None		Vdc
<b>Current</b>					
Output Current Range		0		0.56	A
Current Limit Inception		0.588			A
Short circuit protection method	Hiccup current limiting		Non-latching		
<b>Regulation</b>					
Line Regulation	Vin=min. to max., Vout=nom., full load		±0.1		% of Vout
Load Regulation	Iout = min. to max.		±0.1		% of Vout
Ripple and Noise	150 MHz BW, Cout=0.1µF MLCC paralleled with 10µF and 47µF Low ESR Electrolytic Capacitor		300		mV pk-pk
Maximum Capacitive Loading	Low ESR Electrolytic Capacitor	33		56	µF
<b>MECHANICAL</b>					
Outline Dimensions	L x W x H		22.4 x 35.5 x 8.9		mm
Weight			12.5		Grams
Pin Diameter			1.57		mm
Pin Material			Copper alloy		
<b>ENVIRONMENTAL</b>					
Operating Ambient Temperature Range		-40		85	°C
Storage Temperature	Vin = Zero (no power)	-40		90	°C
Thermal Protection/Shutdown	Measured at hotspot		None		°C
Electromagnetic Interference Conducted, EN55022/CISPR22	External filter is required		B		Class
RoHS rating			RoHS-6		

### Specification Notes

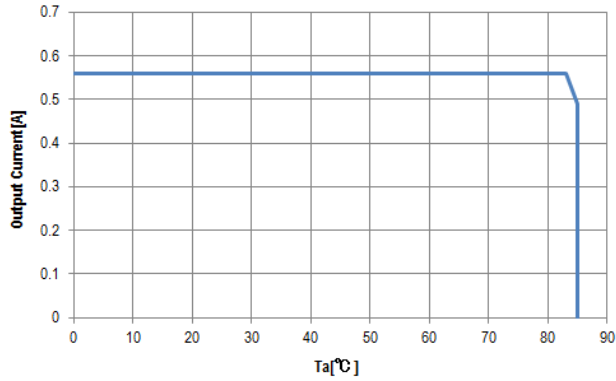
Unless otherwise noted, all specifications are typical at nominal input voltage, nominal output voltage and full load. General conditions are +25° C ambient temperature, near sea level altitude, natural convection airflow. All models are tested and specified with external parallel 47µF, 0.1µF and 10µF output capacitors (See Technical Notes).

PERFORMANCE DATA, MYBSS054R6EBF

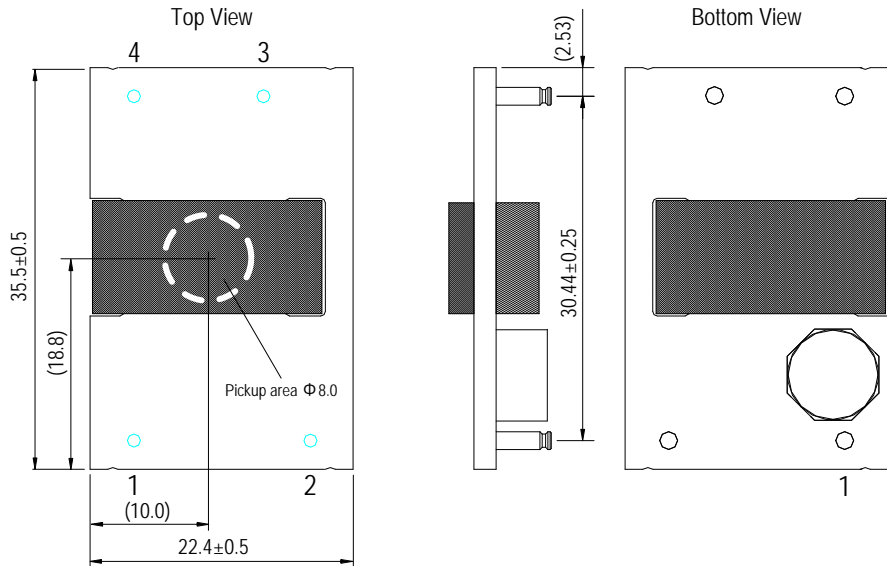


PERFORMANCE DATA, MYBSS054R6EBF(CONT.)

Thermal Derating  
Unit under test (UUT) is covered by acrylic box to avoid airflow.  
( $V_{in}=24V$ , See Technical Notes)



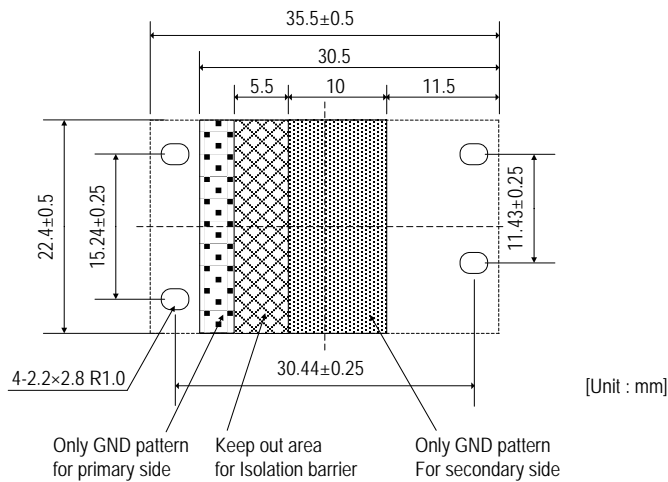
**MECHANICAL SPECIFICATIONS**



[Unit : mm]

INPUT / OUTPUT CONNECTIONS			
Pin	Designation	Function	Pin size
1	+Vin	Positive Input Voltage	Φ1.57
2	-Vin	Negative Input Voltage	Φ1.57
3	-Vout	Negative Output Voltage	Φ1.57
4	+Vout	Positive Output Voltage	Φ1.57

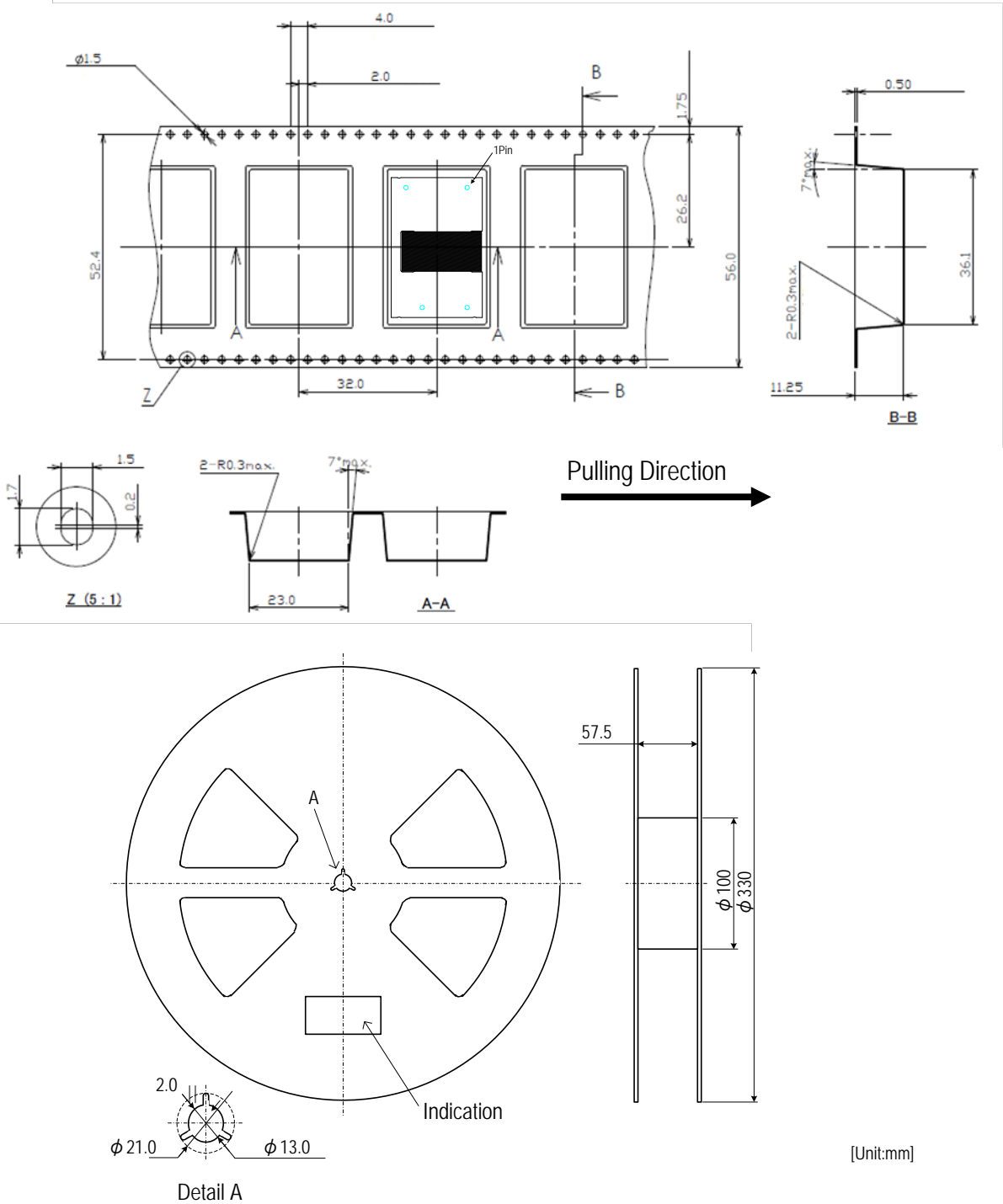
**RECOMMENDED FOOTPRINT (TOP VIEW)**



[Unit : mm]

PACKAGING INFORMATION (SURFACE MOUNT, MSL Rating 1)

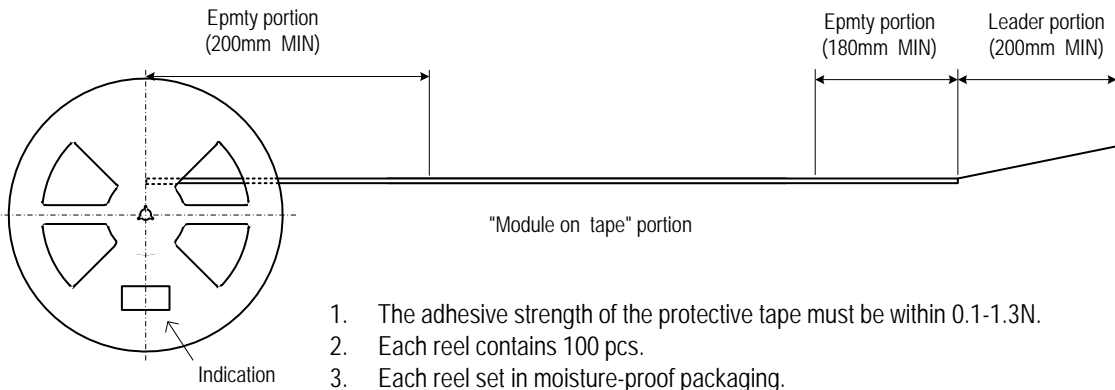
Packaging form  
The products are placed in the Emboss Tape as below



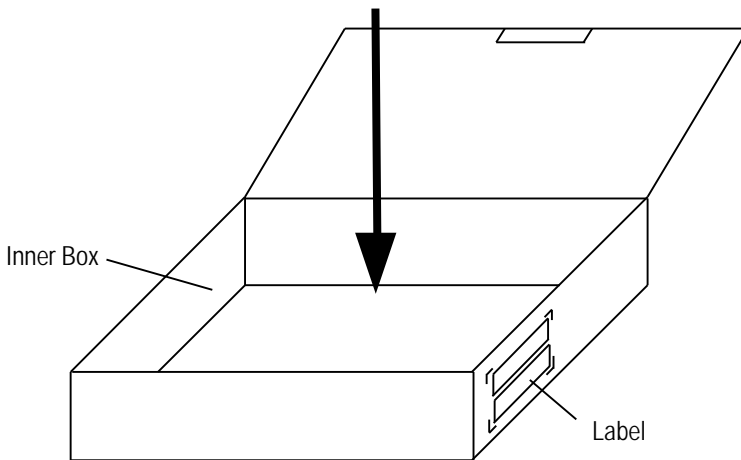
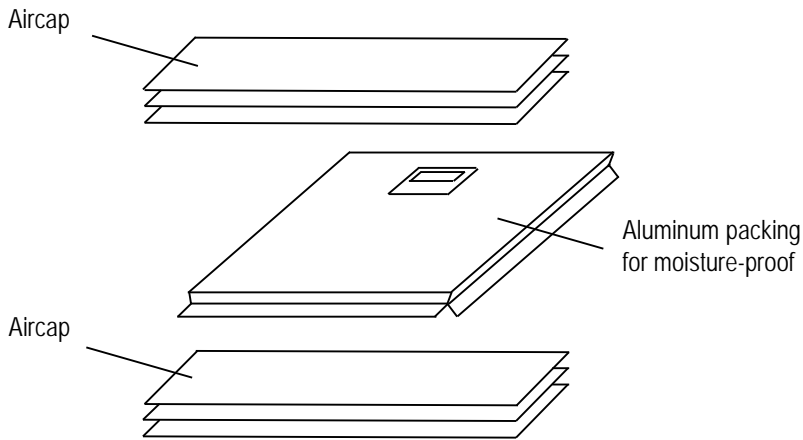


PACKAGING INFORMATION (SURFACE MOUNT, MSL Rating 1)

Packaging form  
Taping Specification



1. The adhesive strength of the protective tape must be within 0.1-1.3N.
2. Each reel contains 100 pcs.
3. Each reel set in moisture-proof packaging.
4. The deficiency per reel is 0 piece.
5. The reel shows customer part number, Murata part number and quantity.
6. The color of reel is not designated.



Remark  
Marking on the box and reel  
1.MURATA Parts Number  
2.Quantity  
3.No./Inspection No.  
4.ROHS -Y

**TECHNICAL NOTES**

**Over Current Protection**

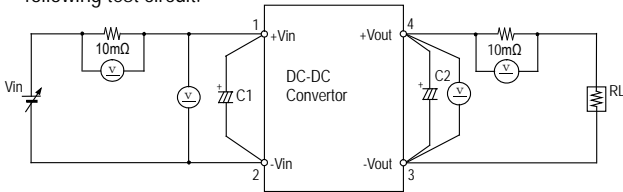
Over Current Protection operates with a controller circuit failure or over-load condition, and DC-DC converter will enter hiccup mode. After rejected the abnormal mode, DC-DC converter will automatically restart.

**External Input Capacitor**

This capacitor minimizes the influence from the wiring to the input or the components like switch for output performance. Please evaluate the board to choose the adequate value.

**Test Circuit**

The initial values in Functional Specification are measured in the following test circuit.

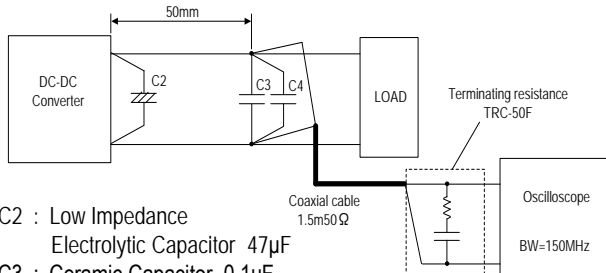


- C1 : Low Impedance Electrolytic Capacitor 100μF
- C2 : Low Impedance Electrolytic Capacitor 33~56μF
- RL : Electronic Load Device : LN-1000A-G7 KEISOKU GIKEN equivalent
- Vin : DC Power Supply :Model HP6675A KEYSIGHT equivalent
- Ⓜ : Digital Multimeter :Model HP34401A KEYSIGHT equivalent

When deviating from the above, DC-DC converter may operate abnormally. It should be fully confirmed on your board before use.

**Ripple Noise Test**

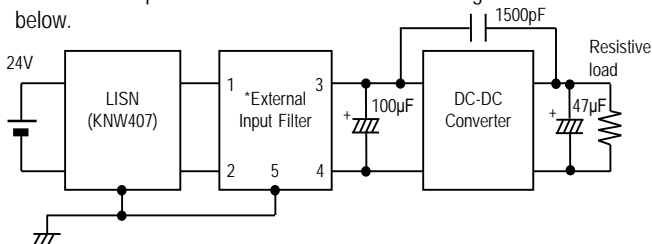
Output ripple noise is measured using designated external output components, circuits and layout as shown below.



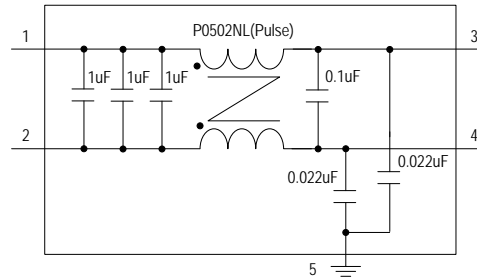
- C2 : Low Impedance Electrolytic Capacitor 47μF
- C3 : Ceramic Capacitor 0.1μF
- C4 : Ceramic Capacitor 10μF

**Conduction Noise**

The external input filter is installed and the circuit diagram is shown below.



**\*External input filter**



**Thermal Derating Condition**

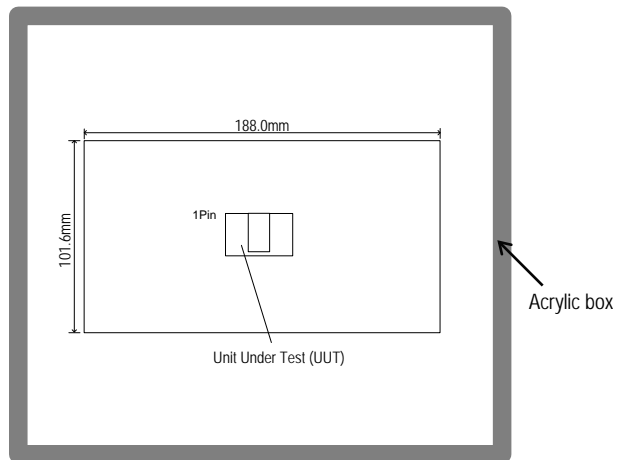
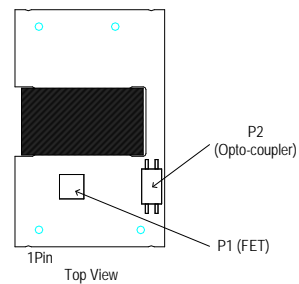
The output current is limited by the derating curve. The derating curve in this datasheet illustrate typical operation under a variety of conditions.

DC-DC Converter is tested on a 101.6x188mm, 2 layers Copper evaluation board at Vin=24V.

The Unit Under Test (UUT) is set up as shown below. UUT is covered by acrylic box to avoid airflow.

The temperature measurement points are shown below table. The temperature of measurement points should not exceed the maximum temperatures in the below table.

Position	Description	Max temperature
P1	FET	T <sub>P1MAX</sub> = 124°C
P2	Opto-coupler	T <sub>P2MAX</sub> = 105°C

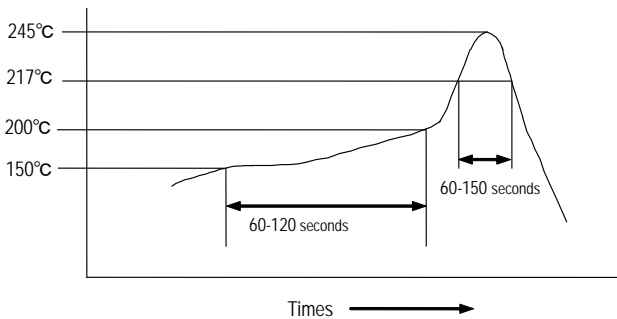


**SMT Reflow Soldering Guidelines**

The surface-mount reflow solder profile is shown below. This graph should be used only as a guideline.

Reflow Soldering Profiles : JEDEC IPC/JEDEC J-STD-020D

Soldering temperature	245°C +0/-5°C
Soldering time	30 seconds, 240°C-245°C
Heating time	60~150 seconds, 217°C min.
Preheat time	60~120 seconds, 150°C-200°C
Programming rate	3°C /sec.max., 217°C-245°C
Descending rate	6°C /sec.max.
Total soldering time	8 minutes max., 25°C-245°C
Time	1time



Do not vibrate for the products on reflow. Please need to take care temperature control because mounted parts may come off if the product is left under the high temperature. Do not mount on backside of the board. Many other factors influence the success of SMT reflow soldering. Since your production environment may differ, please thoroughly review these guidelines with your process engineers.

**Functional Specifications**

Please contact Murata Sales before using this product for the applications listed below. These are applications that require very high reliability of prevention of defects which might directly cause damage to third party's life, body, or property.

1. Aircraft equipment
2. Aerospace equipment
3. Undersea equipment
4. Power plant control equipment
5. Medical equipment
6. Transportation equipment (cars, buses, trucks, trains, ships, etc.)
7. Traffic signal equipment
8. Disaster prevention /crime prevention equipment
9. Data-processing equipment
10. Application of similar complexity and /or reliability listed as above.

**Storage**

Please store this product in an environment where the temperature/humidity is stable in the range 0 to 40° C/10 to 75%RH and no direct sunlight. Use the product within 6 months after delivery.

Please avoid storage conditions where humidity and temperature change rapidly, as that may cause condensation on the product, which might degrade the quality of the product.

Please do not store the product environments that are dusty, in direct exposure to sea breeze, or in an atmosphere containing corrosive gas (Cl2, NH3, SO2, NOX and so on).

**Operational environment and operational conditions**

This product is not chemical-proof or rust-proof.

In order to prevent this product from leakage of electricity and/or abnormal temperature increase, do not use the product under the following circumstances:

- (1) in an atmosphere containing corrosive gas (Cl2, NH3, SO2, NOX and so on).
- (2) in a dusty place.
- (3) in a place exposed to direct sunlight.
- (4) in such a place where water splashes or in such a humid place where water condenses.
- (5) in a place exposed to sea breeze.
- (6) in any other places similar to the above (1)through (5).

**Operational Conditions**

Please use the product within specified values (power supply, temperature, input, output and load condition etc.). Input voltage drops for line impedance, so please make sure that input voltage is within in specified values.

If the product is used over the specified values, it may damage the product, reduce the quality, and even if the products can endure the condition for short time, it may cause degradation of the reliability.

#### Note Prior to use

If you apply high static electricity, voltage higher than rated voltage or reverse voltage to the product, it may cause defects in the products or degrade the reliability.

Please avoid the following items:

1. Over rating power supply, reverse power supply or not-enough connection of input voltage and 0V(DC)line
2. Electrostatic discharge by production line and/or operator
3. Electrified product by electrostatic induction

Do not subject product to excessive mechanical shock. If you drop the product on the floor it might cause a crack to the core of inductors and monolithic ceramic capacitors.

Also please pay attention to handling; the mounted parts can be dislodged if subjected to excessive force.

#### Transportation

If you transport the product, please pack it so that the package will not be damaged by mechanical vibration or mechanical shock, and please educate and guide the carrier to prevent rough handling.

#### Note

1. Please make sure that the product has been evaluated and confirmed against your specifications when it is mounted to your product.
2. All the items and parameters in this product specification have been prescribed on the premise that our product is used for the purpose, under the conditions and in the environment agreed upon between you and us. You are requested not to use our product deviating from such agreement.
3. We consider it not appropriate to include other terms and conditions for transaction warranty in product specifications, drawings or other technical documents. Therefore, if your technical documents as above include such terms and conditions as warranty clause, product liability clause, or intellectual property infringement liability clause, we will not be able to accept such terms and conditions unless they are based on the governmental regulation or they are stated in a separate contract agreement.



This product is subject to the following [operating requirements](#) and the [Life and Safety Critical Application Sales Policy](#):

Refer to: <https://power.murata.com/en/requirements>

Murata Manufacturing Co., Ltd makes no representation that the use of its products in the circuits described herein, or the use of other technical information contained herein, will not infringe upon existing or future patent rights. The descriptions contained herein do not imply the granting of licenses to make, use, or sell equipment constructed in accordance therewith. Spec and cautions are subject to change without notice.

© 2018 Murata Manufacturing Co., Ltd

单击下面可查看定价，库存，交付和生命周期等信息

[>>Murata\(村田\)](#)