

- 900 MHz Frequency Hopping Spread Spectrum Transceivers
- Direct Peer-to-peer Low Latency Communication
- Transmitter Power Configurable to 40 or 158 mW
- 100 kbps RF Data Rate
- Serial Port Data Rate up to 250 kbps, SPI Port Data Rate up to 500 kbps
- 128-Bit AES Encryption
- Separate Serial Port for Diagnostics
- Analog and Digital I/O for Sensor Applications
- FCC and Canadian IC Certified for Unlicensed Operation

The DNT90MC and DNT90MP FHSS transceiver modules provide a low-cost, versatile solution for wireless data communications in the 900 MHz ISM band. Direct peer-to-peer communication provides very low transmission latency between all modules in a network. The DNT90MC/MP RF output power can be set at 40 or 158 mW. The DNT90MC/MP receiver input is protected by a low-loss SAW filter, providing an excellent combination of receiver sensitivity and out-of-band interference rejection. The DNT90M module includes analog, digital and serial I/O, providing the flexibility to serve applications ranging from cable replacements to sensor networks. The DNT90MC/MP transceiver module is easy to integrate and provides reliable wireless communications up to 5 miles in line-of-sight installations.

#### DNT90MC/MP Absolute Maximum Ratings

Rating	Value	Units
Power Supply Input	-0.5 to +6.5	V
All Input/Output Pins	-0.5 to +3.3	V
Input Power to RFIO Port	0	dBm
Non-Operating Ambient Temperature Range	-40 to +85	°C

**DNT90MC  
DNT90MP**

**Low Cost  
900 MHz FHSS  
Transceiver  
Modules with  
I/O**



#### DNT90MC/MP Electrical Characteristics

Characteristic	Sym	Notes	Minimum	Typical	Maximum	Units
RF Communication Topology			Direct Peer-to-Peer			
Spread Spectrum Mode			Frequency Hopping			
Operating Frequency Range			902.76		926.76	MHz
Number of RF Channels		1	26			
Number of Hopping Patterns			64			
Hop Duration		1			400	ms
Modulation			FSK			
RF Data Transmission Rate				100		kbps
Receiver Sensitivity @ 10 <sup>-5</sup> BER				-100		dBm
Transmitter RF Output Power		1	40 or 158 mW			mW
Antenna Impedance				50		Ω
RF Connection			U.FL Coaxial Connector			

## DNT90MC/MP Electrical Characteristics

Characteristic	Sym	Notes	Minimum	Typical	Maximum	Units
ADC Input Range			0		2.7	V
ADC Input Resolution					12	bits
ADC Sample Rate				100		Hz
Signal Source Impedance for ADC Reading					10	KΩ
ADC External Reference Voltage Range			1.0		2.7	V
DAC Output Range			0		3.3	V
DAC Output Resolution					12	bits
Primary and Diagnostic Serial Port Baud Rates			1.2, 2.4, 4.8, 9.6, 14.4, 19.2, 28.8, 38.4, 57.6, 115.2, 230.4, 250.0			kbps
Master Serial Peripheral Interface Data Rate			125	250	500	kbps
Slave Serial Peripheral Interface Data Rate					4000	kbps
Digital I/O:						
Logic Low Input Level			-0.5		0.8	V
Logic High Input Level			2.45		3.3	V
Logic Input Internal Pull-up Resistor				20		KΩ
Power Supply Voltage Range	V <sub>CC</sub>		+3.3		+5.5	Vdc
Power Supply Voltage Ripple					10	mV <sub>P-P</sub>
Peak Transmit Mode Current, 158 mW Output					170	mA
Receive Current				40		mA
Sleep Current		2		3	6	μA
DNT90MC Mounting			Reflow Soldering			
DNT90MP Mounting			Socket			
Operating Temperature Range			-40		85	°C
Operating Relative Humidity Range, Non-condensing			10		90	%

### Notes:

1. The DNT90MC/MP achieves regulatory certification under FHSS rules.
2. Maximum sleep current occurs at +85 °C.



**CAUTION: Electrostatic Sensitive Device. Observe precautions when handling.**

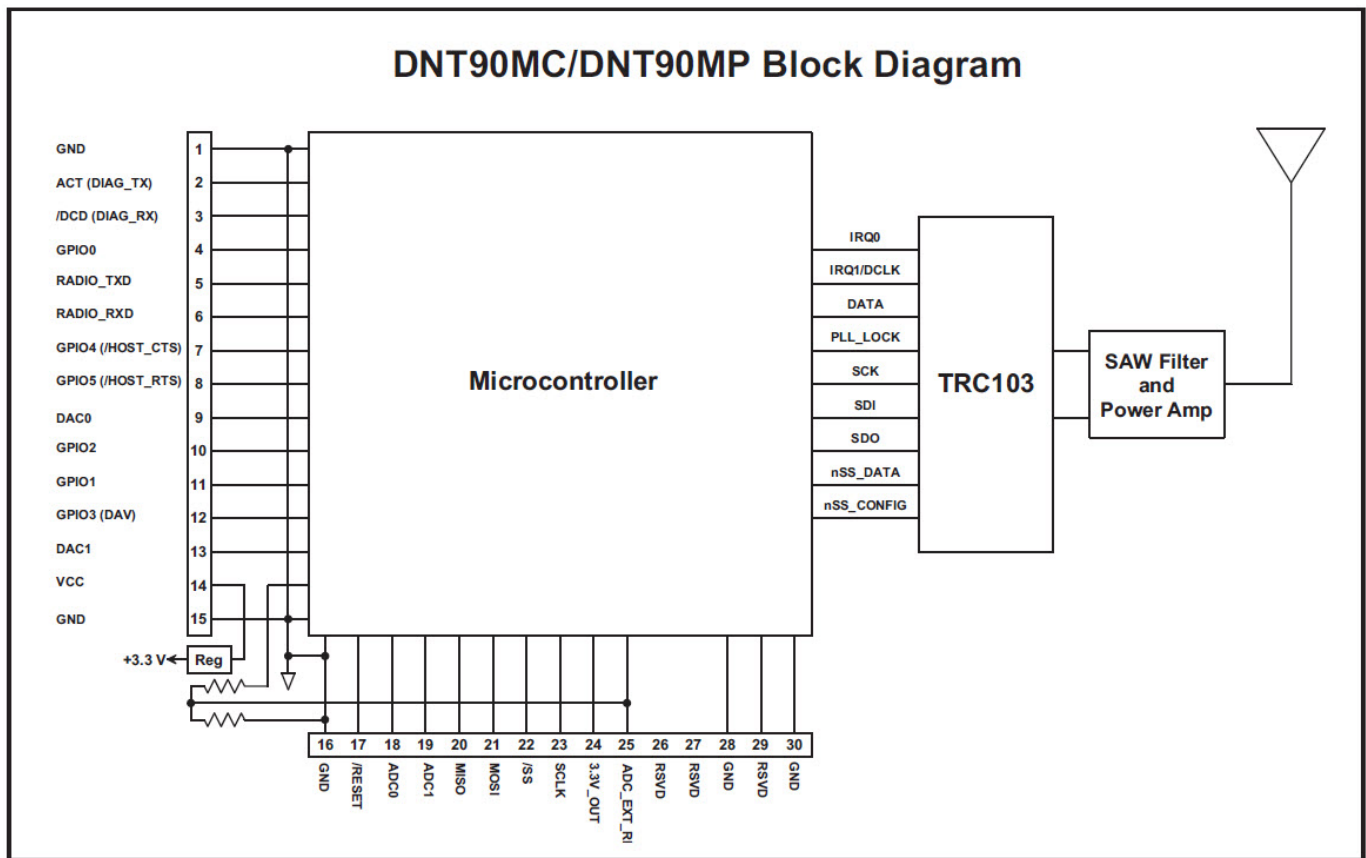


Figure 1

### DNT90MC/MP Hardware

The major components of the DNT90MC/MP modules include a Murata TRC103 900 MHz FHSS transceiver and a low current 8-bit microcontroller. The DNT90MC/MP operates in the 902 to 928 MHz ISM band. The DNT90MC/MP hops across 26 frequency channels on one of 64 selectable hopping patterns. The DNT90MC/MP also has two selectable RF output power levels: +16 dBm (40 mW) and +22 dBm (158 mW).

The DNT90MC/MP receiver is protected by a low-loss SAW filter, providing an excellent blend of receiver sensitivity and out-of-band interference rejection that is especially important in outdoor applications.

The DNT90MC/MP provides a variety of hardware interfaces. There are two serial ports plus one SPI port. Either the primary serial port or the SPI port can be selected for data communications. The second serial port is dedicated to diagnostics. The primary and diagnostic serial ports support most standard baud rates up to 250 kbps. The SPI port supports data rates up to 500 kbps. The DNT90MC/MP also includes three ADC inputs, two DAC outputs, and six general-purpose digital I/O ports. Four of the digital I/O ports support an optional interrupt-from-sleep mode

when configured as inputs. The radio is available in two mounting configurations. The DNT90MC is designed for solder reflow mounting. The DNT90MP is designed for plug-in connector mounting.

### DNT90MC/MP Firmware

DNT90MC/MP firmware implements *direct peer-to-peer* data transmissions that provide very low transmission latency between all DNT90MC/MP radios in a network. In addition, efficient point-to-point and point-to-multipoint networks are readily configured using direct peer-to-peer transmissions.

DNT90MC/MP firmware provides the user with a rich set of configuration options including a choice of hopping patterns, serial and/or SPI data port operation, serial and SPI data rate selection, RF output power selection, plus configurable analog and digital I/O lines. Data integrity is protected by 24-bit error detection, with optional ACK and automatic transmission retries or redundant transmissions. 128-bit AES encryption provides a high level of data security for sensitive applications. Sensor networks can take advantage of timer or event-based data reporting and remote node sleep cycling for extended battery life.

## DNT90MC/MP I/O Descriptions

Pin	Name	I/O	Description
1	GND	-	Power supply and signal ground. Connect to the host circuit board ground.
2	ACT (DIAG_TX)	O (O)	This pin's default configuration is transmitter activity (ACT) output. The ACT signal is asserted whenever any data packet other than just an ACK is transmitted. The alternate function for this pin is the diagnostic serial port output.
3	/DCD (DIAG_RX)	O (I)	The /DCD signal is asserted when a DNT90MC/MP receives a valid packet. If a radio is transmitting data and receiving ACKs, both the ACT and /DCD signals will be asserted. If a radio is receiving packets only, the /DCD signal will be asserted. The alternate function for this pin is the diagnostic serial port input.
4	GPIO0	I/O	Configurable digital I/O port 0. When configured as an input, an internal pull-up resistor can be selected and direct interrupt from sleep can be invoked. When configured as an output, the power-on state is configurable. In sleep mode the pin direction, input pull-up selection or output state are also separately configurable.
5	RADIO_TXD	O	Serial data output from the radio.
6	RADIO_RXD	I	Serial data input to the radio.
7	GPOI4 (/HOST_CTS)	I/O (O)	Default pin function is GPIO4 with the same configuration options as GPIO2. Alternate pin function is UART/SPI flow control output. The module sets this line low when it is ready to accept data from the host on the RADIO_RXD or MOSI input. When the line goes high, the host must stop sending data.
8	GPOI5 (/HOST_RTS)	I/O (I)	Default pin function is GPIO5 with the same configuration options as GPIO2. Alternate pin function is UART/SPI flow control input. The host sets this line low to allow data to flow from the module on the RADIO_TXD pin. When the host sets this line high, the module will stop sending data to the host.
9	DAC0	O	12-bit DAC 0 output. Full scale output can be referenced to the voltage at pin 25 or the 3.3 V regulated module bus voltage.
10	GPIO2	I/O	Configurable digital I/O port 2. Same configuration options as GPIO0.
11	GPIO1	I/O	Configurable digital I/O port 1. Same configuration options as GPIO0.
12	GPIO3 (DAV)	I/O (O)	Default pin function is GPIO3 with the same configuration options as GPIO0. When SPI slave mode operation is enabled, a logic high on this pin indicates when data is available to be clocked out by the SPI master.
13	DAC1	O	12-bit DAC 1 output. Same specifications and configuration options as DAC0.
14	VCC	I	Power supply input, +3.3 to +5.5 Vdc.
15	GND	-	Power supply and signal ground. Connect to the host circuit board ground.
16	GND	-	Power supply and signal ground. Connect to the host circuit board ground.
17	/RESET	I	Active low module hardware reset.
18	ADC0	I	ADC input 0. This pin is a direct ADC input when the ADC is operating in single-ended mode, or the differential negative input for positive inputs applied to ADC1 or ADC2 when the ADC is operating in differential mode. Full-scale reading can be referenced to Pin 25 for ratiometric measurements. For absolute measurements, the ADC can use the regulated supply voltage divided by 1.6 (about 2.06 V), or an external voltage applied to Pin 25. In single-ended mode, ADC measurements are 11-bit unsigned values with full scale nominally 2.7 V when referenced to a 2.7 V input on Pin 27. In differential mode, ADC measurements are 12-bit signed values.
19	ADC1	I	ADC input 1. Direct input when the ADC is operating in single-ended mode, positive differential input relative to ADC0 when the ADC is operating in differential mode.
20	MISO	I/O	This pin is the SPI master mode input or slave mode output.
21	MOSI	I/O	This pin is the SPI master mode output or slave mode input.
22	/SS	I/O	SPI active low slave select. This pin is an output when the module is operating as a master, and an input when it is operating as a slave.
23	SCLK	I/O	SPI clock signal. This pin is an output when operating as a master, and an input when operating as a slave.

Pin	Name	I/O	Description
24	ADC2	I	ADC input 2. Direct input when the ADC is operating in single-ended mode, positive differential input relative to ADC0 when the ADC is operating in differential mode.
25	ADC_EXT_REF	I/O	ADC external reference voltage pin. The voltage at this pin can be used by the ADCs as a reference for ratiometric measurements. With no external voltage or load applied, this pin presents a nominal 2.7 V output through a 2.126 K source resistance. A low impedance external reference voltage in the range of 1 to 2.7 V may be applied to this pin as an option.
26	RSVD	-	Reserved pin. Leave unconnected.
27	RSVD	-	Reserved pin. Leave unconnected.
28	GND	-	Connect to the host circuit board ground plane.
29	RSVD	-	Reserved pin. Leave unconnected.
30	GND	-	Connect to the host circuit board ground plane.

### DNT90MC/MP Antenna Connector

A U.FL miniature coaxial connector is provided on both DNT90M configurations for connection to the RFIO port. A short U.FL coaxial cable can be used to connect the RFIO port directly to an antenna. In this case the antenna should be mounted firmly to avoid stressing the U.FL coaxial cable due to antenna mounting flexure. Alternately, a U.FL coaxial jumper cable can be used to connect the DNT90MC/MP module to a U.FL connector on the host circuit board. The connection between the host circuit board U.FL connector and the antenna or antenna connector on the host circuit board should be implemented as a 50 ohm stripline. Referring to Figure 2, the width of this stripline depends on the thickness of the circuit board between the stripline and the groundplane. For FR-4 type circuit board materials (dielectric constant of 4.7), the width of the stripline is equal to 1.75 times the thickness of the circuit board. Note that other circuit board traces should be spaced away from the stripline to prevent signal coupling, as shown in Figure 3. The stripline trace should be kept short to minimize its insertion loss.

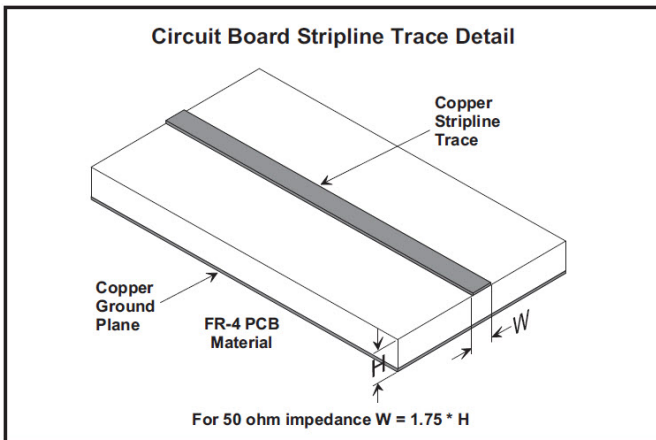


Figure 2

Trace Separation from 50 ohm Microstrip	Length of Trace Run Parallel to Microstrip
100 mil	125 mil
150 mil	200 mil
200 mil	290 mil
250 mil	450 mil
300 mil	650 mil

Figure 3

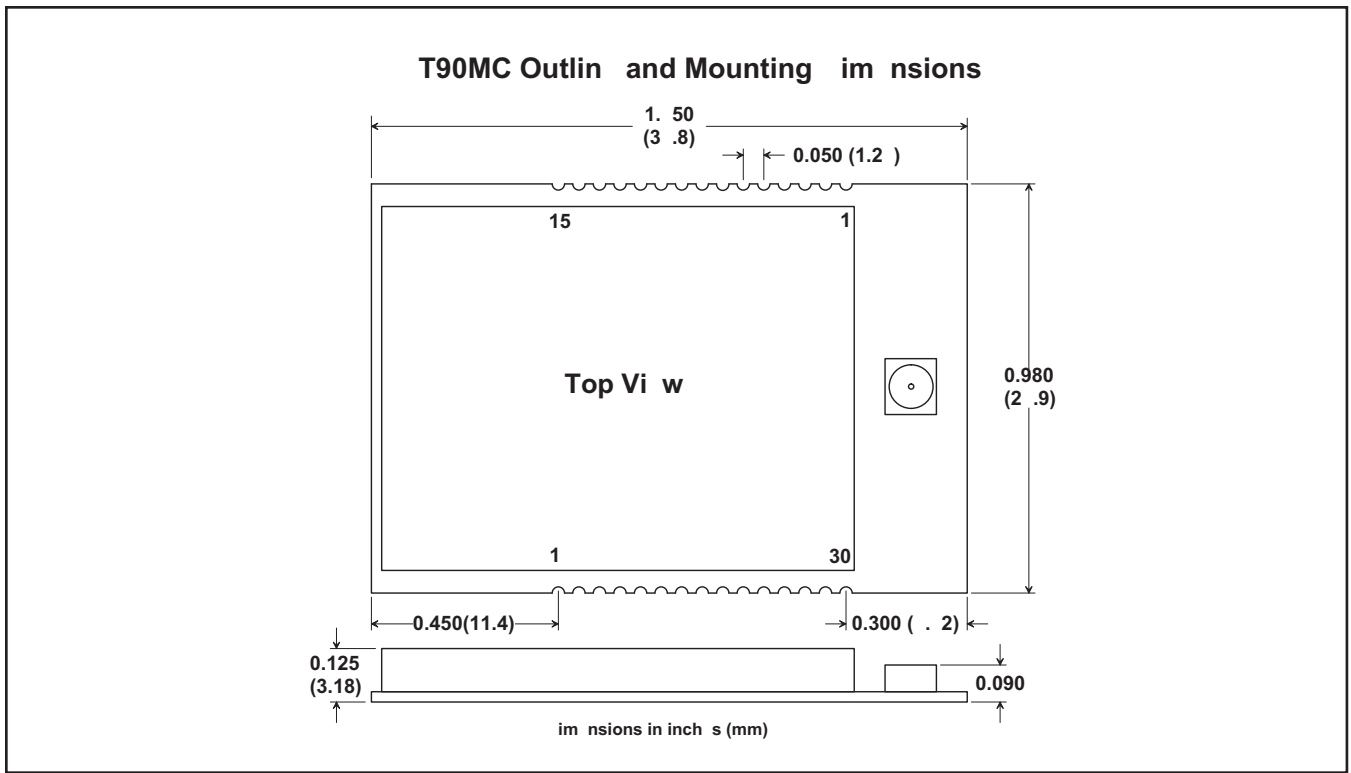


Figure 4

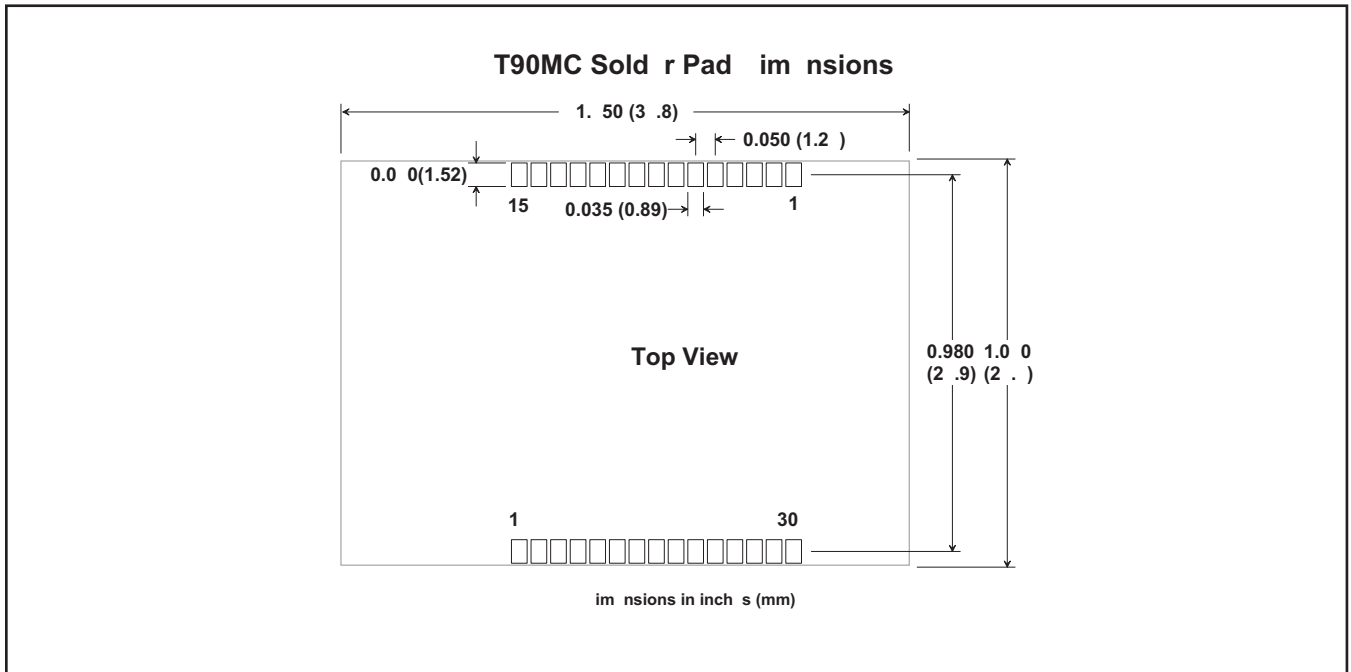
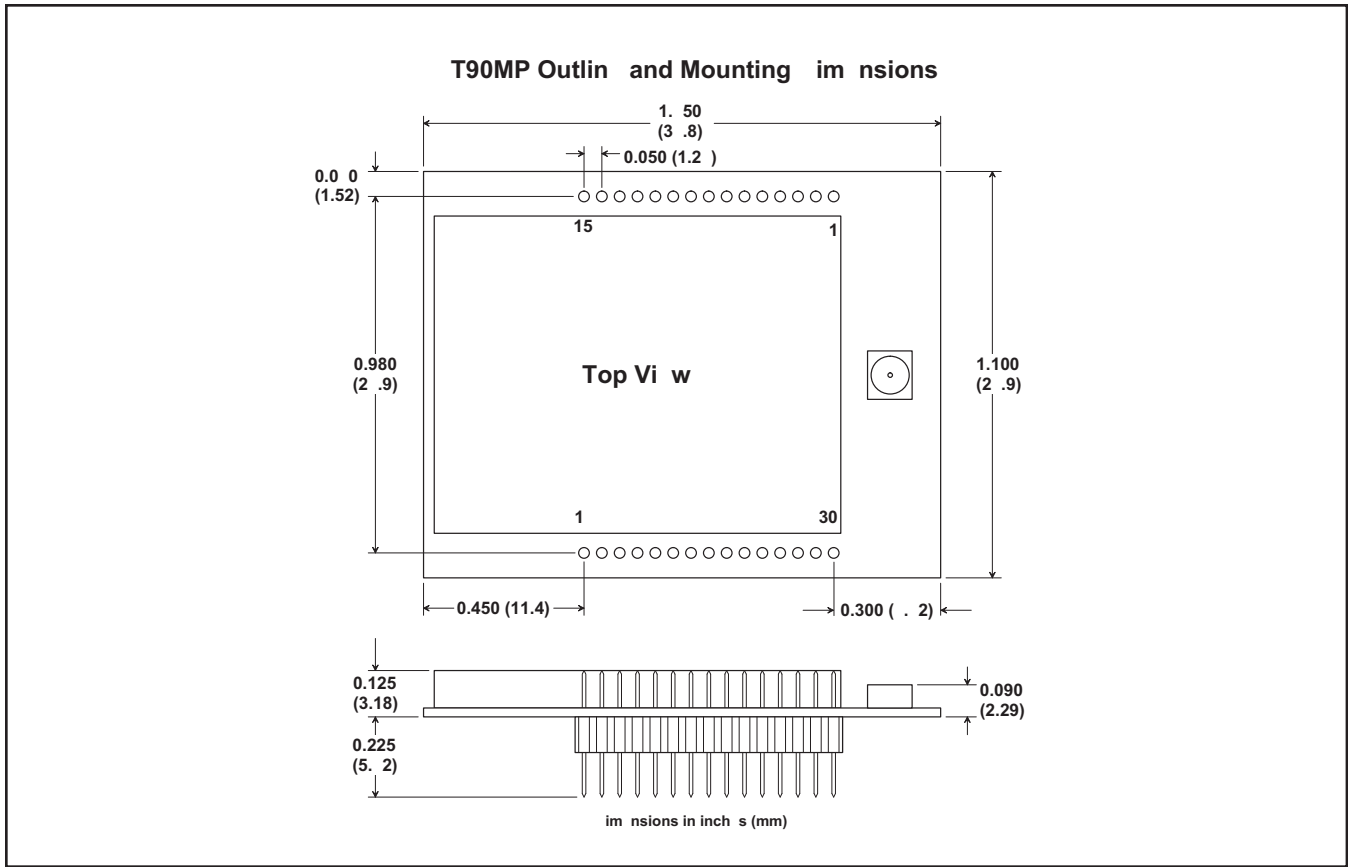
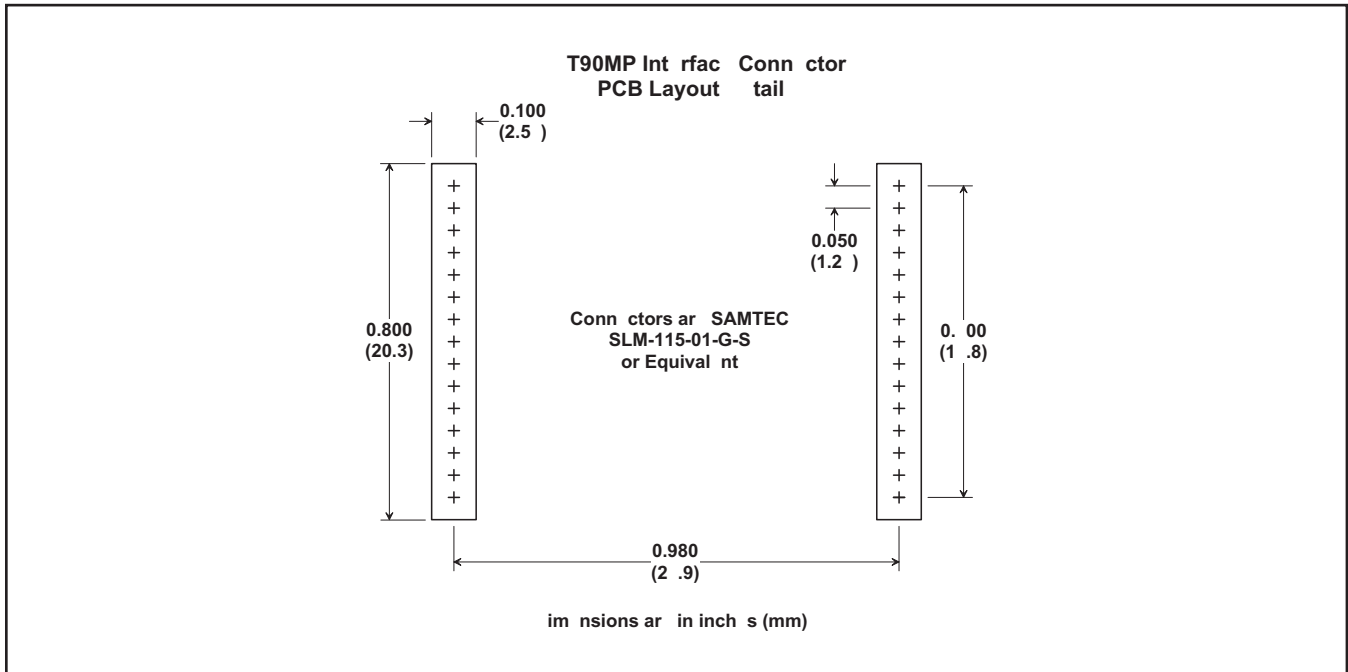


Figure 5



**Figure 6**



**Figure 7**

Note: Specifications subject to change without notice.

Part # M-0090-0000M, Rev A

单击下面可查看定价，库存，交付和生命周期等信息

[>>Murata\(村田\)](#)