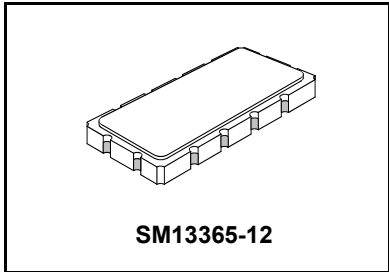


PX1004

**82.2 MHz
SAW Filter**



- *Designed for TDMA IS-54 / CDPD IF Applications*
- *Low Insertion Loss*
- *Excellent Selectivity*
- *Hermetic 13.3 X 6.5 mm Surface-Mount Case*
- *Unbalanced Input and Output*
- *Complies with Directive 2002/95/EC (RoHS)*



Absolute Maximum Ratings

Rating	Value	Units
Maximum Incident Power in Passband	+10	dBm
Max. DC voltage between any 2 terminals	30	VDC
Storage Temperature Range	-40 to +85	°C
Suitable for lead-free soldering - Max Soldering Profile	260°C for 30 s	

Electrical Characteristics

Characteristic	Sym	Notes	Min	Typ	Max	Units	
Nominal Center Frequency	f_C	1	82.200			MHz	
Passband	Insertion Loss at fc	1, 2		3	4.0	dB	
	3 dB Passband		BW_3	± 15	± 25		kHz
	Amplitude Ripple over fc ± 15 kHz				2.5	6.0	dB _{P-P}
Group Delay Variation over fc ± 10 kHz	GDV					μs_{P-P}	
Third-Order Intermod. for -20 dBm tones at fc ± 60 & 120 kHz					-95	dBm	
Rejection	fc ± 60 kHz	1, 2, 3	10	16		dB	
	fc -880 kHz to fc -940 kHz		65	68			
	Ultimate			65			
Operating Temperature Range	T_A	1	-20		+70	°C	

Impedance Matching to 50 Ω unbalanced	External L-C
Case Style	SM13365-12 13.3 X 6.5 mm Nominal Footprint
Lid Symbolization (YY=year, WW=week) See note 4	RFM PX1004 YYWW

Electrical Connections

Connection	Terminals
Port 1 Hot	2
Port 1 Gnd Return	3
Port 2 Hot	8
Port 2 Gnd Return	9
Case Ground	All Others



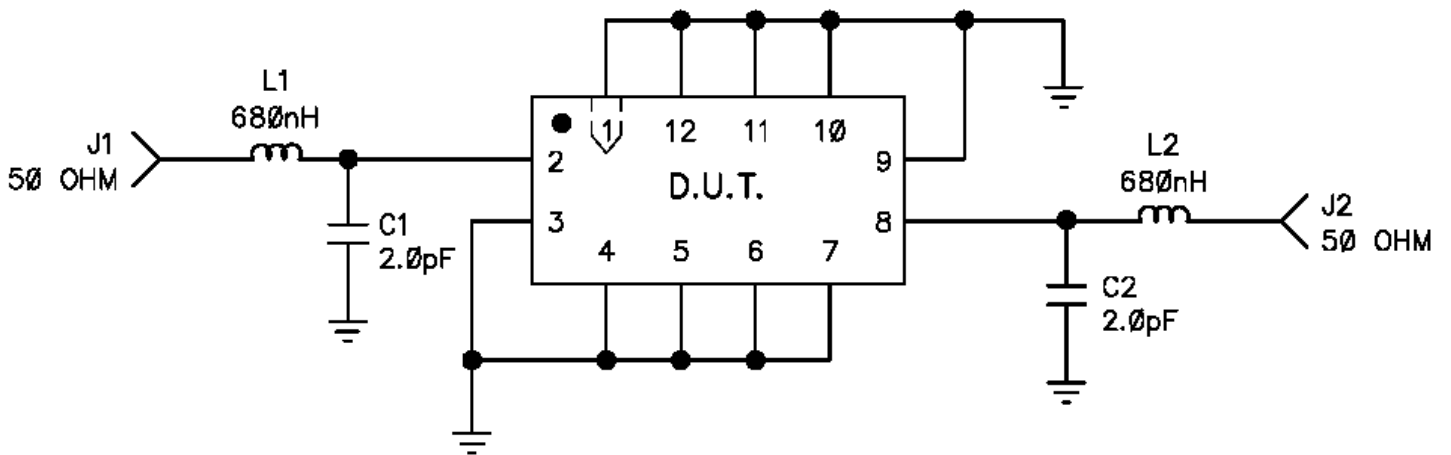
Caution: Electrostatic Sensitive Device. Observe precautions for handling.

NOTES:

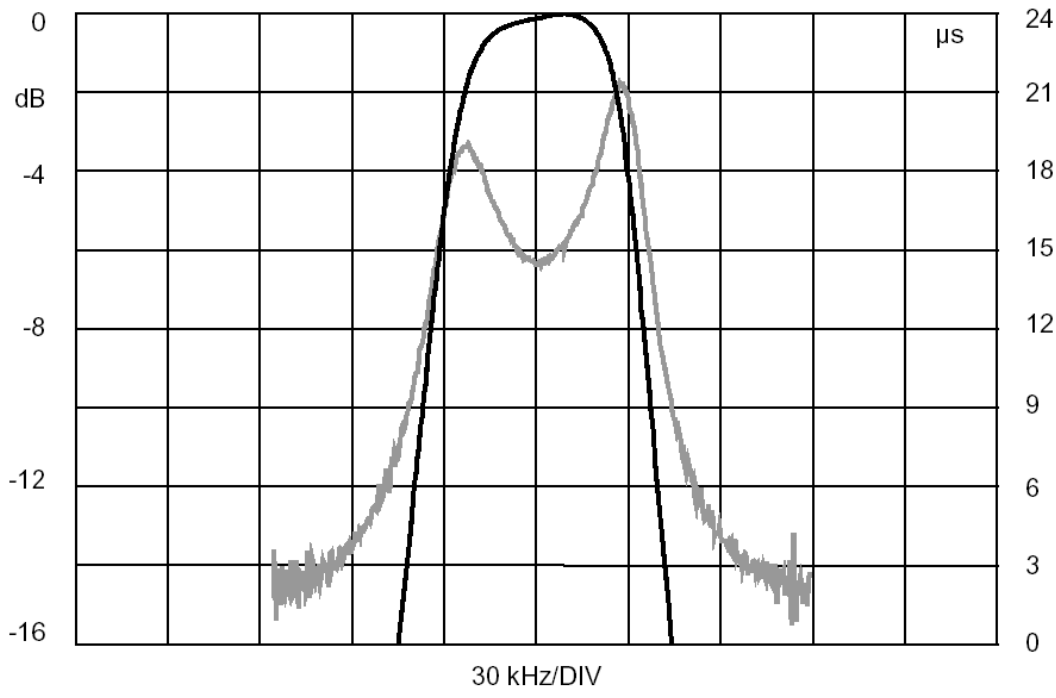
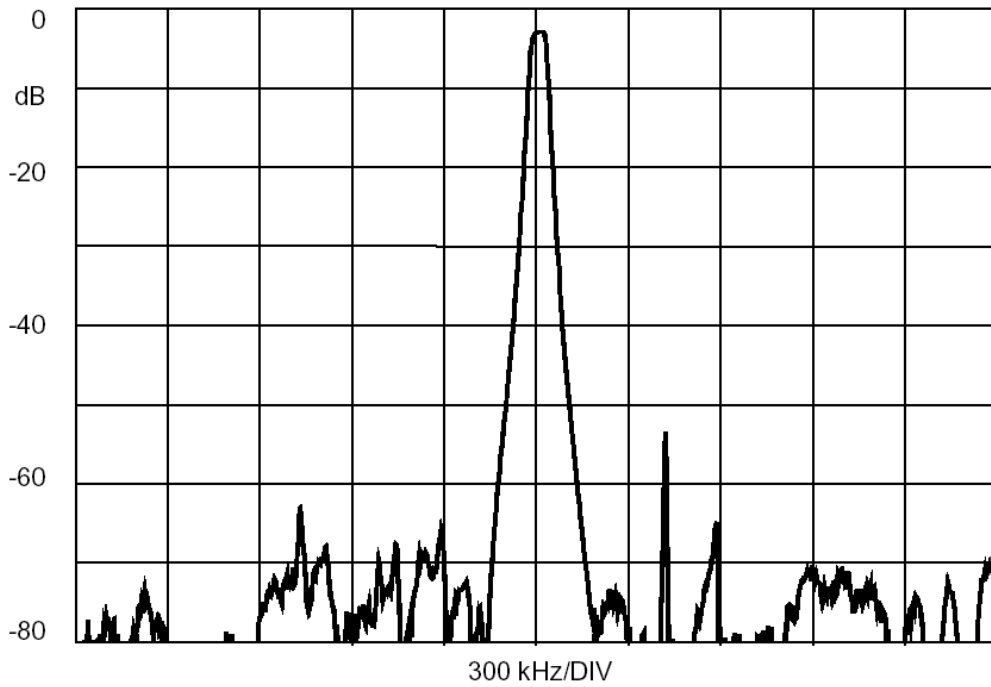
- Unless noted otherwise, all specifications apply over the operating temperature range with filter soldered to the specified demonstration board with impedance matching to 50 Ω and measured with 50 Ω network analyzer.
- Unless noted otherwise, all frequency specifications are referenced to the nominal center frequency, fc.
- Rejection is measured as attenuation below the minimum IL point in the passband. Rejection in final user application is dependent on PCB layout and external impedance matching design. See Application Note No. 42 for details.
- "LRIP" or "L" after the part number indicates "low rate initial production" and "ENG" or "E" indicates "engineering prototypes."
- The design, manufacturing process, and specifications of this filter are subject to change.
- Either Port 1 or Port 2 may be used for either input or output in the design. However, impedances and impedance matching may vary between Port 1 and Port 2, so that the filter must always be installed in one direction per the circuit design.
- US and international patents may apply.
- Murata, stylized Murata logo, and Murata N.A., Inc. are registered trademarks of Murata Manufacturing Co., Ltd.

Discontinued

SCHEMATIC, PX1004 (DEMO)

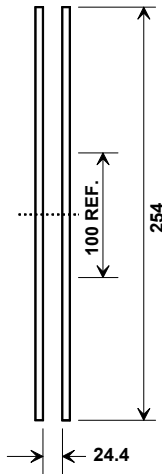
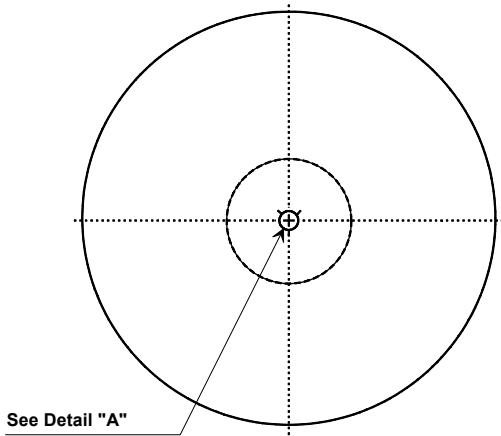


Discontinued

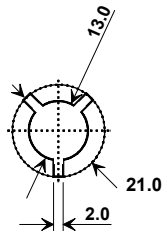


Discontinued

Tape and Reel Specifications

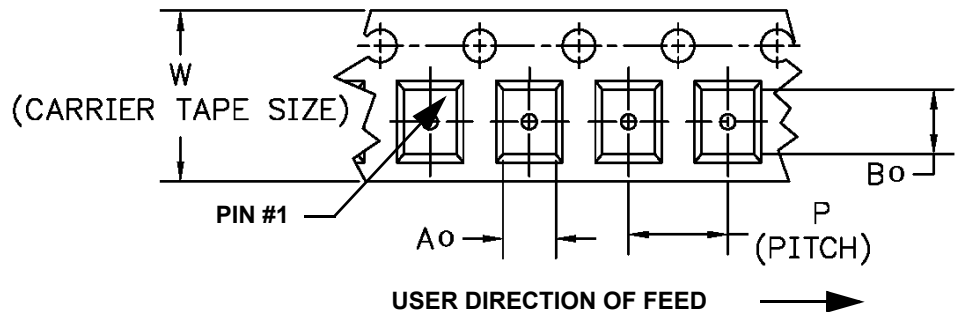
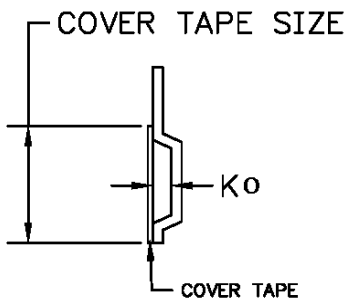


Quantity Per Reel	
100 Min	
1000 Max	



COMPONENT ORIENTATION and DIMENSIONS

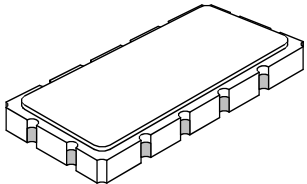
Carrier Tape Dimensions	
Ao	7.0 mm
Bo	13.8 mm
Ko	2.0 mm
Pitch	12.0 mm
W	24.0 mm



Discontinued

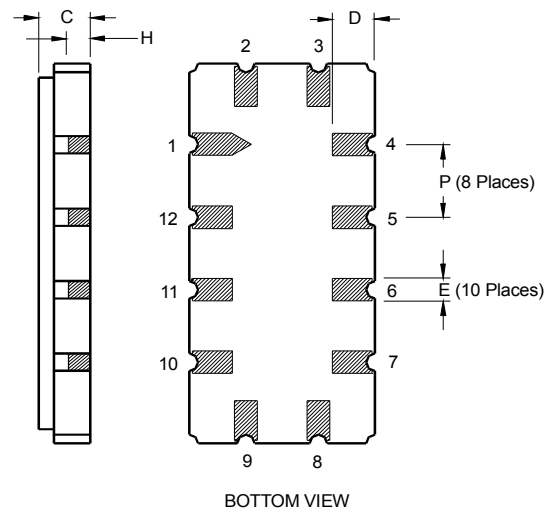
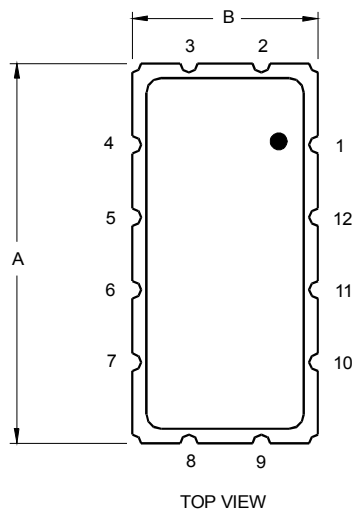
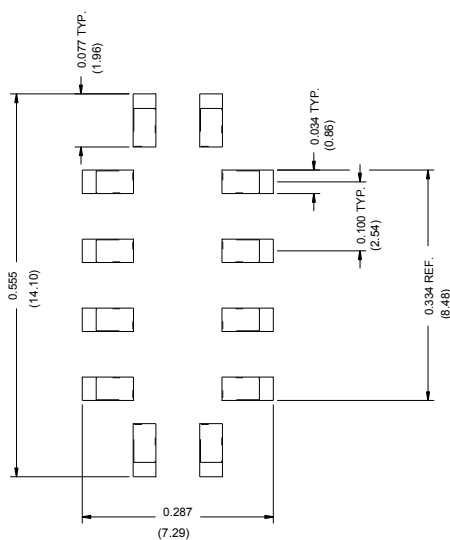
SM13365-12 Case

12-Terminal Ceramic Surface-Mount Case 13.3 x 6.5 mm Nominal Footprint



Case Dimensions						
Dimension	mm			Inches		
	Min	Nom	Max	Min	Nom	Max
A	13.08	13.31	13.60	0.515	0.524	0.535
B	6.27	6.50	6.80	0.247	0.256	0.268
C		1.91	2.00		0.075	0.079
D		1.50			0.059	
E		0.79			0.031	
H		1.0			0.039	
P		2.54			0.100	

Materials	
Solder Pad Termination	Au plating 30 - 60 ulnches (76.2-152 uM) over 80-200 ulnches (203-508 uM) Ni.
Lid	Fe-Ni-Co Alloy Electroless Nickel Plate (8-11% Phosphorus) 100-200 ulnches Thick
Body	Al ₂ O ₃ Ceramic
Pb Free	



单击下面可查看定价，库存，交付和生命周期等信息

[>>Murata\(村田\)](#)