

- Ideal for 303.825 MHz Remote Control and Security Transmitters
- Very Low Series Resistance
- Quartz Stability
- Surface-mount Ceramic Case
- Complies with Directive 2002/95/EC (RoHS)



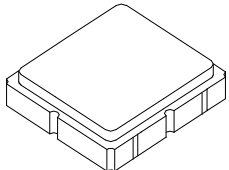
The RO3104D is a true one-port, surface-acoustic-wave (SAW) resonator in a surface-mount ceramic case. It provides reliable, fundamental-mode, quartz frequency stabilization of fixed-frequency transmitters operating at 303.825 MHz. This SAW is designed specifically for AM transmitters used in remote control and wireless security applications.

Absolute Maximum Ratings

Rating	Value	Units
CW RF Power Dissipation (See Typical Test Circuit)	0	dBm
DC Voltage Between Terminals (Observe ESD Precautions)	12	VDC
Case Temperature	-40 to +85	°C
Soldering Temperature (10 seconds / 5 cycles maximum)	260	°C

RO3104D

**303.825 MHz
SAW
Resonator**



**SM3838-6 Case
3.8 X 3.8**

Electrical Characteristics

Characteristic		Sym	Notes	Minimum	Typical	Maximum	Units				
Frequency, +25 °C	Nominal Frequency	f_C	2, 3, 4, 5	303.750		303.900	MHz				
	Tolerance from 303.825 MHz	Δf_C							±75	kHz	
Insertion Loss		IL	2, 5, 6		1.4	2.0	dB				
Quality Factor	Unloaded Q	Q_U	5, 6, 7		9500						
	50 Ω Loaded Q	Q_L							1400		
Temperature Stability	Turnover Temperature	T_O	6, 7, 8	10	25	40	°C				
	Turnover Frequency	f_O							f_C		
	Frequency Temperature Coefficient	FTC							0.032		ppm/°C ²
Frequency Aging	Absolute Value during the First Year	$ f_A $	1, 6		10		ppm/yr				
DC Insulation Resistance between Any Two Terminals			5	1.0			MΩ				
RF Equivalent RLC Model	Motional Resistance	R_M	5, 6, 7, 9		16.7		Ω				
	Motional Inductance	L_M							82.8		μH
	Motional Capacitance	C_M							3.3		fF
		Transducer Static Capacitance	C_O	5, 6, 9		3.4		pF			
Test Fixture Shunt Inductance		L_{TEST}	2, 7		80.4		nH				
Lid Symbolization					689 // YWWS						
Standard Reel Quantity	Reel Size 7 Inch		10	500 Pieces/Reel							
	Reel Size 13 Inch			3000 Pieces/Reel							

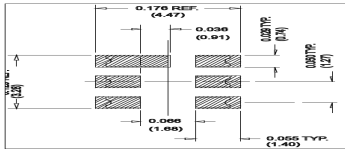
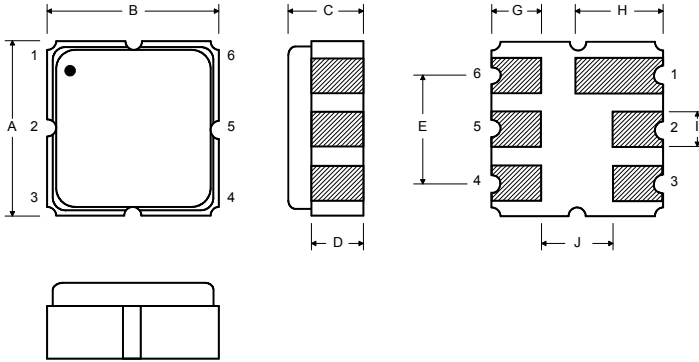
CAUTION: Electrostatic Sensitive Device. Observe precautions for handling.

- NOTES:**
- Frequency aging is the change in f_C with time and is specified at +65 °C or less. Aging may exceed the specification for prolonged temperatures above +65 °C. Typically, aging is greatest the first year after manufacture, decreasing in subsequent years.
 - The center frequency, f_C , is measured at the minimum insertion loss point, IL_{MIN} , with the resonator in the 50 Ω test system (VSWR ≤ 1.2:1). The shunt inductance, L_{TEST} , is tuned for parallel resonance with C_O at f_C . Typically, $f_{OSCILLATOR}$ or $f_{TRANSMITTER}$ is approximately equal to the resonator f_C .
 - One or more of the following United States patents apply: 4,454,488 and 4,616,197.
 - Typically, equipment utilizing this device requires emissions testing and government approval, which is the responsibility of the equipment manufacturer.
 - Unless noted otherwise, case temperature $T_C = +25 \pm 2$ °C.
 - The design, manufacturing process, and specifications of this device are subject to change.
 - Derived mathematically from one or more of the following directly measured parameters: f_C , IL, 3 dB bandwidth, f_C versus T_C , and C_O .
 - Turnover temperature, T_O , is the temperature of maximum (or turnover) frequency, f_O . The nominal frequency at any case temperature, T_C , may be calculated from: $f = f_O [1 - FTC (T_O - T_C)^2]$. Typically *oscillator* T_O is approximately equal to the specified *resonator* T_O .
 - This equivalent RLC model approximates resonator performance near the resonant frequency and is provided for reference only. The capacitance C_O is the static (nonmotional) capacitance between the two terminals measured at low frequency (10 MHz) with a capacitance meter. The measurement includes parasitic capacitance with "NC" pads unconnected. Case parasitic capacitance is approximately 0.05 pF. Transducer parallel capacitance can be calculated as: $C_P \approx C_O - 0.05$ pF.
 - Tape and Reel Standard Per ANSI / EIA 481.

Electrical Connections

The SAW resonator is bidirectional and may be installed with either orientation. The two terminals are interchangeable and unnumbered. The callout NC indicates no internal connection. The NC pads assist with mechanical positioning and stability. External grounding of the NC pads is recommended to help reduce parasitic capacitance in the circuit.

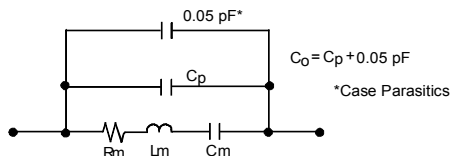
Pin	Connection
1	NC
2	Terminal
3	NC
4	NC
5	NC
6	Terminal
7	NC
8	NC



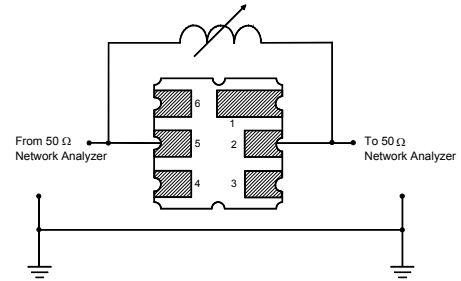
Case Dimensions

Dimension	mm			Inches		
	Min	Nom	Max	Min	Nom	Max
A	3.60	3.80	4.00	0.142	0.150	0.157
B	3.60	3.80	4.00	0.142	0.150	0.157
C	1.10	1.30	1.50	0.043	0.050	0.060
D	0.95	1.10	1.25	0.037	0.043	0.049
E	2.39	2.54	2.69	0.094	0.100	0.106
G	0.90	1.00	1.10	0.035	0.040	0.043
H	1.90	2.00	2.10	0.748	0.079	0.083
I	0.50	0.60	0.70	0.020	0.024	0.028
J	1.70	1.80	1.90	0.067	0.071	0.075

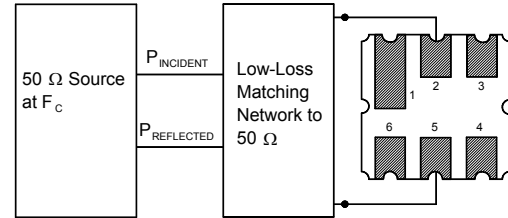
Equivalent RLC Model



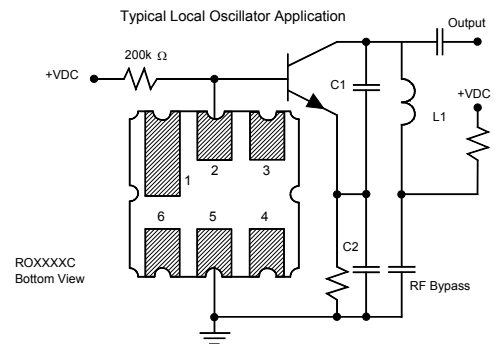
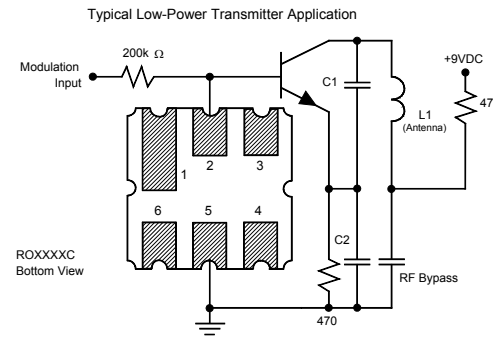
Parameter Test Circuit



Power Test Circuit

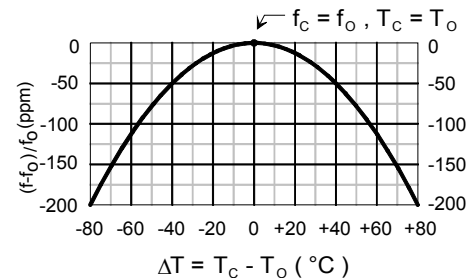


Example Application Circuits



Temperature Characteristics

The curve shown on the right accounts for resonator contribution only and does not include LC component temperature contributions.



单击下面可查看定价，库存，交付和生命周期等信息

[>>Murata\(村田\)](#)