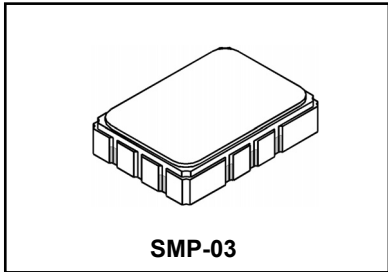


**SF1140B-2**

**75.00 MHz  
SAW Filter**



- **Designed for SDARS IF Receiver**
- **Low Insertion Loss**
- **5.0 X 7.0 mm Surface-Mount Case**
- **Differential Input and Output**
- **Complies with Directive 2002/95/EC (RoHS)**



**Absolute Maximum Ratings**

Rating	Value	Units
Maximum Incident Power in Passband	+10	dBm
Max. DC voltage between any 2 terminals	30	VDC
Storage Temperature Range	-40 to +105	°C
Max Soldering Profile	265°C for 10 s	

**Electrical Characteristics**

Characteristic	Sym	Notes	Min	Typ	Max	Units
Nominal Center Frequency	$f_c$	1	75.000			MHz
Passband	Insertion Loss at $f_c$	IL		11.0	13.0	dB
			1dB Passband	$BW_1$	$\pm 2.1$	$\pm 2.7$
	Fast Amplitude Ripple over $f_c \pm 2.1$ MHz	1, 2			1.0	dB <sub>P-P</sub>
	Group Delay Variation over $f_c \pm 2.1$ MHz		GDV		40	200
Rejection	$f_c - 15$ to $f_c - 7.15$ and $f_c + 15$ to $f_c + 65$ MHz $f_c + 7.15$ to $f_c + 15$ MHz	1, 2, 3	40	43		dB
			36			
Operating Temperature Range	$T_A$	1	-40		+105	°C
Differential Input and Output Impedance	250 ohms					
Case Style	SMP-03 7 x 5 mm Nominal Footprint					
Lid Symbolization (YY=year, WW=week, S=shift) See note 4	RFM SF1140B-2 YYWWS					

**Electrical Connections**

Connection	Terminals
Port 1 Hot	10
Port 1 Ground Return	1
Port 2 Hot	5
Port 2 Ground Return	6
Case Ground	All Others

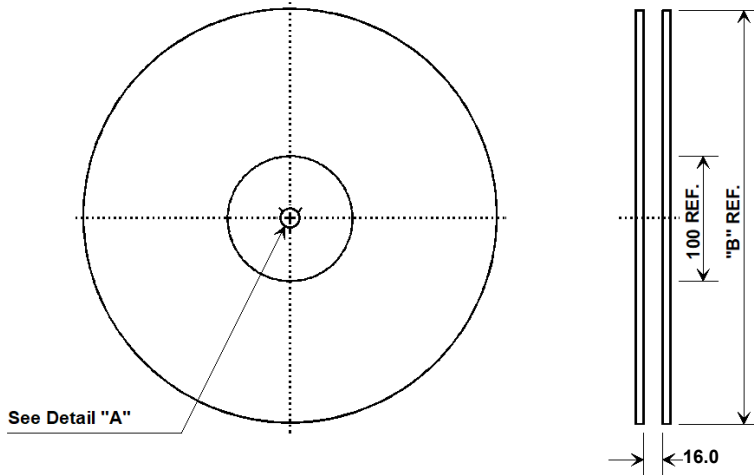


**CAUTION: Electrostatic Sensitive Device. Observe precautions for handling.**

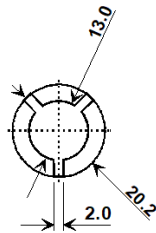
**NOTES:**

1. Unless noted otherwise, all specifications apply over the operating temperature range with filter soldered to the specified demonstration board with impedance matching to 50 Ω and measured with 50 Ω network analyzer.
2. Unless noted otherwise, all frequency specifications are referenced to the nominal center frequency,  $f_c$ .
3. Rejection is measured as attenuation below the minimum IL point in the passband. Rejection in final user application is dependent on PCB layout and external impedance matching design. See Application Note No. 42 for details.
4. "LRIP" or "L" after the part number indicates "low rate initial production" and "ENG" or "E" indicates "engineering prototypes."
5. The design, manufacturing process, and specifications of this filter are subject to change.
6. Tape and Reel Standard ANSI / EIA 481.
7. Either Port 1 or Port 2 may be used for either input or output in the design. However, impedances and impedance matching may vary between Port 1 and Port 2, so that the filter must always be installed in one direction per the circuit design.
8. US and international patents may apply.
9. Murata, stylized Murata logo, and Murata N.A., Inc. are registered trademarks of Murata Manufacturing Co., Ltd.

## Tape and Reel Specifications

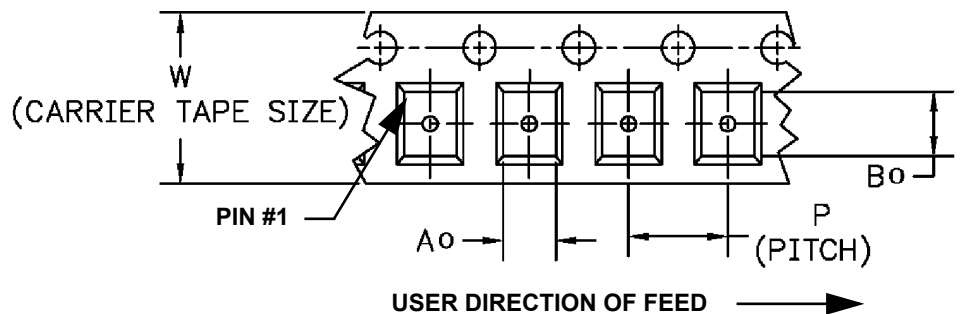
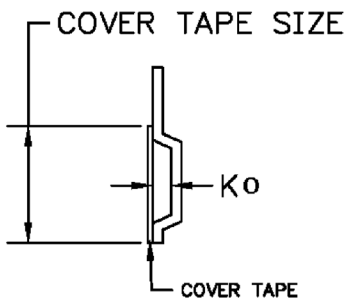


"B "		Quantity Per Reel
Nominal Size		
Inches	millimeters	
7	178	500
13	330	2000



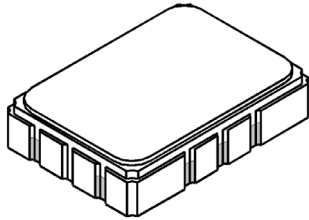
### COMPONENT ORIENTATION and DIMENSIONS

Carrier Tape Dimensions	
<b>Ao</b>	5.5 mm
<b>Bo</b>	7.5 mm
<b>Ko</b>	2.0 mm
<b>Pitch</b>	8.0 mm
<b>W</b>	16.0 mm



# 10-Terminal Ceramic Surface-Mount Case

## 7 x 5 mm Nominal Footprint

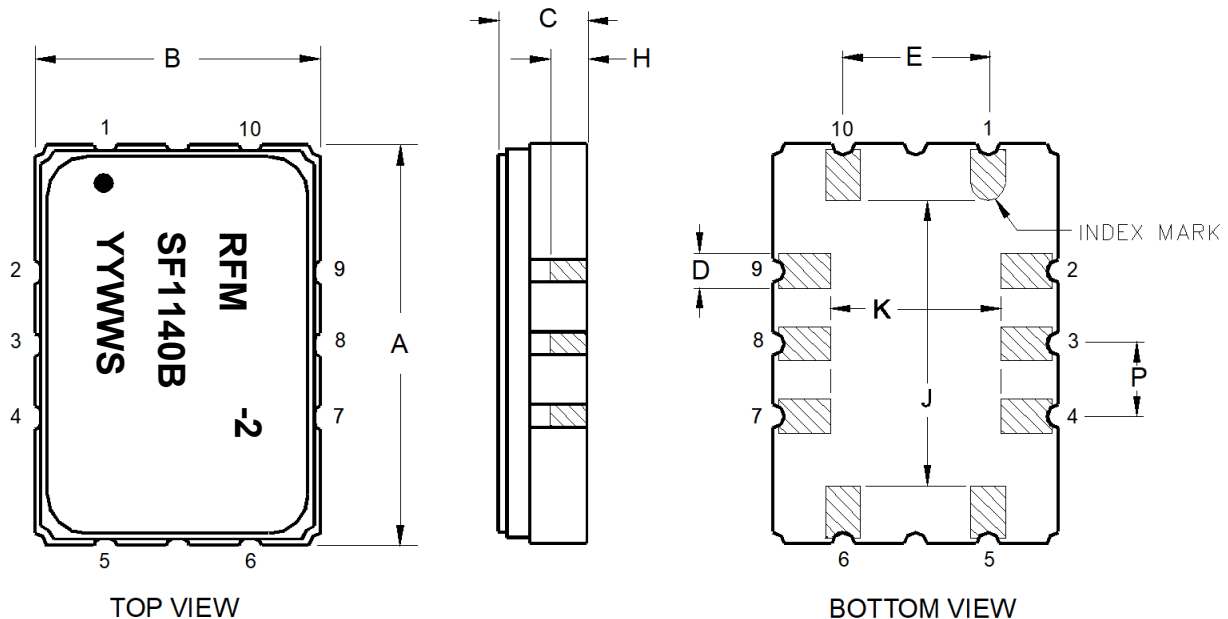


### Case Dimensions

Dimension	mm			Inches		
	Min	Nom	Max	Min	Nom	Max
A	6.80	7.00	7.20	0.268	0.276	0.283
B	4.80	5.00	5.20	0.189	0.197	0.205
C		1.65	2.00		0.065	0.079
D		0.60			0.024	
E		2.54			0.100	
H		1.0			0.039	
J		5.00			0.197	
K		3.00			0.118	
P		1.27			0.050	

### Electrical Connections

Connection		Terminals
Port 1	Input or Return	10
	Return or Input	1
Port 2	Output or Return	5
	Return or Output	6
Ground		All others
<b>Single Ended Operation</b>		<b>Return is ground</b>
<b>Differential Operation</b>		<b>Return is hot</b>



单击下面可查看定价，库存，交付和生命周期等信息

[>>Murata\(村田\)](#)