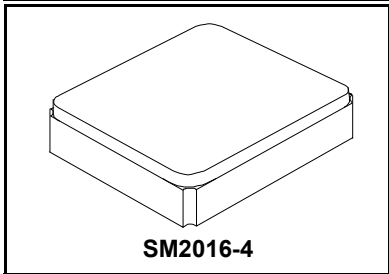


SF1186H-2

**1575.42 MHz
SAW Filter**



- RF Filter Designed for Front End GPS Applications
- Low Insertion Loss
- Improved Rejection
- 2.0 x 1.6 mm Surface-Mount Case

Absolute Maximum Ratings

Rating	Value	Units
Maximum Incident Power in Passband	+10	dBm
Maximum DC Voltage Between any Two Terminals	3	VDC
Operating Temperature Range	-40 to +85	°C
Storage Temperature Range	-55 to +95	°C
Maximum Soldering Profile	265°C for 10 s	

Electrical Characteristics

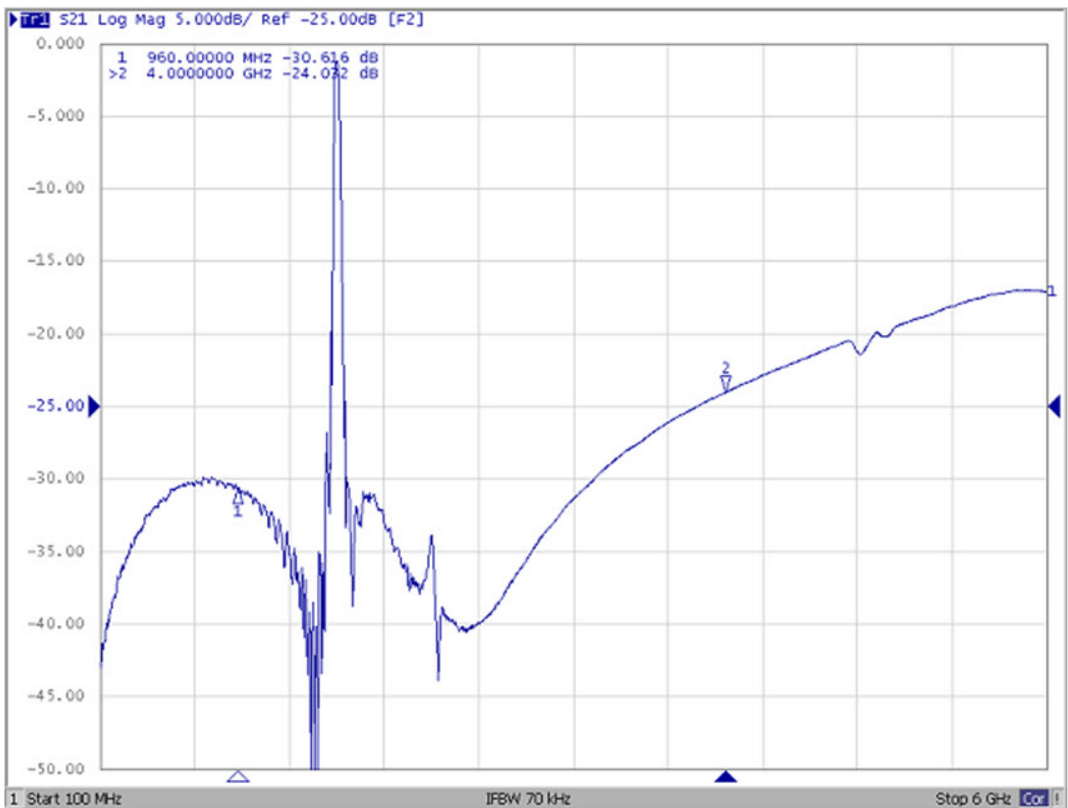
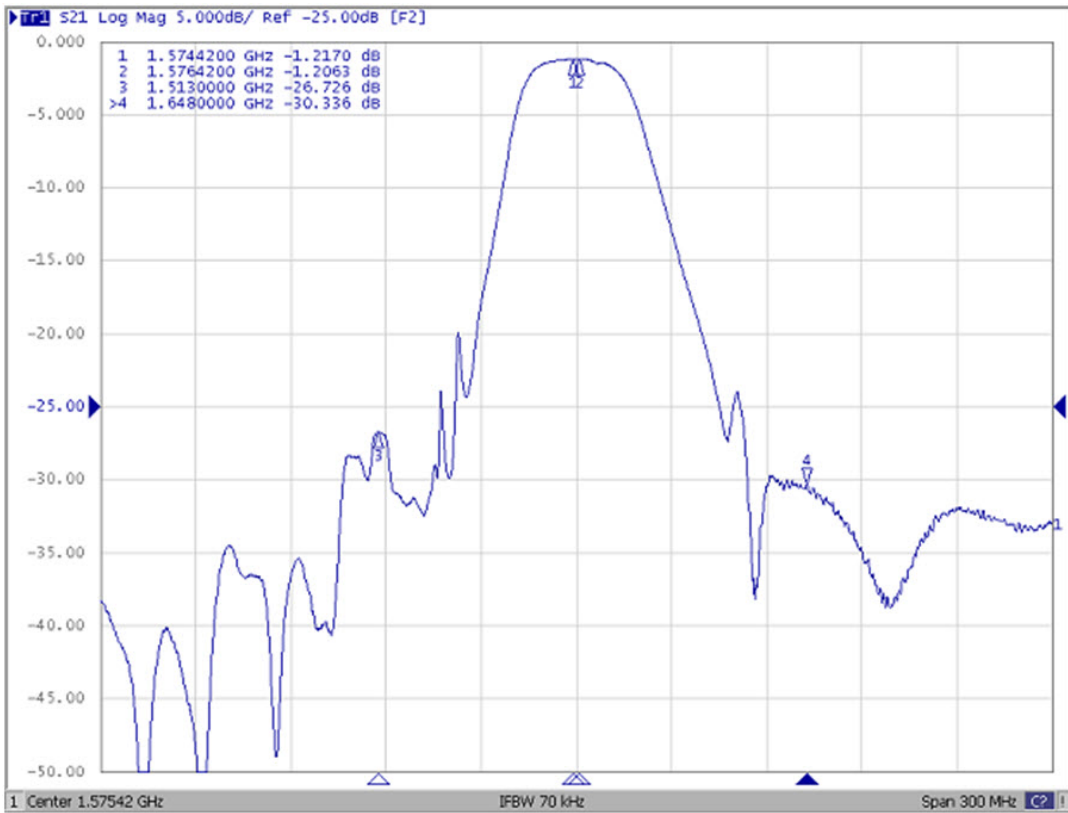
Characteristic	Sym	Notes	Min	Typ	Max	Units
Center Frequency	f_c		1575.42			MHz
Maximum Insertion Loss	I_{LMAX}	1574.42 to 1576.42 MHz		1.2	1.6	dB
		1573.42 to 1577.42 MHz		1.2	1.8	
Amplitude Ripple		1574.42 to 1576.42 MHz		0.1	0.5	dB
		1573.42 to 1577.42 MHz		0.1	0.7	
VSWR		1574.42 to 1576.42 MHz		1.2	1.9	dB
		1573.42 to 1577.42 MHz		1.2	2.0	
Attenuation (Reference to 0 dB)		100 to 960 MHz	26	29		dB
		960 to 1460 MHz	27	30		
		1460 to 1513 MHz	22	26		
		1648 to 1710 MHz	22	30		
		1710 to 1990 MHz	25	30		
		1990 to 2300 MHz	25	33		
		2300 to 4000 MHz	21	24		
4000 to 6000 MHz	13	16				
Source impedance	Z_s			50		Ω
Load impedance	Z_L			50		Ω
Single-ended Input / Output Impedance Match	No matching network required for operation at 50 ohms					
Case Style	SM2016-4					
Lid Symbolization (Y=year, W=week)	2Y, YW					

 **CAUTION: Electrostatic Sensitive Device. Observe precautions for handling.**

NOTES:

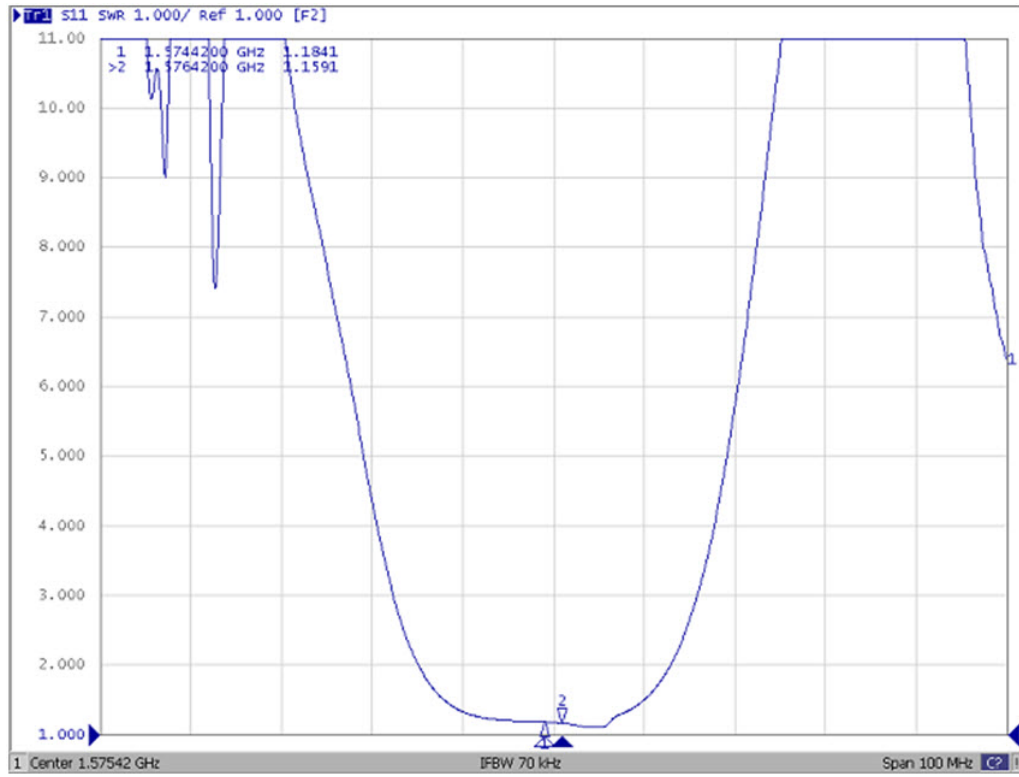
1. US and international patents may apply.
2. Murata, stylized Murata logo, and Murata N.A., Inc. are registered trademarks of Murata Manufacturing Co., Ltd.

**Frequency
Characteristics**

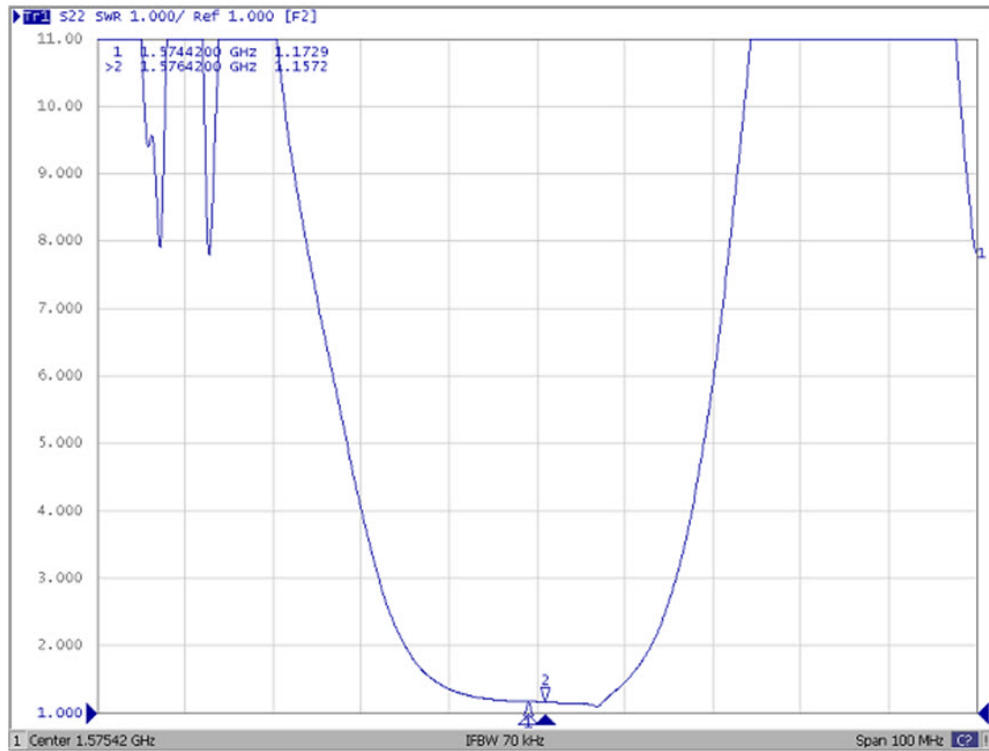


Reflection Functions

S11



S22



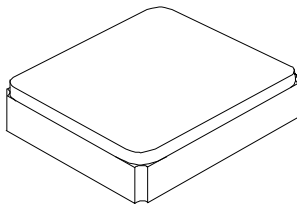
SM2016-4 Case

4-Terminal Ceramic Surface-Mount Case 2.0 X 1.6 mm Nominal Footprint

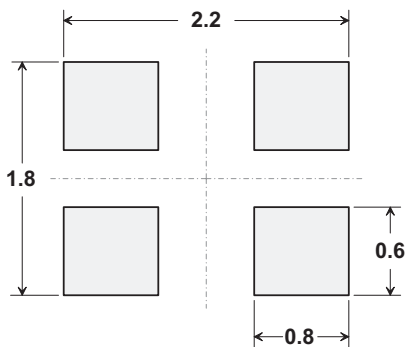
Electrical Connections

Connection	Terminals
Input	1
Output	3
Ground	2, 4

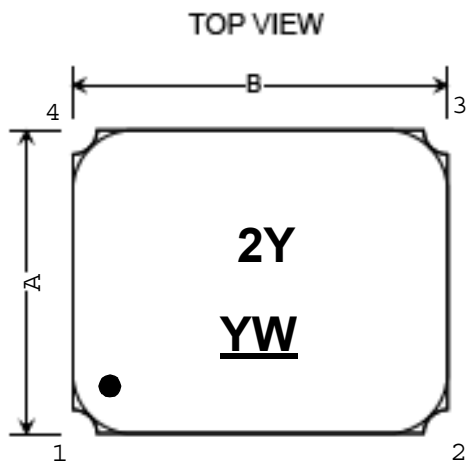
Dimensions	Millimeters			Inches		
	Min	Nom	Max	Min	Nom	Max
A		1.60			0.062	
B		2.0			0.078	
C		0.90			0.035	
D		0.10			0.003	
E		0.10			0.003	
F		0.70			0.027	
G		0.50			0.019	
H		0.10			0.003	



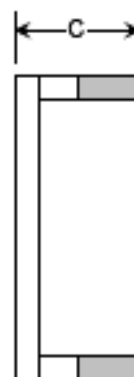
PCB PAD LAYOUT



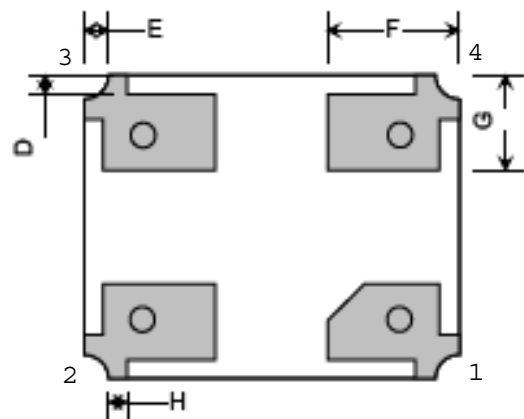
Dimensions in mm
All pads have the same dimensions



SIDE VIEW



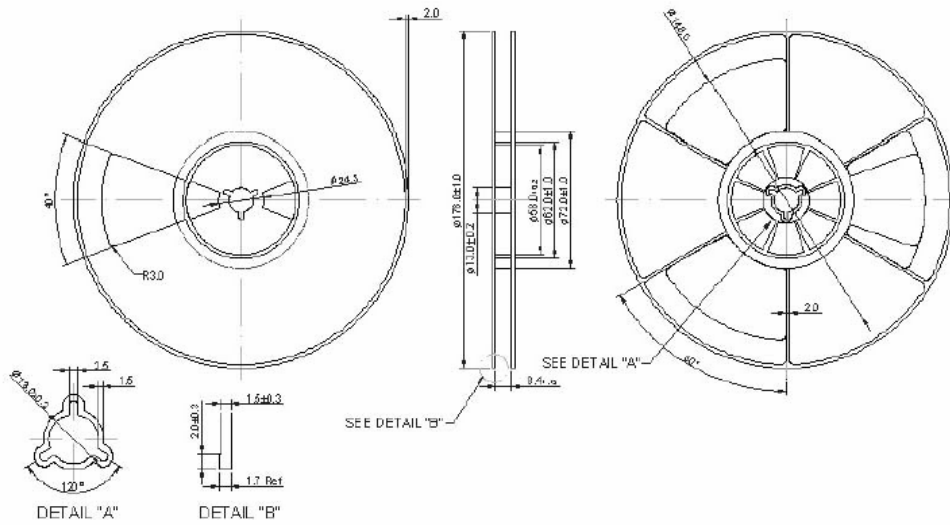
BOTTOM VIEW



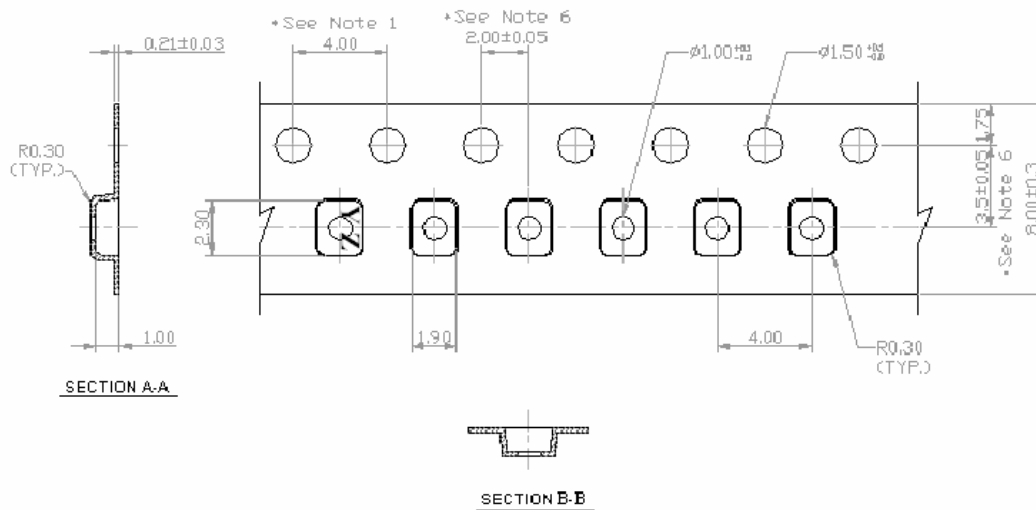
F. PACKING:

1. REEL DIMENSION

(Reel Count : 7"=2000 typ. ; 13"=10000 typ.)



2. TAPE DIMENSION



单击下面可查看定价，库存，交付和生命周期等信息

[>>Murata\(村田\)](#)