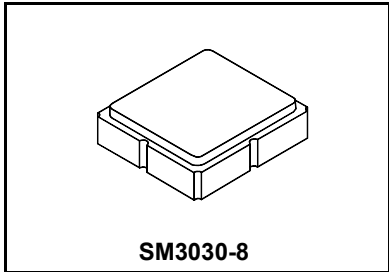


SF2032E

**1220 MHz
SAW Filter**



- **SAW Filter for Digital Television**
- **Complies with Directive 2002/95/EC (RoHS)**



Characteristics:

Balance-to-balanced operation

Terminating source impedance : $Z_S = 200 \Omega$

Terminating load impedance : $Z_L = 200 \Omega$

Maximum Rating

Rating	Value	Units
Input Power Level	0	dBm
DC Voltage on any Non-ground Terminal	3	V
Operating Temperature	-30 to +85	°C
Storage Temperature Range in Tape and Reel	-40 to +85	°C
Suitable for Lead-free Soldering - Maximum Soldering Profile	260°C for 30 s	

Characteristic	Sym	Notes	Min	Typ	Max	Units
Center Frequency	f_C			1220		MHz
Insertion Loss, 1206 to 1234 MHz	IL			4.0	5.7	dB
Amplitude Ripple, 1206 to 1234 MHz				1.9	3.5	dB
Attenuation Referenced to 0 dB:						
300 to 1118 MHz			40	59		dB
1118 to 1146 MHz			45	60		
1300 to 2000 MHz			45	59		
Group Delay Ripple				15		nSP-P

Case Style	SM3030-8 3.0 x 3.0 mm Nominal Footprint					
Lid Symbolization (Y=year, WW=week, S=shift) dot=pin 1 indicator	504, YWWS					
Standard Reel Quantity	Reel Size 7 Inch					500 Pieces/Reel
	Reel Size 13 Inch					3000 Pieces/Reel

	Connection	Terminals
Port 1	Balanced Input	1,2
Port 2	Balanced Output	5,6
	Ground	All Others

Dot Indicates Pin 1

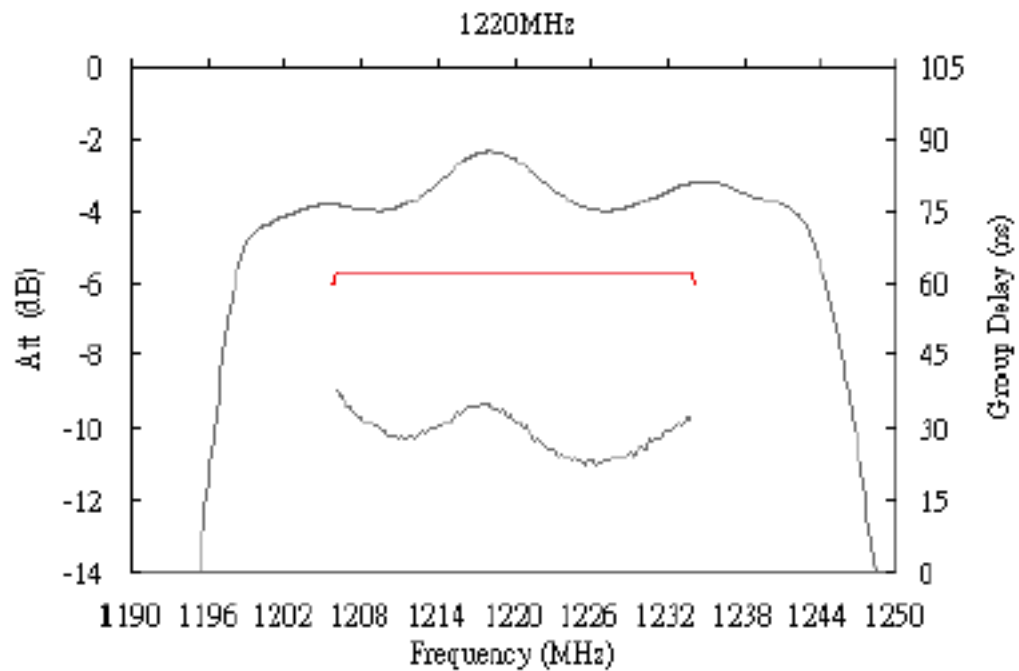
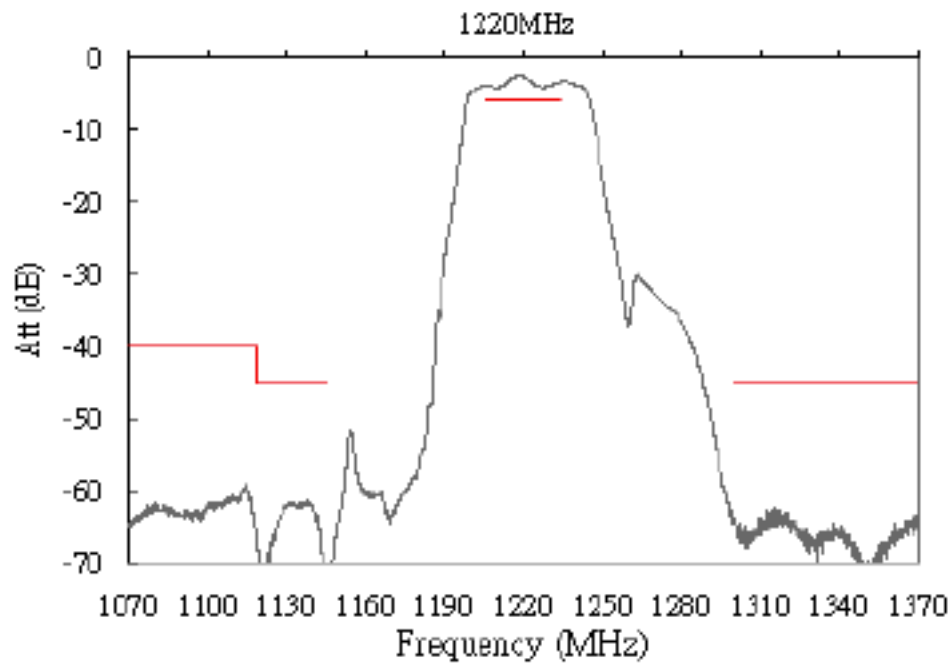


NOTES:

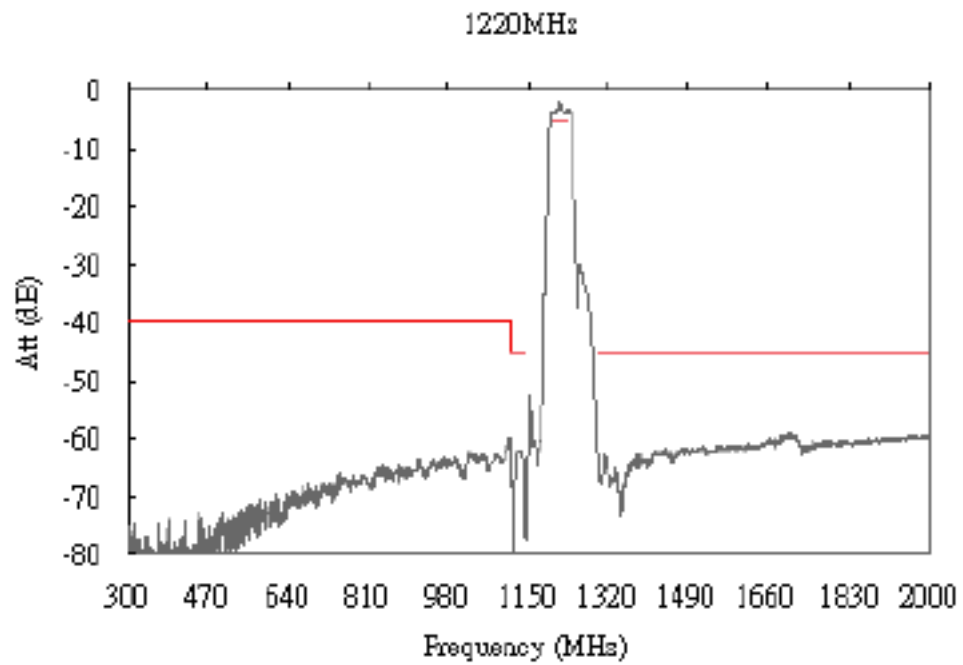
1. US and international patents may apply.
2. Murata, stylized Murata logo, and Murata N.A., Inc. are registered trademarks of Murata Manufacturing Co., Ltd.
3. Electrostatic Sensitive Device. Observe precautions for handling.

D. Transfer Function :

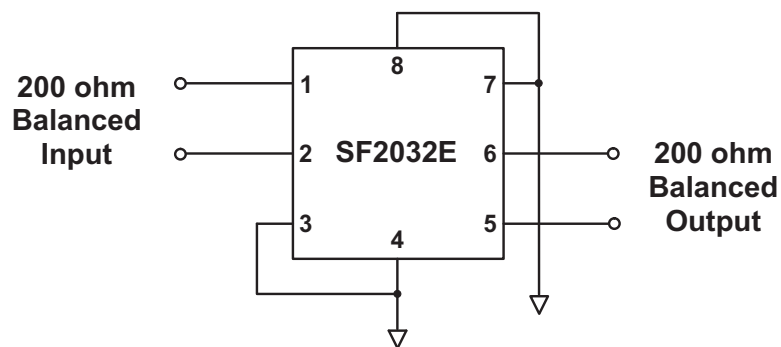
Narrowband



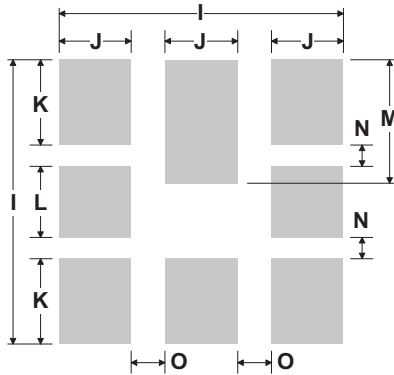
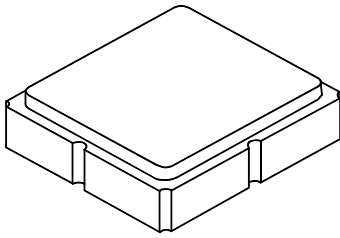
Wideband



SF2032E Test Circuit



8-Terminal Ceramic Surface-Mount Case 3.0 X 3.0 mm Nominal Footprint



PCB Footprint Top View

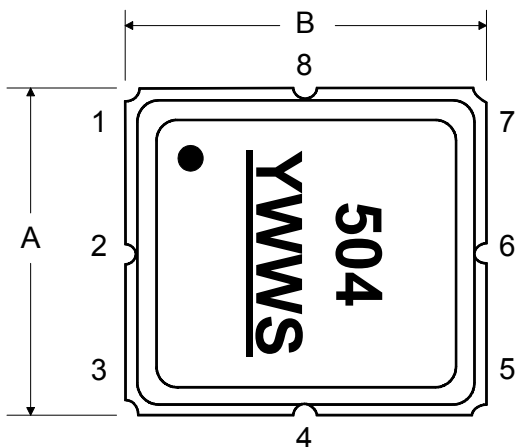
Case and PCB Footprint Dimensions

Dimension	mm			Inches		
	Min	Nom	Max	Min	Nom	Max
A	2.87	3.0	3.13	0.113	0.118	0.123
B	2.87	3.0	3.13	0.113	0.118	0.123
C	1.14	1.27	1.40	0.045	0.050	0.055
D	0.79	0.92	1.05	0.031	0.036	0.041
E	0.62	0.75	0.88	0.024	0.029	0.034
F	0.47	0.60	0.73	0.018	0.024	0.029
G	0.47	0.60	0.73	0.018	0.024	0.029
H	1.07	1.20	1.33	0.042	0.047	0.052
I		3.19			0.126	
J		0.81			0.032	
K		0.96			0.038	
L		0.81			0.032	
M		1.39			0.055	
N		0.23			0.009	
O		0.38			0.015	

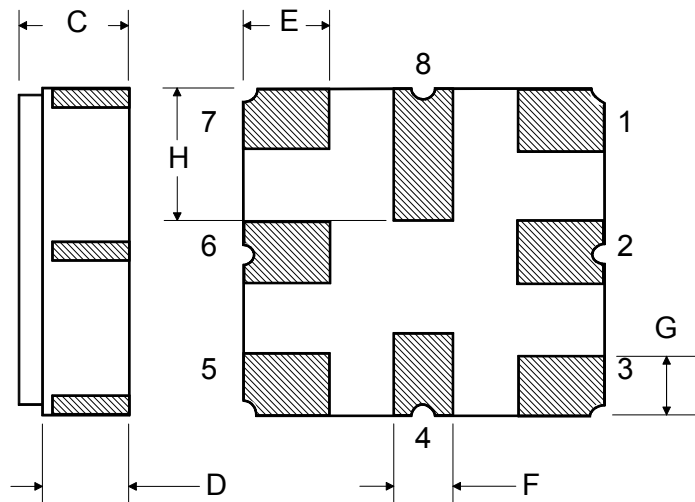
Case Materials

Materials	
Solder Pad Plating	0.3 to 1.0 μm Gold over 1.27 to 8.89 μm Nickel
Lid Plating	2.0 to 3.0 μm Nickel
Body	Al_2O_3 Ceramic
	Pb Free

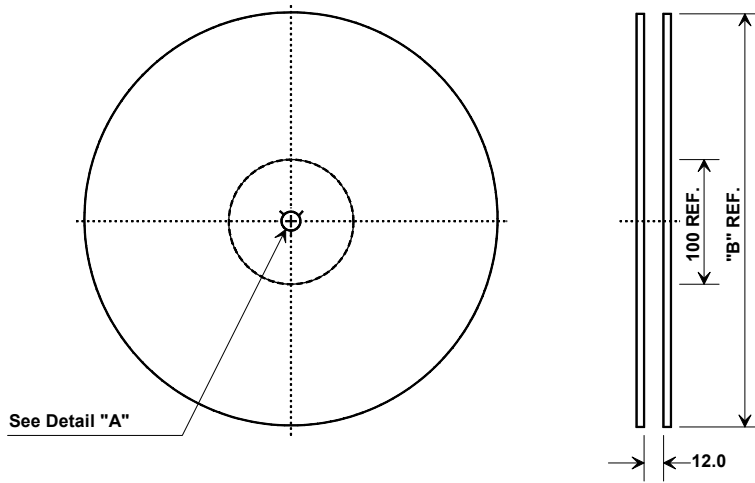
TOP VIEW



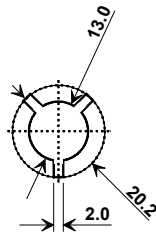
BOTTOM VIEW



Tape and Reel Specifications

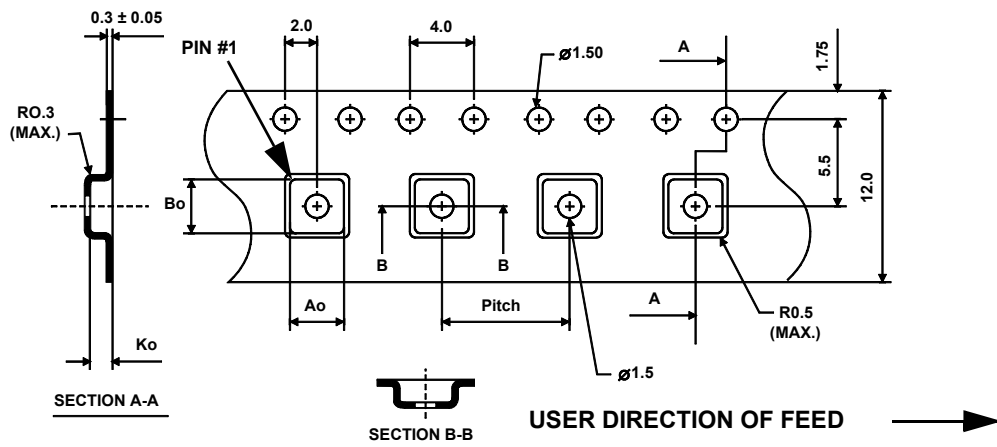


"B"		Quantity Per Reel
Nominal Size		
Inches	millimeters	
7	178	500
13	330	3000



COMPONENT ORIENTATION and DIMENSIONS

Carrier Tape Dimensions	
Ao	3.35 mm
Bo	3.35 mm
Ko	1.4 mm
Pitch	8.0 mm
W	12.0 mm



单击下面可查看定价，库存，交付和生命周期等信息

[>>Murata\(村田\)](#)