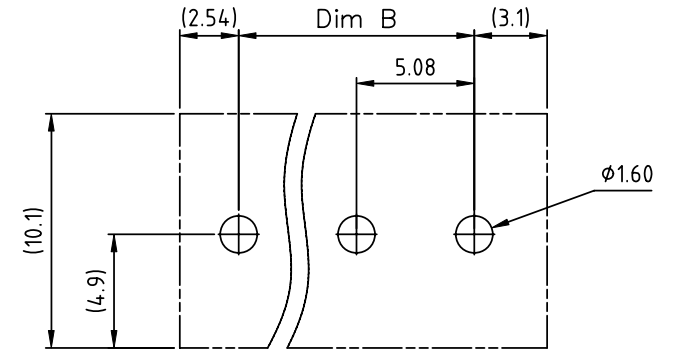
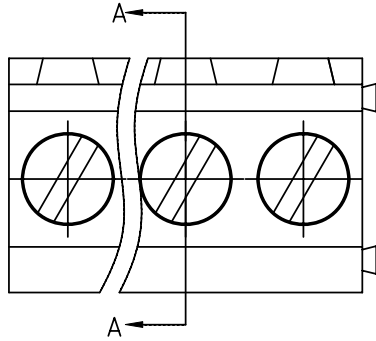
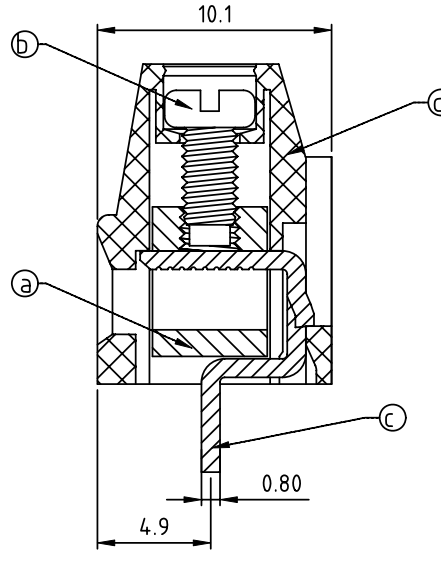
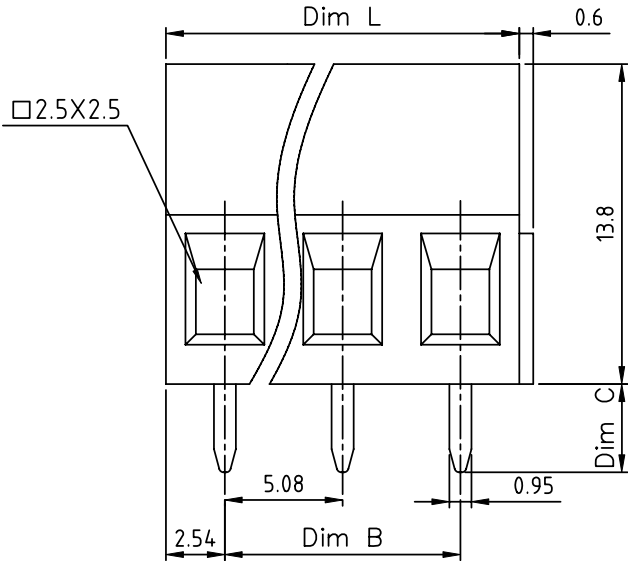


PRODUCT NUMBER	PITCH
YDxx21xx00J0G	5.08 mm



RECOMMENDED P.C.B LAYOUT
TOP VIEW



SECTION A-A

Material

- Item ① Clamp: Brass, Ni plated
- Item ② Terminal screw: Steel Zinc plating "-" slot type
- Item ③ Solder pin: Brass, Tin plated
- Item ④ Terminal housing: Thermoplastic (UL94V-0)

Electrical

- UL
- Voltage rating: 300VAC
- Current rating: 10A
- Wire range:
- Solid wire(AWG): 12-24
- Stranded wire(AWG): 12-24
- Torque(Lb-In): 3.5
- Screw: M2.5
- Wire strip length: 6-7mm
- Withstanding Voltage: 1.6KV
- Operating temperature: -40°C to +115°C
- Soldering temperature: 260°C±5°C/5 Sec
- Safety Approval:

PART NO.: YD xx 2 1 x x 00J0 G

N=NUMBER OF POLES

Dim L=Nx5.08
Dim B=(N-1)x5.08

POLES	DimL&B Tolerance
2P-8P	±0.20
9P-14P	±0.25
15P-20P	±0.30
21P-24P	±0.40

End stackable	No. of poles	Color	Dim C	RoHS compliant
0	2	Black (RAL9005)	0 3.8mm	In copper Alloy
02	2 poles	Red (RAL3001/D)	1 3.5mm	
03	3 poles	Orange(RAL2011/P)		
...	...	4 Yellow(RAL1018/A)		
...	...	5 Green(RAL6018/T)		
24	24 poles	6 Blue (RAL5015/A)		
		8 Grey(RAL7035/D)		
		9 White(RAL1102)		

mat'l. code		surface ASME Y14.5	tolerance ASME Y14.5	projection	product family TERMINAL BLOCK
ltr	ecn no	dr	date	 MM 	title TERMINAL BLOCK RISING CLAMP,180D WIRE INLET,END STACKABLE
tolerances unless otherwise specified					
angles		X.±0.5			dwg no YDxx21xx00J0G sheet 1 of 1 size A4
E		X.X±0.3			
X*±1"		X.XX±0.1			
dr	EVIN ZHONG	040914			
enrg	EVIN ZHONG	040914			
chr	HANKE FENG	040914			
appd	SHI JUN	040914			
sheet index	revision sheet	A	1	type CUSTOMER Drawing	

单击下面可查看定价，库存，交付和生命周期等信息

[>>Murata\(村田\)](#)

[>>点击查看相关商品](#)