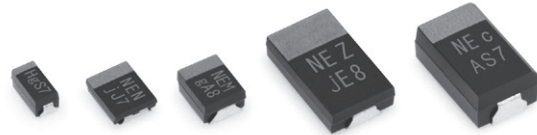


PS/L Series

Low ESR / RoHS Compliant

NeoCapacitor™

PS/L series is the standard product of NeoCapacitor™.
PS/L series can provide space-saving solution and low ESR.



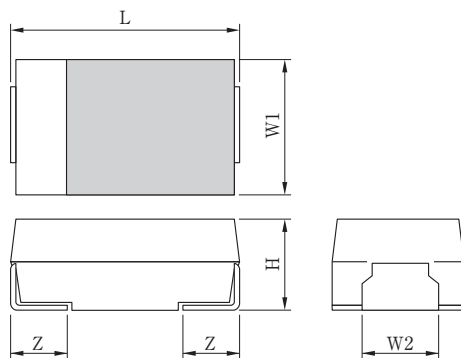
Performance Characteristics

Item		Performance						Test condition (IEC 60384-1)	
Operating temperature		- 55°C ~ + 105°C						—	
Rated temperature		+ 105°C						—	
Rated voltage (V)		2.5	4	6.3	10	16	20	25	105°C
Surge voltage (V)		3.3	5.2	8	13	20	23	29	85°C * 1
Nominal Capacitance	Range	3.3 μ F ~ 1,000 μ F						120Hz	
	Tolerance	± 20%						120Hz	
Dissipation Factor (tan δ)		Refer to Standard Ratings						120Hz	
Leakage Current (LC)		Refer to Standard Ratings						Rated voltage after 5 minutes	
Equivalent Series Resistance (ESR)		Refer to Standard Ratings						at 100kHz (Note: 300kHz ~ 500kHz for limited part number)	
Permissible Ripple Current		Refer to Standard Ratings						100kHz, sine wave	
		Δ C/C		tan δ		LC			
Surge voltage test		Refer to Standard Ratings		Within IL		Within IL		85°C, Surge voltage apply, 1000ohm series resistance, 1000cycle * 1	
Characteristics at high and low temperature	+ 20°C	—		Within IL		Within IL		—	
	- 55°C	0% ~ - 20% compare with +20° C		Within IL		—		—	
	+ 105°C	+50% ~ 0% compare with +20° C		Within 1.5 × IL		Within 10 × IL		—	
Endurance		Refer to Standard Ratings		Within 1.5 × IL		Within IL		105°C, Rated voltage apply, 2,000hour	
Damp heat		+30% ~ - 20% of the initial value		Within 1.5 × IL		Within IL		60°C, 90 ~ 95%R.H., 500hour	
Rapid change of temperature		Refer to Standard Ratings		Within IL		Within IL		- 55°C ~ +20°C ~ +105°C 5cycle	

IL = Initial limit

* 1 : As for rated voltage 20V or higher, surge voltage test shall be done at +15°C ~ +35°C .

Dimensions



(Unit : mm)

Dimension code / Case code	L	W1	W2	H	Z
A	3.2 ± 0.2	1.6 ± 0.2	1.2 ± 0.1	1.6 ± 0.2	0.8 ± 0.2
B3	3.5 ± 0.2	2.8 ± 0.2	2.2 ± 0.1	1.1 ± 0.1	0.8 ± 0.2
B15	3.5 ± 0.2	2.8 ± 0.2	2.2 ± 0.1	1.4 ± 0.1	0.8 ± 0.2
B2	3.5 ± 0.2	2.8 ± 0.2	2.2 ± 0.1	1.9 ± 0.1	0.8 ± 0.2
V	7.3 ± 0.2	4.3 ± 0.2	2.4 ± 0.1	1.9 ± 0.1	1.3 ± 0.2
D	7.3 ± 0.2	4.3 ± 0.2	2.4 ± 0.1	2.8 ± 0.2	1.3 ± 0.2



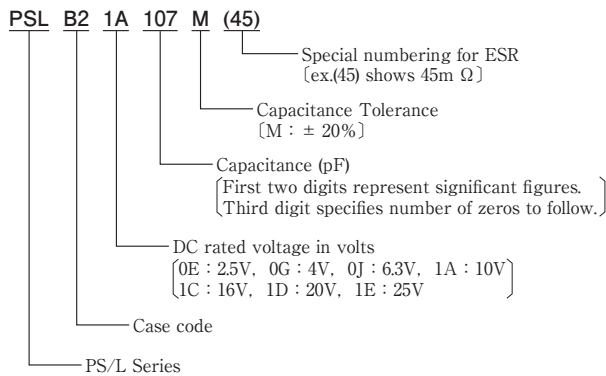
- All specifications in this catalog and production status of products are subject to change without notice. Prior to the purchase, please contact NEC TOKIN for updated product data.
- Please request for a specification sheet for detailed product data prior to the purchase.
- Before using the product in this catalog, please read "Precautions" and other safety precautions listed in the printed version catalog.

Standard C-V Value Reference by Case Code

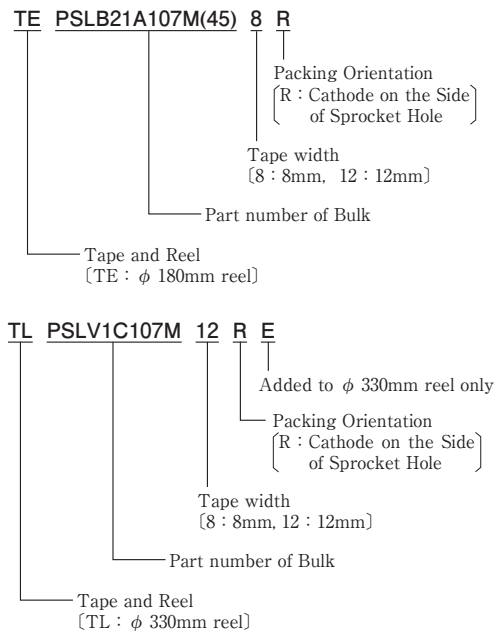
Rated voltage / Capacitance	2.5V	4V	6.3V	10V	16V	20V	25V
Capacitance	0E	0G	0J	1A	1C	1D	1E
3.3 μ F				A	A		
4.7 μ F				A	B2		
6.8 μ F			A	A,B2	B2		B3,B2
10 μ F		A	A	A,B2	B2		
15 μ F			A,B2	A,B2	B2		B2,V
22 μ F		B2	A,B3,B2	A,B3,B2		V	V
33 μ F		A	A,B3,B2	A,B3,B2	B2,V	V	V, D
47 μ F		A,B3	A,B3,B2	A,B3,B2,V,D	V, D	V, D	
68 μ F		A	B3,B2	V, D	V, D		
100 μ F	A,B3	A,B3,B2	A,B3,B2,V	B2,V,D	V		
150 μ F		B2	B15,B2,V,D	V, D			
220 μ F	A,B3,B2	B2,V,D	B2,V,D	D			
330 μ F	B2,V	V, D	V, D				
470 μ F	V	D					
680 μ F	D	D					
1000 μ F	D						

Part Number System

[Bulk]



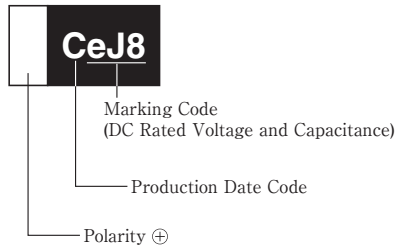
[Tape and reel]



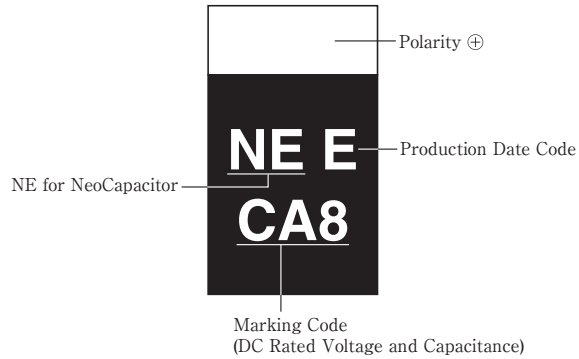
- All specifications in this catalog and production status of products are subject to change without notice. Prior to the purchase, please contact NEC TOKIN for updated product data.
- Please request for a specification sheet for detailed product data prior to the purchase.
- Before using the product in this catalog, please read "Precautions" and other safety precautions listed in the printed version catalog.

■ Marking

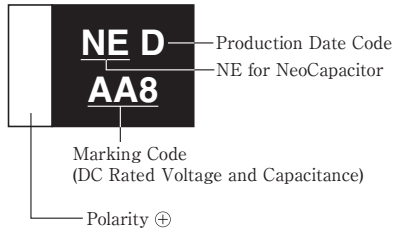
[A case] (ex. 2.5V/220 μ F)



[V, D case] (ex. 16V/100 μ F)



[B2, B15, B3 case] (ex. 10V/100 μ F)



《DC rated voltage and capacitance》

		Rated voltage						
		2.5V	4V	6.3V	10V	16V	20V	25V
Capacitance		e	g	j	A	C	D	E
	3.3 μ F	N6				AN6	CN6	
4.7 μ F	S6				AS6	CS6		
6.8 μ F	W6			jW6	AW6	CW6		EW6
10 μ F	A7		gA7	jA7	AA7	CA7		
15 μ F	E7			jE7	AE7	CE7		EE7
22 μ F	J7		gJ7	jj7	AJ7		DJ7	EJ7
33 μ F	N7		gN7	jN7	AN7	CN7	DN7	EN7
47 μ F	S7		gS7	JS7	AS7	CS7	DS7	
68 μ F	W7		gW7	jW7	AW7	CW7		
100 μ F	A8	eA8	gA8	JA8	AA8	CA8		
150 μ F	E8		gE8	JE8	AE8			
220 μ F	J8	eJ8	gJ8	JJ8	AJ8			
330 μ F	N8	eN8	gN8	JN8				
470 μ F	S8	eS8	gS8					
680 μ F	W8	eW8	gW8					
1000 μ F	A9	eA9						

《Production date code》

Y	M	Jan.	Feb.	Mar.	Apr.	May	Jun.	Jul.	Aug.	Sep.	Oct.	Nov.	Dec.
2013		A	B	C	D	E	F	G	H	J	K	L	M
2014		N	P	Q	R	S	T	U	V	W	X	Y	Z
2015		a	b	c	d	e	f	g	h	j	k	l	m
2016		n	p	q	r	s	t	u	v	w	x	y	z

NOTE: Production date code will resume beginning in 2017.



- All specifications in this catalog and production status of products are subject to change without notice. Prior to the purchase, please contact NEC TOKIN for updated product data.
- Please request for a specification sheet for detailed product data prior to the purchase.
- Before using the product in this catalog, please read "Precautions" and other safety precautions listed in the printed version catalog.

Standard Ratings

Rated Voltage (V)	Capacitance (μF)	Case Code	Part Number (Bulk)	Leakage Current *1 (μA)	tan δ *1 (<+20°C) Max	ESR *1,2 (mΩ) Max	Permissible Ripple Current (mA) *2 Max	Δ C/C *3	tan δ t Max	
									- 55°C *4	+ 105°C *5
2.5	100	A	PSLA0E107M	25	0.08	100	866	± 20%	0.08	0.12
	100	A	PSLA0E107M(45)	25	0.08	45	1291	± 20%	0.08	0.12
	100	A	PSLA0E107M(35)	25	0.08	35	1464	± 20%	0.08	0.12
	100	B3	PSLB30E107M	25	0.08	70	1035	± 20%	0.08	0.12
	220	A	PSLA0E227M(45)	55	0.08	45 ●	1291 ●	± 20%	0.08	0.12
	220	A	PSLA0E227M(35)	55	0.08	35 ●	1464 ●	± 20%	0.08	0.12
	220	A	PSLA0E227M(25)	55	0.08	25 ●	1732 ●	± 20%	0.08	0.12
	220	B3	PSLB30E227M	55	0.08	70	1035	± 20%	0.08	0.12
	220	B2	PSLB20E227M	55	0.08	45	1374	± 20%	0.08	0.12
	220	B2	PSLB20E227M(35)	55	0.08	35	1558	± 20%	0.08	0.12
	220	B2	PSLB20E227M(25)	55	0.08	25	1844	± 20%	0.08	0.12
	220	B2	PSLB20E227M(21)	55	0.08	21	2012	± 20%	0.08	0.12
	220	B2	PSLB20E227M(15)	55	0.08	15 ●	2380 ●	± 20%	0.08	0.12
	330	B2	PSLB20E337M(45)	82.5	0.08	45	1374	± 20%	0.08	0.12
	330	B2	PSLB20E337M(35)	82.5	0.08	35	1558	± 20%	0.08	0.12
	330	B2	PSLB20E337M(21)	82.5	0.08	21	2012	± 20%	0.08	0.12
	330	B2	PSLB20E337M(15)	82.5	0.08	15 ●	2380 ●	± 20%	0.08	0.12
	330	V	PSLV0E337M	82.5	0.1	25	2236	± 20%	0.1	0.15
	330	V	PSLV0E337M(15)	82.5	0.1	15	2887	± 20%	0.1	0.15
	330	V	PSLV0E337M(12)	82.5	0.1	12	3227	± 20%	0.1	0.15
470	V	PSLV0E477M(15)	117.5	0.1	15	2887	± 20%	0.1	0.15	
470	V	PSLV0E477M(12)	117.5	0.1	12	3227	± 20%	0.1	0.15	
680	D	PSLD0E687M	170	0.1	25	2449	± 20%	0.1	0.15	
680	D	PSLD0E687M(15)	170	0.1	15	3162	± 20%	0.1	0.15	
680	D	PSLD0E687M(12)	170	0.1	12	3536	± 20%	0.1	0.15	
1000	D	PSLD0E108M	250	0.1	25	2449	± 20%	0.1	0.15	
1000	D	PSLD0E108M(15)	250	0.1	15	3162	± 20%	0.1	0.15	
4	10	A	PSLA0G106M	4	0.06	200	612	± 20%	0.06	0.09
	22	B2	PSLB20G226M	8.8	0.08	150	753	± 20%	0.08	0.12
	33	A	PSLA0G336M	13.2	0.06	180	645	± 20%	0.06	0.09
	47	A	PSLA0G476M	18.8	0.06	180	645	± 20%	0.06	0.09
	47	B3	PSLB30G476M	18.8	0.08	70	1035	± 20%	0.08	0.12
	68	A	PSLA0G686M	27.2	0.06	180	645	± 20%	0.06	0.09
	100	A	PSLA0G107M	40	0.08	100	866	± 20%	0.08	0.12
	100	A	PSLA0G107M(45)	40	0.08	45	1291	± 20%	0.08	0.12
	100	A	PSLA0G107M(35)	40	0.08	35	1464	± 20%	0.08	0.12
	100	A	PSLA0G107M(25)	40	0.08	25	1732	± 20%	0.08	0.12
	100	B3	PSLB30G107M	40	0.08	70	1035	± 20%	0.08	0.12
	100	B2	PSLB20G107M	40	0.08	70	1102	± 20%	0.08	0.12
	100	B2	PSLB20G107M(45)	40	0.08	45	1374	± 20%	0.08	0.12
	100	B2	PSLB20G107M(35)	40	0.08	35	1558	± 20%	0.08	0.12
	150	B2	PSLB20G157M	60	0.08	45	1374	± 20%	0.08	0.12
	150	B2	PSLB20G157M(35)	60	0.08	35	1558	± 20%	0.08	0.12
	150	B2	PSLB20G157M(25)	60	0.08	25	1844	± 20%	0.08	0.12
	220	B2	PSLB20G227M	88	0.08	45	1374	± 20%	0.08	0.12
	220	B2	PSLB20G227M(35)	88	0.08	35	1558	± 20%	0.08	0.12
	220	B2	PSLB20G227M(25)	88	0.08	25	1844	± 20%	0.08	0.12
220	B2	PSLB20G227M(15)	88	0.08	15	2380	± 20%	0.08	0.12	

...If needed, please contact NEC TOKIN.



- All specifications in this catalog and production status of products are subject to change without notice. Prior to the purchase, please contact NEC TOKIN for updated product data.
- Please request for a specification sheet for detailed product data prior to the purchase.
- Before using the product in this catalog, please read "Precautions" and other safety precautions listed in the printed version catalog.

PS/L Series

Rated Voltage (V)	Capacitance (μF)	Case Code	Part Number (Bulk)	Leakage Current (μA)	tan δ * 1 (+20°C) Max	ESR * 1,2 (mΩ) Max	Permissible Ripple Current * 2 (mA _{rms}) Max	Δ C/C * 3	tan δ t Max	
									- 55°C * 4	+ 105°C * 5
4	220	V	PSLV0G227M	88	0.1	45	1667	± 20%	0.1	0.15
	220	V	PSLV0G227M(25)	88	0.1	25	2236	± 20%	0.1	0.15
	220	V	PSLV0G227M(18)	88	0.1	18	2635	± 20%	0.1	0.15
	220	V	PSLV0G227M(15)	88	0.1	15	2887	± 20%	0.1	0.15
	220	V	PSLV0G227M(12)	88	0.1	12	3227	± 20%	0.1	0.15
	220	D	PSLD0G227M	88	0.1	55	1651	± 20%	0.1	0.15
	220	D	PSLD0G227M(40)	88	0.1	40	1936	± 20%	0.1	0.15
	220	D	PSLD0G227M(25)	88	0.1	25	2449	± 20%	0.1	0.15
	220	D	PSLD0G227M(15)	88	0.1	15	3162	± 20%	0.1	0.15
	220	D	PSLD0G227M(12)	88	0.1	12	3536	± 20%	0.1	0.15
	330	V	PSLV0G337M	132	0.1	45	1667	± 20%	0.1	0.15
	330	V	PSLV0G337M(25)	132	0.1	25	2236	± 20%	0.1	0.15
	330	V	PSLV0G337M(15)	132	0.1	15	2887	± 20%	0.1	0.15
	330	V	PSLV0G337M(12)	132	0.1	12	3227	± 20%	0.1	0.15
	330	D	PSLD0G337M	132	0.1	40	1936	± 20%	0.1	0.15
	330	D	PSLD0G337M(25)	132	0.1	25	2449	± 20%	0.1	0.15
	330	D	PSLD0G337M(15)	132	0.1	15	3162	± 20%	0.1	0.15
	470	D	PSLD0G477M	188	0.1	25	2449	± 20%	0.1	0.15
	470	D	PSLD0G477M(18)	188	0.1	18	2887	± 20%	0.1	0.15
	470	D	PSLD0G477M(15)	188	0.1	15	3162	± 20%	0.1	0.15
470	D	PSLD0G477M(12)	188	0.1	12	3536	± 20%	0.1	0.15	
470	D	PSLD0G477M(10)	188	0.1	10	3873	± 20%	0.1	0.15	
680	D	PSLD0G687M	272	0.1	25	2449	± 20%	0.1	0.15	
680	D	PSLD0G687M(15)	272	0.1	15	3162	± 20%	0.1	0.15	
680	D	PSLD0G687M(12)	272	0.1	12	3536	± 20%	0.1	0.15	
6.3	6.8	A	PSLA0J685M	4.2	0.06	300	500	± 20%	0.06	0.09
	10	A	PSLA0J106M	6.3	0.06	200	612	± 20%	0.06	0.09
	15	A	PSLA0J156M	9.4	0.06	200	612	± 20%	0.06	0.09
	15	B2	PSLB20J156M	9.4	0.08	150	753	± 20%	0.08	0.12
	22	A	PSLA0J226M	13.8	0.06	180	645	± 20%	0.06	0.09
	22	B3	PSLB30J226M	13.8	0.08	70	1035	± 20%	0.08	0.12
	22	B2	PSLB20J226M	13.8	0.08	150	753	± 20%	0.08	0.12
	33	A	PSLA0J336M	20.7	0.06	180	645	± 20%	0.06	0.09
	33	B3	PSLB30J336M	20.7	0.08	70	1035	± 20%	0.08	0.12
	33	B2	PSLB20J336M	20.7	0.08	150	753	± 20%	0.08	0.12
	47	A	PSLA0J476M	29.6	0.06	150	645	± 20%	0.06	0.09
	47	A	PSLA0J476M(70)	29.6	0.06	70	1035	± 20%	0.06	0.09
	47	B3	PSLB30J476M	29.6	0.08	70	1035	± 20%	0.08	0.12
	47	B3	PSLB30J476M(55)	29.6	0.08	55	1168	± 20%	0.08	0.12
	47	B2	PSLB20J476M	29.6	0.08	150	753	± 20%	0.08	0.12
	47	B2	PSLB20J476M(70)	29.6	0.08	70	1102	± 20%	0.08	0.12
	68	B3	PSLB30J686M	42.8	0.08	70	1035	± 20%	0.08	0.12
	68	B2	PSLB20J686M	42.8	0.08	70	1102	± 20%	0.08	0.12
	68	B2	PSLB20J686M(55)	42.8	0.08	55	1243	± 20%	0.08	0.12
	100	A	PSLA0J107M(70)	63	0.08	70	1035	± 20%	0.08	0.12
100	A	PSLA0J107M(45)	63	0.08	45	1300	± 20%	0.08	0.12	
100	A	PSLA0J107M(35)	63	0.08	35	1500	± 20%	0.08	0.12	
100	B3	PSLB30J107M	63	0.08	70	1035	± 20%	0.08	0.12	

...If needed, please contact NEC TOKIN.



- All specifications in this catalog and production status of products are subject to change without notice. Prior to the purchase, please contact NEC TOKIN for updated product data.
- Please request for a specification sheet for detailed product data prior to the purchase.
- Before using the product in this catalog, please read "Precautions" and other safety precautions listed in the printed version catalog.

Rated Voltage (V)	Capacitance (μF)	Case Code	Part Number (Bulk)	Leakage Current *1 (μA)	tan δ *1 (<+20°C) Max	ESR *1,2 (mΩ) Max	Permissible Ripple Current (mA) *2 Max	Δ C/C *3	tan δ t Max	
									- 55°C *4	+ 105°C *5
6.3	100	B3	PSLB30J107M(45)	63	0.08	45	1291	± 20%	0.08	0.12
	100	B2	PSLB20J107M	63	0.08	70	1102	± 20%	0.08	0.12
	100	B2	PSLB20J107M(45)	63	0.08	45	1374	± 20%	0.08	0.12
	100	B2	PSLB20J107M(35)	63	0.08	35	1558	± 20%	0.08	0.12
	100	B2	PSLB20J107M(25)	63	0.08	25	1844	± 20%	0.08	0.12
	100	V	PSLV0J107M(18)	63	0.1	18	2635	± 20%	0.1	0.15
	100	V	PSLV0J107M(15)	63	0.1	15	2887	± 20%	0.1	0.15
	150	B15	PSLB150J157M(70)	94.5	0.1	70	1069	± 20%	0.1	0.15
	150	B15	PSLB150J157M(35)	94.5	0.1	35	1512	± 20%	0.1	0.15
	150	B2	PSLB20J157M	94.5	0.08	45	1374	± 20%	0.08	0.12
	150	B2	PSLB20J157M(35)	94.5	0.08	35	1558	± 20%	0.08	0.12
	150	B2	PSLB20J157M(25)	94.5	0.08	25	1844	± 20%	0.08	0.12
	150	V	PSLV0J157M	94.5	0.1	45	1667	± 20%	0.1	0.15
	150	V	PSLV0J157M(25)	94.5	0.1	25	2236	± 20%	0.1	0.15
	150	V	PSLV0J157M(18)	94.5	0.1	18	2635	± 20%	0.1	0.15
	150	V	PSLV0J157M(15)	94.5	0.1	15	2887	± 20%	0.1	0.15
	150	V	PSLV0J157M(12)	94.5	0.1	12	3227	± 20%	0.1	0.15
	150	D	PSLD0J157M	94.5	0.1	55	1651	± 20%	0.1	0.15
	150	D	PSLD0J157M(40)	94.5	0.1	40	1936	± 20%	0.1	0.15
	150	D	PSLD0J157M(25)	94.5	0.1	25	2449	± 20%	0.1	0.15
	220	B2	PSLB20J227M(45)	138.6	0.08	45	1374	± 20%	0.08	0.12
	220	B2	PSLB20J227M(35)	138.6	0.08	35	1558	± 20%	0.08	0.12
	220	B2	PSLB20J227M(25)	138.6	0.08	25	1844	± 20%	0.08	0.12
	220	V	PSLV0J227M	138.6	0.1	45	1667	± 20%	0.1	0.15
	220	V	PSLV0J227M(25)	138.6	0.1	25	2236	± 20%	0.1	0.15
	220	V	PSLV0J227M(15)	138.6	0.1	15	2887	± 20%	0.1	0.15
	220	V	PSLV0J227M(12)	138.6	0.1	12	3227	± 20%	0.1	0.15
	220	D	PSLD0J227M	138.6	0.1	55	1651	± 20%	0.1	0.15
	220	D	PSLD0J227M(40)	138.6	0.1	40	1936	± 20%	0.1	0.15
	220	D	PSLD0J227M(25)	138.6	0.1	25	2449	± 20%	0.1	0.15
330	V	PSLV0J337M	207.9	0.1	45	1667	± 20%	0.1	0.15	
330	V	PSLV0J337M(25)	207.9	0.1	25	2236	± 20%	0.1	0.15	
330	D	PSLD0J337M	207.9	0.1	40	1936	± 20%	0.1	0.15	
330	D	PSLD0J337M(25)	207.9	0.1	25	2449	± 20%	0.1	0.15	
330	D	PSLD0J337M(18)	207.9	0.1	18	2887	± 20%	0.1	0.15	
10	3.3	A	PSLA1A335M	3.3	0.06	300	500	± 20%	0.06	0.09
	4.7	A	PSLA1A475M	4.7	0.06	300	500	± 20%	0.06	0.09
	6.8	A	PSLA1A685M	6.8	0.06	300	500	± 20%	0.06	0.09
	6.8	B2	PSLB21A685M	6.8	0.08	200	652	± 20%	0.08	0.12
	10	A	PSLA1A106M	10	0.06	200	612	± 20%	0.06	0.09
	10	B2	PSLB21A106M	10	0.08	200	652	± 20%	0.08	0.12
	15	A	PSLA1A156M	15	0.06	180	645	± 20%	0.06	0.09
	15	B2	PSLB21A156M	15	0.08	150	753	± 20%	0.08	0.12
	22	A	PSLA1A226M	22	0.06	180	645	± 20%	0.06	0.09
	22	B3	PSLB31A226M	22	0.08	70	1035	± 20%	0.08	0.12
	22	B2	PSLB21A226M	22	0.08	150	753	± 20%	0.08	0.12
	33	A	PSLA1A336M	33	0.08	200	612	± 20%	0.08	0.12
33	B3	PSLB31A336M	33	0.08	70	1035	± 20%	0.08	0.12	

...If needed, please contact NEC TOKIN.



- All specifications in this catalog and production status of products are subject to change without notice. Prior to the purchase, please contact NEC TOKIN for updated product data.
- Please request for a specification sheet for detailed product data prior to the purchase.
- Before using the product in this catalog, please read "Precautions" and other safety precautions listed in the printed version catalog.

PS/L Series

Rated Voltage (V)	Capacitance (μF)	Case Code	Part Number (Bulk)	Leakage Current (μA)	tan δ *1 (+20°C) Max	ESR *1,2 (mΩ) Max	Permissible Ripple Current *2,6 (mA _{rms}) Max	Δ C/C *3	tan δ t Max	
									- 55°C *4	+ 105°C *5
10	33	B2	PSLB21A336M	33	0.08	150	753	± 20%	0.08	0.12
	47	A	PSLA1A476M	47	0.08	180	645	± 20%	0.08	0.12
	47	A	PSLA1A476M(45)	47	0.08	45	1291	± 20%	0.08	0.12
	47	B3	PSLB31A476M	47	0.08	70	1035	± 20%	0.08	0.12
	47	B2	PSLB21A476M	47	0.08	70	1102	± 20%	0.08	0.12
	47	B2	PSLB21A476M(35)	47	0.08	35	1558	± 20%	0.08	0.12
	47	V	PSLV1A476M	47	0.1	60	1443	± 20%	0.1	0.15
	47	D	PSLD1A476M	47	0.1	100	1225	± 20%	0.1	0.15
	68	V	PSLV1A686M	68	0.1	60	1443	± 20%	0.1	0.15
	68	D	PSLD1A686M	68	0.1	100	1225	± 20%	0.1	0.15
	100	B2	PSLB21A107M(45)	100	0.1	45	1374	± 20%	0.1	0.15
	100	B2	PSLB21A107M(25)	100	0.1	25	1844	± 20%	0.1	0.15
	100	V	PSLV1A107M	100	0.1	45	1667	± 20%	0.1	0.15
	100	V	PSLV1A107M(25)	100	0.1	25	2236	± 20%	0.1	0.15
	100	D	PSLD1A107M	100	0.1	55	1651	± 20%	0.1	0.15
	150	V	PSLV1A157M	150	0.1	45	1667	± 20%	0.1	0.15
	150	V	PSLV1A157M(40)	150	0.1	40	1768	± 20%	0.1	0.15
	150	D	PSLD1A157M	150	0.1	55	1651	± 20%	0.1	0.15
150	D	PSLD1A157M(40)	150	0.1	40	1936	± 20%	0.1	0.15	
220	D	PSLD1A227M	220	0.1	55	1651	± 20%	0.1	0.15	
220	D	PSLD1A227M(40)	220	0.1	40	1936	± 20%	0.1	0.15	
220	D	PSLD1A227M(25)	220	0.1	25	2449	± 20%	0.1	0.15	
16	3.3	A	PSLA1C335M	5.2	0.06	800	306 ★	± 20%	0.06	0.09
	4.7	B2	PSLB21C475M	7.5	0.08	200	652 ★	± 20%	0.08	0.12
	6.8	B2	PSLB21C685M	10.8	0.08	200	652 ★	± 20%	0.08	0.12
	10	B2	PSLB21C106M	16	0.08	100	922 ★	± 20%	0.08	0.12
	15	B2	PSLB21C156M	24	0.08	90	972 ★	± 20%	0.08	0.12
	33	B2	PSLB21C336M	52.8	0.08	70	1102 ★	± 20%	0.08	0.12
	33	V	PSLV1C336M	52.8	0.1	70	1336 ★	± 20%	0.1	0.15
	47	V	PSLV1C476M	75.2	0.1	70	1336 ★	± 20%	0.1	0.15
	47	D	PSLD1C476M	75.2	0.1	70	1464 ★	± 20%	0.1	0.15
	68	V	PSLV1C686M	108.8	0.1	50	1581 ★	± 20%	0.1	0.15
	68	D	PSLD1C686M	108.8	0.1	55	1651 ★	± 20%	0.1	0.15
100	V	PSLV1C107M	160	0.1	50	1581 ★	± 20%	0.1	0.15	
20	22	V	PSLV1D226M	44	0.1	90	1179 ★	± 20%	0.1	0.15
	33	V	PSLV1D336M	66	0.1	70	1336 ★	± 20%	0.1	0.15
	47	V	PSLV1D476M	94	0.1	70	1336 ★	± 20%	0.1	0.15
	47	D	PSLD1D476M	94	0.1	70	1464 ★	± 20%	0.1	0.15
25	6.8	B3	PSLB31E685M	34	0.08	100	866 ★	± 20%	0.08	0.12
	6.8	B2	PSLB21E685M	17	0.08	100	922 ★	± 20%	0.08	0.12
	15	B2	PSLB21E156M	112.5	0.1	100	922 ★	± 20%	0.1	0.15
	15	V	PSLV1E156M	37.5	0.1	90	1179 ★	± 20%	0.1	0.15
	22	V	PSLV1E226M	55	0.1	90	1179 ★	± 20%	0.1	0.15
	33	V	PSLV1E336M	82.5	0.1	60	1443 ★	± 20%	0.1	0.15
33	D	PSLD1E336M	82.5	0.1	60	1581 ★	± 20%	0.1	0.15	

...If needed, please contact NEC TOKIN.

* 1 : Initial characteristic

* 2 : Frequency ● : 300 ~ 500kHz, no mark : 100kHz

* 3 : Δ C/C specification (Surge voltage, Rapid change of temperature, Endurance)

* 4 : Specification of tan δ

(Characteristics at high and low temperature - 55°C)

* 5 : Specification of tan δ

(Characteristics at high and low temperature +105°C)

* 6 : Permissible Ripple Current ★ : 100kHz, +105°C



●All specifications in this catalog and production status of products are subject to change without notice. Prior to the purchase, please contact NEC TOKIN for updated product data.

●Please request for a specification sheet for detailed product data prior to the purchase.

●Before using the product in this catalog, please read "Precautions" and other safety precautions listed in the printed version catalog.

单击下面可查看定价，库存，交付和生命周期等信息

[>>NEC-TOKIN/KEMET](#)