

74HC595; 74HCT595

8-bit serial-in, serial or parallel-out shift register with output latches; 3-state

Rev. 11 — 10 September 2021

Product data sheet

1. General description

The 74HC595; 74HCT595 is an 8-bit serial-in/serial or parallel-out shift register with a storage register and 3-state outputs. Both the shift and storage register have separate clocks. The device features a serial input (DS) and a serial output (Q7S) to enable cascading and an asynchronous reset MR input. A LOW on MR will reset the shift register. Data is shifted on the LOW-to-HIGH transitions of the SHCP input. The data in the shift register is transferred to the storage register on a LOW-to-HIGH transition of the STCP input. If both clocks are connected together, the shift register will always be one clock pulse ahead of the storage register. Data in the storage register appears at the output whenever the output enable input (\overline{OE}) is LOW. A HIGH on \overline{OE} causes the outputs to assume a high-impedance OFF-state. Operation of the \overline{OE} input does not affect the state of the registers. Inputs include clamp diodes. This enables the use of current limiting resistors to interface inputs to voltages in excess of V_{CC} .

2. Features and benefits

- Wide supply voltage range from 2.0 to 6.0 V
- CMOS low power dissipation
- High noise immunity
- 8-bit serial input
- 8-bit serial or parallel output
- Storage register with 3-state outputs
- Shift register with direct clear
- 100 MHz (typical) shift out frequency
- Latch-up performance exceeds 100 mA per JESD 78 Class II Level B
- Complies with JEDEC standards:
 - JESD8C (2.7 V to 3.6 V)
 - JESD7A (2.0 V to 6.0 V)
- Input levels:
 - For 74HC595: CMOS level
 - For 74HCT595: TTL level
- ESD protection:
 - HBM JESD22-A114F exceeds 2000 V
 - MM JESD22-A115-A exceeds 200 V
- Multiple package options
- Specified from -40 °C to +85 °C and from -40 °C to +125 °C

3. Applications

- Serial-to-parallel data conversion
- Remote control holding register

4. Ordering information

Table 1. Ordering information

Type number	Package			Version
	Temperature range	Name	Description	
74HC595D	-40 °C to +125 °C	SO16	plastic small outline package; 16 leads; body width 3.9 mm	SOT109-1
74HCT595D				
74HC595PW	-40 °C to +125 °C	TSSOP16	plastic thin shrink small outline package; 16 leads; body width 4.4 mm	SOT403-1
74HCT595PW				
74HC595BQ	-40 °C to +125 °C	DHVQFN16	plastic dual in-line compatible thermal enhanced very thin quad flat package; no leads; 16 terminals; body 2.5 × 3.5 × 0.85 mm	SOT763-1
74HCT595BQ				
74HC595BZ	-40 °C to +125 °C	DHXQFN16	plastic, leadless dual in-line compatible thermal enhanced extreme thin quad flat package; no leads; 16 terminals; 0.4 mm pitch; body 2 mm × 2.4 mm × 0.48 mm	SOT8016-1

5. Functional diagram

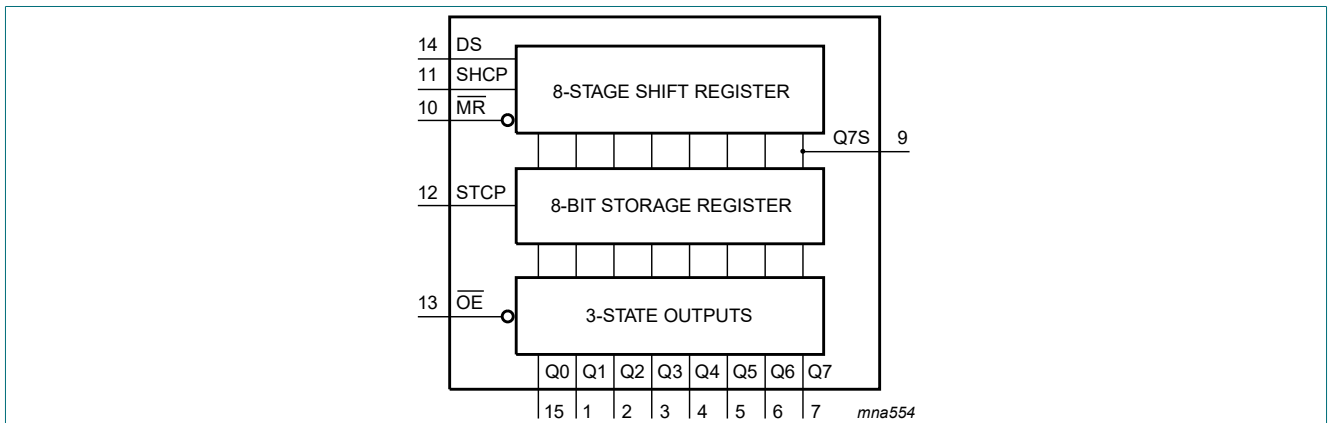


Fig. 1. Functional diagram

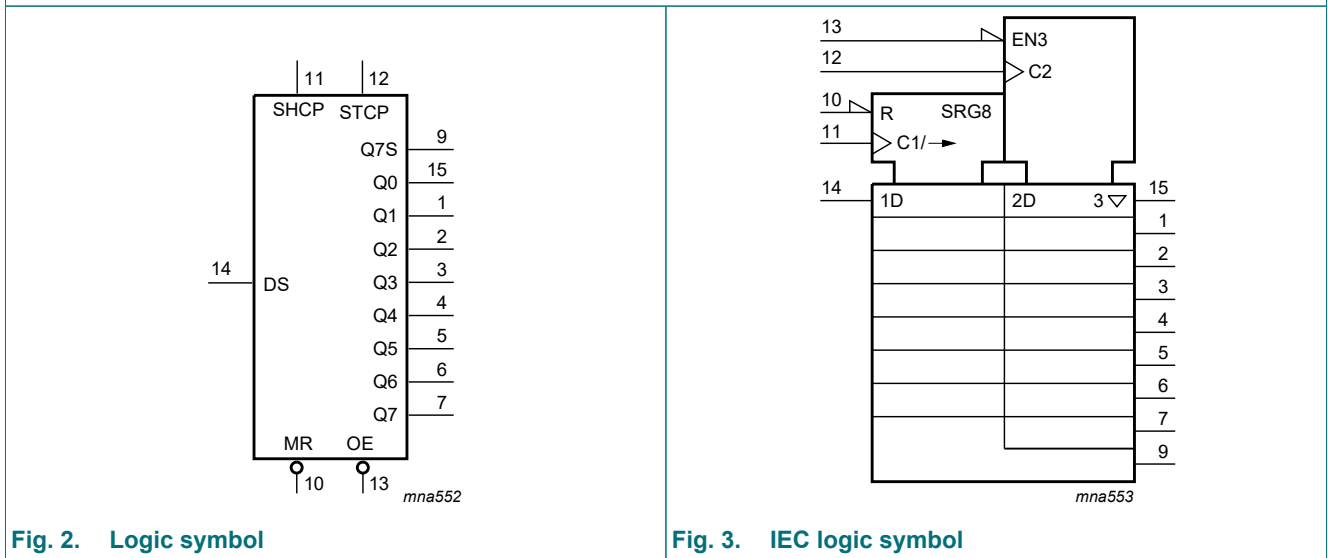


Fig. 2. Logic symbol

Fig. 3. IEC logic symbol

8-bit serial-in, serial or parallel-out shift register with output latches; 3-state

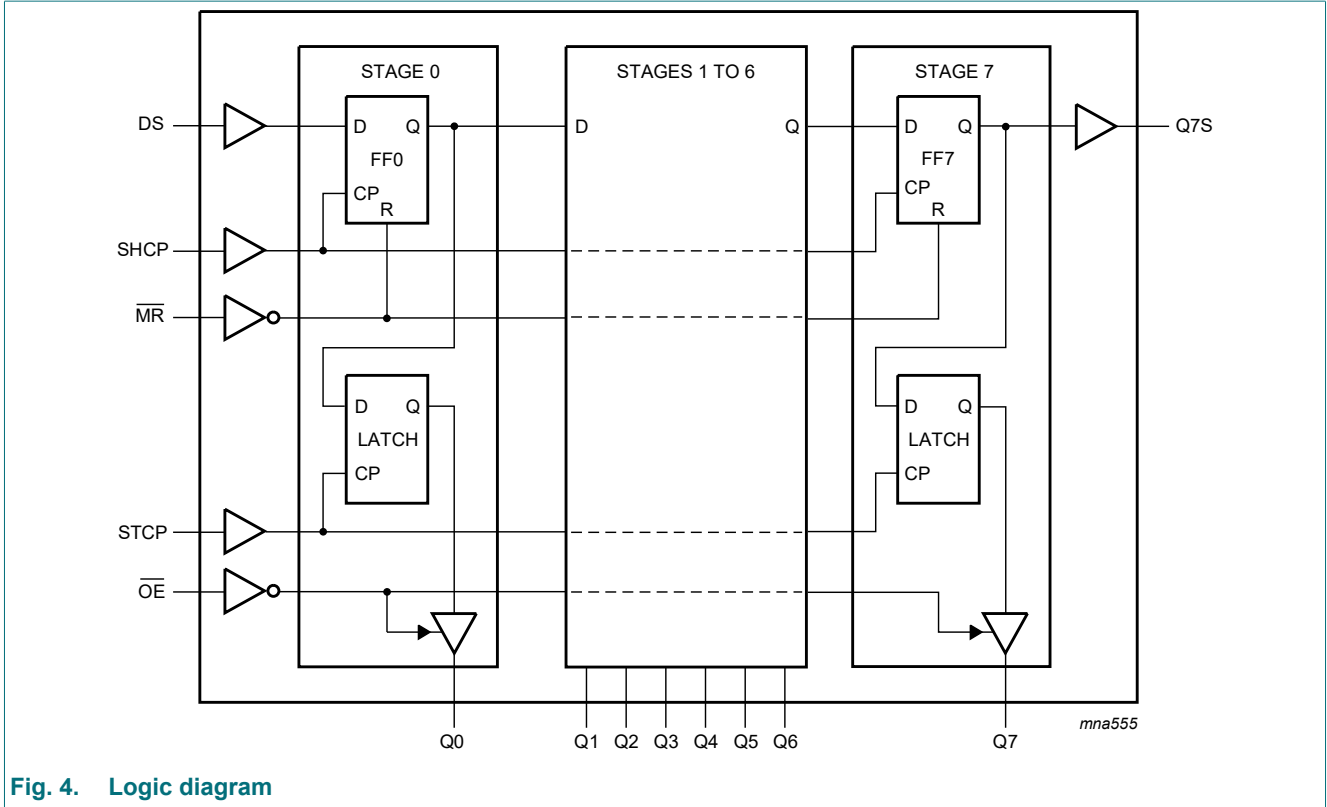


Fig. 4. Logic diagram

6. Pinning information

6.1. Pinning

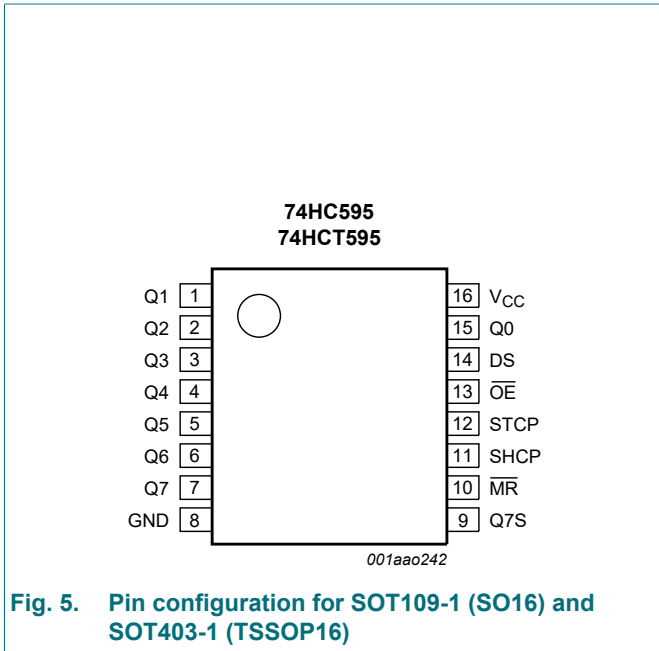


Fig. 5. Pin configuration for SOT109-1 (SO16) and SOT403-1 (TSSOP16)

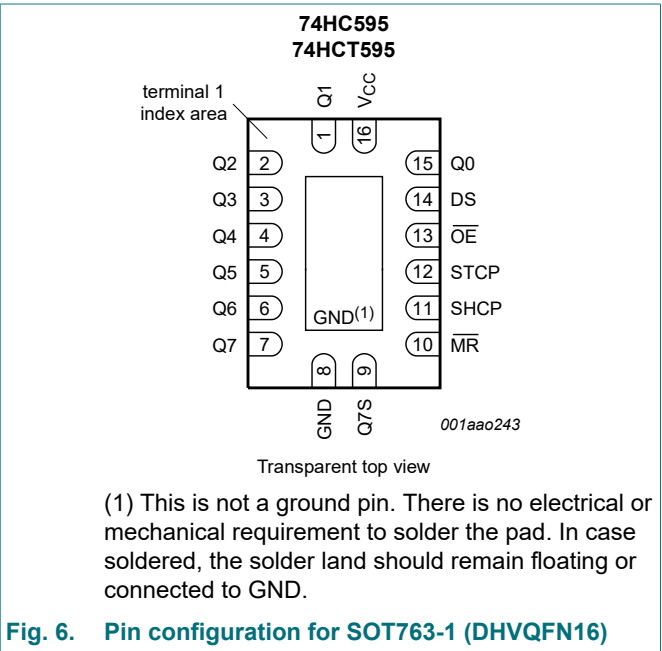
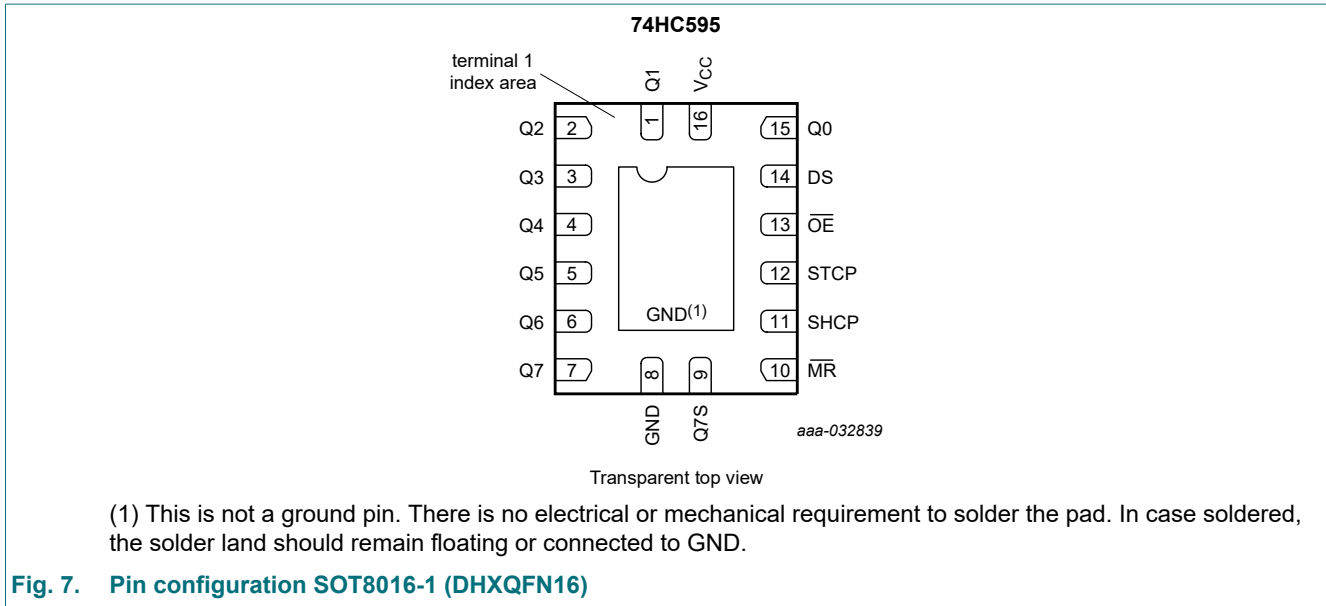


Fig. 6. Pin configuration for SOT763-1 (DHVQFN16)

8-bit serial-in, serial or parallel-out shift register with output latches; 3-state



6.2. Pin description

Table 2. Pin description

Symbol	Pin	Description
Q0, Q1, Q2, Q3, Q4, Q5, Q6, Q7	15, 1, 2, 3, 4, 5, 6, 7	parallel data output
GND	8	ground (0 V)
Q7S	9	serial data output
MR	10	master reset (active LOW)
SHCP	11	shift register clock input
STCP	12	storage register clock input
OE	13	output enable input (active LOW)
DS	14	serial data input
Q0	15	parallel data output 0
V _{CC}	16	supply voltage

7. Functional description

Table 3. Function table

H = HIGH voltage state; L = LOW voltage state; ↑ = LOW-to-HIGH transition;
 X = don't care; NC = no change; Z = high-impedance OFF-state.

Control				Input	Output		Function
SHCP	STCP	OE	MR	DS	Q7S	Qn	
X	X	L	L	X	L	NC	a LOW-level on MR only affects the shift registers
X	↑	L	L	X	L	L	empty shift register loaded into storage register
X	X	H	L	X	L	Z	shift register clear; parallel outputs in high-impedance OFF-state
↑	X	L	H	H	Q6S	NC	logic HIGH-level shifted into shift register stage 0. Contents of all shift register stages shifted through, e.g. previous state of stage 6 (internal Q6S) appears on the serial output (Q7S).
X	↑	L	H	X	NC	QnS	contents of shift register stages (internal QnS) are transferred to the storage register and parallel output stages
↑	↑	L	H	X	Q6S	QnS	contents of shift register shifted through; previous contents of the shift register is transferred to the storage register and the parallel output stages

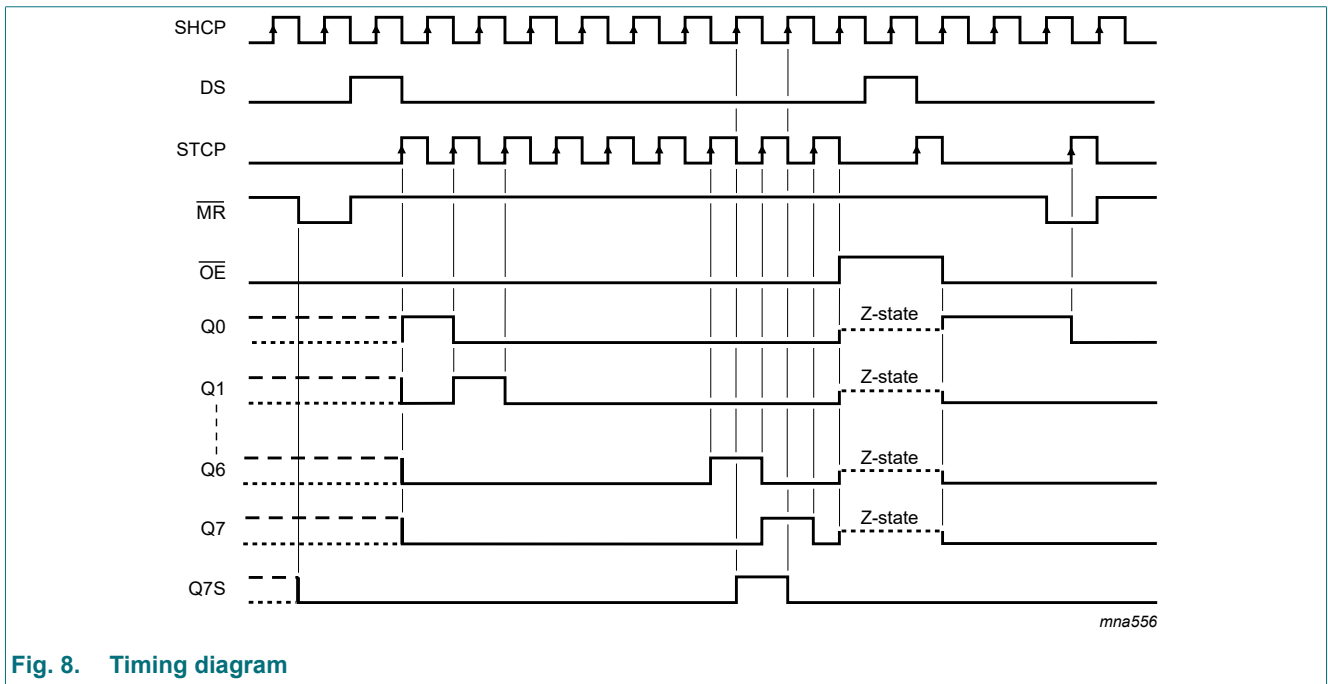


Fig. 8. Timing diagram

8. Limiting values

Table 4. Limiting values

In accordance with the Absolute Maximum Rating System (IEC 60134). Voltages are referenced to GND (ground = 0 V).

Symbol	Parameter	Conditions	Min	Max	Unit
V_{CC}	supply voltage		-0.5	+7	V
I_{IK}	input clamping current	$V_I < -0.5\text{ V}$ or $V_I > V_{CC} + 0.5\text{ V}$	-	± 20	mA
I_{OK}	output clamping current	$V_O < -0.5\text{ V}$ or $V_O > V_{CC} + 0.5\text{ V}$	-	± 20	mA
I_O	output current	$V_O = -0.5\text{ V}$ to $(V_{CC} + 0.5\text{ V})$			
		pin Q7S	-	± 25	mA
		pins Qn	-	± 35	mA
I_{CC}	supply current		-	70	mA
I_{GND}	ground current		-70	-	mA
T_{stg}	storage temperature		-65	+150	°C
P_{tot}	total power dissipation	SOT109-1; SOT403-1; SOT763-1 [1]	-	500	mW
		SOT8016-1	-	250	mW

- [1] For SOT109-1 (SO16) package: P_{tot} derates linearly with 12.4 mW/K above 110 °C.
 For SOT403-1 (TSSOP16) package: P_{tot} derates linearly with 8.5 mW/K above 91 °C.
 For SOT763-1 (DHVQFN16) package: P_{tot} derates linearly with 11.2 mW/K above 106 °C.

9. Recommended operating conditions

Table 5. Recommended operating conditions

Symbol	Parameter	Conditions	74HC595			74HCT595			Unit
			Min	Typ	Max	Min	Typ	Max	
V_{CC}	supply voltage		2.0	5.0	6.0	4.5	5.0	5.5	V
V_I	input voltage		0	-	V_{CC}	0	-	V_{CC}	V
V_O	output voltage		0	-	V_{CC}	0	-	V_{CC}	V
$\Delta t/\Delta V$	input transition rise and fall rate	$V_{CC} = 2.0\text{ V}$	-	-	625	-	-	-	ns/V
		$V_{CC} = 4.5\text{ V}$	-	1.67	139	-	1.67	139	ns/V
		$V_{CC} = 6.0\text{ V}$	-	-	83	-	-	-	ns/V
T_{amb}	ambient temperature		-40	+25	+125	-40	+25	+125	°C

10. Static characteristics

Table 6. Static characteristics

At recommended operating conditions; voltages are referenced to GND (ground = 0 V).

Symbol	Parameter	Conditions	-40 °C to +85 °C			-40 °C to +125 °C		Unit
			Min	Typ	Max	Min	Max	
74HC595								
V _{IH}	HIGH-level input voltage	V _{CC} = 2.0 V	1.5	1.2	-	1.5	-	V
		V _{CC} = 4.5 V	3.15	2.4	-	3.15	-	V
		V _{CC} = 6.0 V	4.2	3.2	-	4.2	-	V
V _{IL}	LOW-level input voltage	V _{CC} = 2.0 V	-	0.8	0.5	-	0.5	V
		V _{CC} = 4.5 V	-	2.1	1.35	-	1.35	V
		V _{CC} = 6.0 V	-	2.8	1.8	-	1.8	V
V _{OH}	HIGH-level output voltage	V _I = V _{IH} or V _{IL}						
		all outputs						
		I _O = -20 μA; V _{CC} = 2.0 V	1.9	2.0	-	1.9	-	V
		I _O = -20 μA; V _{CC} = 4.5 V	4.4	4.5	-	4.4	-	V
		I _O = -20 μA; V _{CC} = 6.0 V	5.9	6.0	-	5.9	-	V
		Q7S output						
		I _O = -4 mA; V _{CC} = 4.5 V	3.84	4.32	-	3.7	-	V
		I _O = -5.2 mA; V _{CC} = 6.0 V	5.34	5.81	-	5.2	-	V
		Qn bus driver outputs						
I _O = -6 mA; V _{CC} = 4.5 V	3.84	4.32	-	3.7	-	V		
I _O = -7.8 mA; V _{CC} = 6.0 V	5.34	5.81	-	5.2	-	V		
V _{OL}	LOW-level output voltage	V _I = V _{IH} or V _{IL}						
		all outputs						
		I _O = 20 μA; V _{CC} = 2.0 V	-	0	0.1	-	0.1	V
		I _O = 20 μA; V _{CC} = 4.5 V	-	0	0.1	-	0.1	V
		I _O = 20 μA; V _{CC} = 6.0 V	-	0	0.1	-	0.1	V
		Q7S output						
		I _O = 4 mA; V _{CC} = 4.5 V	-	0.15	0.33	-	0.4	V
		I _O = 5.2 mA; V _{CC} = 6.0 V	-	0.16	0.33	-	0.4	V
		Qn bus driver outputs						
I _O = 6 mA; V _{CC} = 4.5 V	-	0.15	0.33	-	0.4	V		
I _O = 7.8 mA; V _{CC} = 6.0 V	-	0.16	0.33	-	0.4	V		
I _I	input leakage current	V _I = V _{CC} or GND; V _{CC} = 6.0 V	-	-	±1.0	-	±1.0	μA
I _{OZ}	OFF-state output current	V _I = V _{IH} or V _{IL} ; V _{CC} = 6.0 V; V _O = V _{CC} or GND	-	-	±5.0	-	±10	μA
I _{CC}	supply current	V _I = V _{CC} or GND; I _O = 0 A; V _{CC} = 6.0 V	-	-	80	-	160	μA
C _I	input capacitance		-	3.5	-	-	-	pF

8-bit serial-in, serial or parallel-out shift register with output latches; 3-state

Symbol	Parameter	Conditions	-40 °C to +85 °C			-40 °C to +125 °C		Unit
			Min	Typ	Max	Min	Max	
74HCT595								
V _{IH}	HIGH-level input voltage	V _{CC} = 4.5 V to 5.5 V	2.0	1.6	-	2.0	-	V
V _{IL}	LOW-level input voltage	V _{CC} = 4.5 V to 5.5 V	-	1.2	0.8	-	0.8	V
V _{OH}	HIGH-level output voltage	V _I = V _{IH} or V _{IL} ; V _{CC} = 4.5 V						
		all outputs						
		I _O = -20 µA	4.4	4.5	-	4.4	-	V
		Q7S output						
		I _O = -4 mA	3.84	4.32	-	3.7	-	V
V _{OL}	LOW-level output voltage	V _I = V _{IH} or V _{IL} ; V _{CC} = 4.5 V						
		all outputs						
		I _O = 20 µA	-	0	0.1	-	0.1	V
		Q7S output						
		I _O = 4.0 mA	-	0.15	0.33	-	0.4	V
I _I	input leakage current	V _I = V _{CC} or GND; V _{CC} = 5.5 V	-	-	±1.0	-	±1.0	µA
		V _I = V _{IH} or V _{IL} ; V _{CC} = 5.5 V; V _O = V _{CC} or GND	-	-	±5.0	-	±10	µA
		V _I = V _{CC} or GND; I _O = 0 A; V _{CC} = 5.5 V	-	-	80	-	160	µA
		per input pin; other inputs at V _{CC} or GND; I _O = 0 A; V _I = V _{CC} - 2.1 V; V _{CC} = 4.5 V to 5.5 V						
		pins \overline{MR} , SHCP, STCP, \overline{OE}	-	150	675	-	735	µA
C _I	input capacitance	pin DS	-	25	113	-	123	µA
			-	3.5	-	-	-	pF

11. Dynamic characteristics

Table 7. Dynamic characteristics

Voltages are referenced to GND (ground = 0 V); for test circuit see Fig. 14.

Symbol	Parameter	Conditions	25 °C			-40 °C to +85 °C		-40 °C to +125 °C		Unit
			Min	Typ[1]	Max	Min	Max	Min	Max	
74HC595										
t _{pd}	propagation delay	SHCP to Q7S; see Fig. 9 [2]								
		V _{CC} = 2 V	-	52	160	-	200	-	240	ns
		V _{CC} = 4.5 V	-	19	32	-	40	-	48	ns
		V _{CC} = 6 V	-	15	27	-	34	-	41	ns
		STCP to Qn; see Fig. 10 [2]								
		V _{CC} = 2 V	-	55	175	-	220	-	265	ns
		V _{CC} = 4.5 V	-	20	35	-	44	-	53	ns
V _{CC} = 6 V	-	16	30	-	37	-	45	ns		
t _{PHL}	HIGH to LOW propagation delay	MR to Q7S; see Fig. 12								
		V _{CC} = 2 V	-	47	175	-	220	-	265	ns
		V _{CC} = 4.5 V	-	17	35	-	44	-	53	ns
		V _{CC} = 6 V	-	14	30	-	37	-	45	ns
t _{en}	enable time	OE to Qn; see Fig. 13 [3]								
		V _{CC} = 2 V	-	47	150	-	190	-	225	ns
		V _{CC} = 4.5 V	-	17	30	-	38	-	45	ns
		V _{CC} = 6 V	-	14	26	-	33	-	38	ns
t _{dis}	disable time	OE to Qn; see Fig. 13 [4]								
		V _{CC} = 2 V	-	41	150	-	190	-	225	ns
		V _{CC} = 4.5 V	-	15	30	-	38	-	45	ns
		V _{CC} = 6 V	-	12	27	-	33	-	38	ns
t _w	pulse width	SHCP HIGH or LOW; see Fig. 9								
		V _{CC} = 2 V	75	17	-	95	-	110	-	ns
		V _{CC} = 4.5 V	15	6	-	19	-	22	-	ns
		V _{CC} = 6 V	13	5	-	16	-	19	-	ns
		STCP HIGH or LOW; see Fig. 10								
		V _{CC} = 2 V	75	11	-	95	-	110	-	ns
		V _{CC} = 4.5 V	15	4	-	19	-	22	-	ns
		V _{CC} = 6 V	13	3	-	16	-	19	-	ns
		MR LOW; see Fig. 12								
		V _{CC} = 2 V	75	17	-	95	-	110	-	ns
V _{CC} = 4.5 V	15	6	-	19	-	22	-	ns		
V _{CC} = 6 V	13	5	-	16	-	19	-	ns		

8-bit serial-in, serial or parallel-out shift register with output latches; 3-state

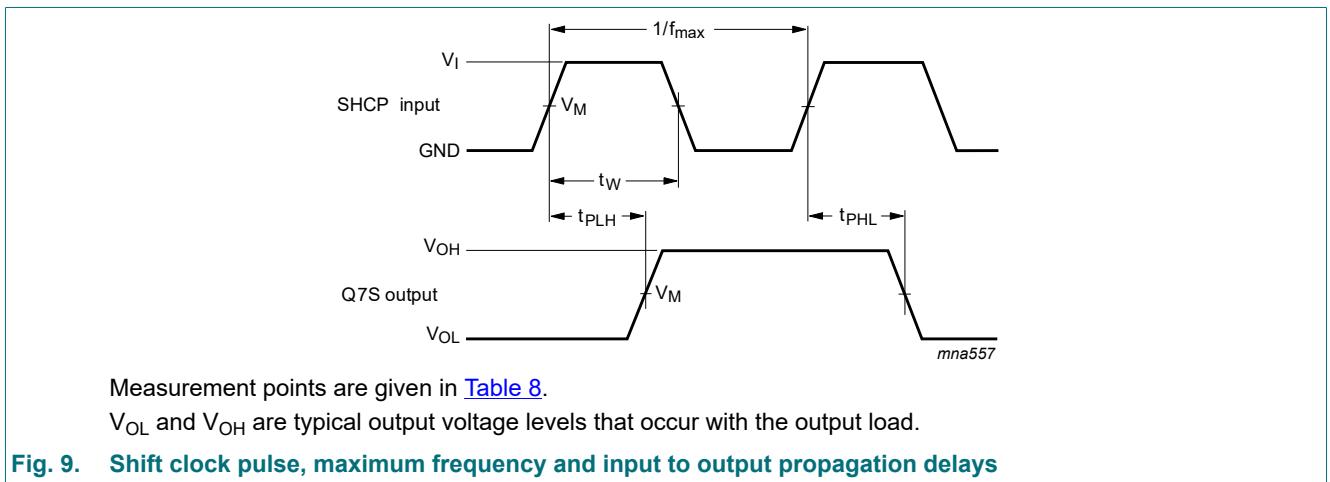
Symbol	Parameter	Conditions	25 °C			-40 °C to +85 °C		-40 °C to +125 °C		Unit
			Min	Typ[1]	Max	Min	Max	Min	Max	
t _{su}	set-up time	DS to SHCP; see Fig. 11								
		V _{CC} = 2 V	50	11	-	65	-	75	-	ns
		V _{CC} = 4.5 V	10	4	-	13	-	15	-	ns
		V _{CC} = 6 V	9	3	-	11	-	13	-	ns
		SHCP to STCP; see Fig. 11								
		V _{CC} = 2 V	75	22	-	95	-	110	-	ns
		V _{CC} = 4.5 V	15	8	-	19	-	22	-	ns
V _{CC} = 6 V	13	7	-	16	-	19	-	ns		
t _h	hold time	DS to SHCP; see Fig. 11								
		V _{CC} = 2 V	3	-6	-	3	-	3	-	ns
		V _{CC} = 4.5 V	3	-2	-	3	-	3	-	ns
		V _{CC} = 6 V	3	-2	-	3	-	3	-	ns
t _{rec}	recovery time	MR to SHCP; see Fig. 12								
		V _{CC} = 2 V	50	-19	-	65	-	75	-	ns
		V _{CC} = 4.5 V	10	-7	-	13	-	15	-	ns
		V _{CC} = 6 V	9	-6	-	11	-	13	-	ns
f _{max}	maximum frequency	SHCP or STCP; see Fig. 9 and Fig. 10								
		V _{CC} = 2 V	9	30	-	4.8	-	4	-	MHz
		V _{CC} = 4.5 V	30	91	-	24	-	20	-	MHz
		V _{CC} = 6 V	35	108	-	28	-	24	-	MHz
C _{PD}	power dissipation capacitance	f _i = 1 MHz; V ₁ = GND to V _{CC} [5] [6]	-	115	-	-	-	-	-	pF
74HCT595; V_{CC} = 4.5 V to 5.5 V										
t _{pd}	propagation delay	SHCP to Q7S; see Fig. 9 [2]	-	25	42	-	53	-	63	ns
		STCP to Qn; see Fig. 10 [2]	-	24	40	-	50	-	60	ns
t _{PHL}	HIGH to LOW propagation delay	MR to Q7S; see Fig. 12	-	23	40	-	50	-	60	ns
t _{en}	enable time	OE to Qn; see Fig. 13 [3]	-	21	35	-	44	-	53	ns
t _{dis}	disable time	OE to Qn; see Fig. 13 [4]	-	18	30	-	38	-	45	ns
t _w	pulse width	SHCP HIGH or LOW; see Fig. 9	16	6	-	20	-	24	-	ns
		STCP HIGH or LOW; see Fig. 10	16	5	-	20	-	24	-	ns
		MR LOW; see Fig. 12	20	8	-	25	-	30	-	ns
t _{su}	set-up time	DS to SHCP; see Fig. 11	16	5	-	20	-	24	-	ns
		SHCP to STCP; see Fig. 11	16	8	-	20	-	24	-	ns

8-bit serial-in, serial or parallel-out shift register with output latches; 3-state

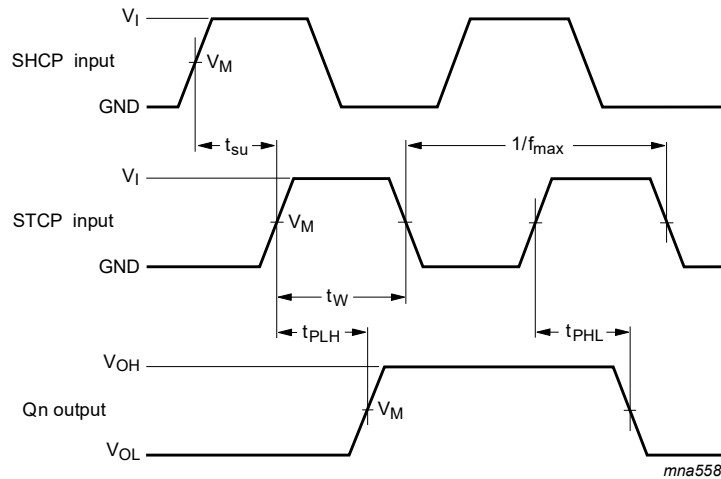
Symbol	Parameter	Conditions	25 °C			-40 °C to +85 °C		-40 °C to +125 °C		Unit
			Min	Typ[1]	Max	Min	Max	Min	Max	
t _h	hold time	DS to SHCP; see Fig. 11	3	-2	-	3	-	3	-	ns
t _{rec}	recovery time	MR to SHCP; see Fig. 12	10	-7	-	13	-	15	-	ns
f _{max}	maximum frequency	SHCP and STCP; see Fig. 9 and Fig. 10	30	52	-	24	-	20	-	MHz
C _{PD}	power dissipation capacitance	f _i = 1 MHz; V _I = GND to V _{CC} - 1.5 V	[5]	130	[6]	-	-	-	-	pF

- [1] Typical values are measured at nominal supply voltage.
- [2] t_{pd} is the same as t_{PHL} and t_{PLH}.
- [3] t_{en} is the same as t_{PZL} and t_{PZH}.
- [4] t_{dis} is the same as t_{PLZ} and t_{PHZ}.
- [5] C_{PD} is used to determine the dynamic power dissipation (P_D in μW).
 $P_D = C_{PD} \times V_{CC}^2 \times f_i + \sum(C_L \times V_{CC}^2 \times f_o)$ where:
 f_i = input frequency in MHz;
 f_o = output frequency in MHz;
 $\sum(C_L \times V_{CC}^2 \times f_o)$ = sum of outputs;
 C_L = output load capacitance in pF;
 V_{CC} = supply voltage in V.
- [6] All 9 outputs switching.

11.1. Waveforms and test circuit

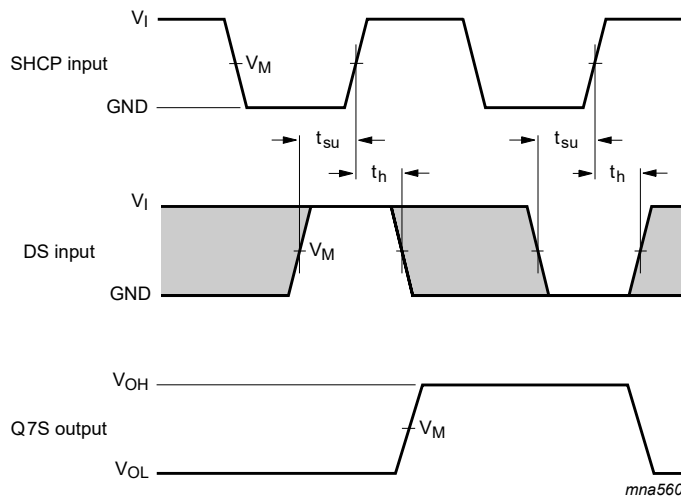


8-bit serial-in, serial or parallel-out shift register with output latches; 3-state



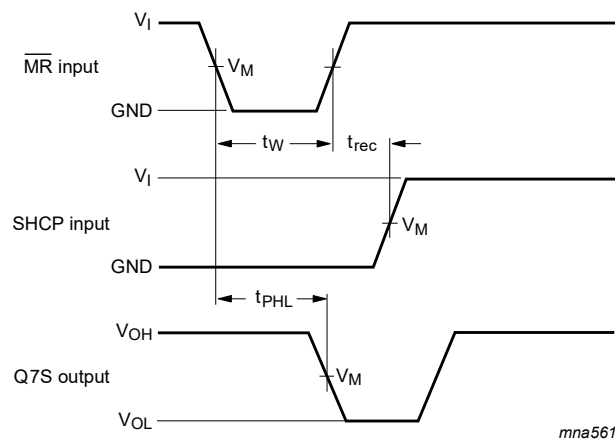
Measurement points are given in [Table 8](#).
 V_{OL} and V_{OH} are typical output voltage levels that occur with the output load.

Fig. 10. Storage clock to output propagation delays



Measurement points are given in [Table 8](#).
 The shaded areas indicate when the input is permitted to change for predictable output performance.
 V_{OL} and V_{OH} are typical output voltage levels that occur with the output load.

Fig. 11. Data set-up and hold times



Measurement points are given in [Table 8](#).
 V_{OL} and V_{OH} are typical output voltage levels that occur with the output load.

Fig. 12. Master reset to output propagation delays

8-bit serial-in, serial or parallel-out shift register with output latches; 3-state

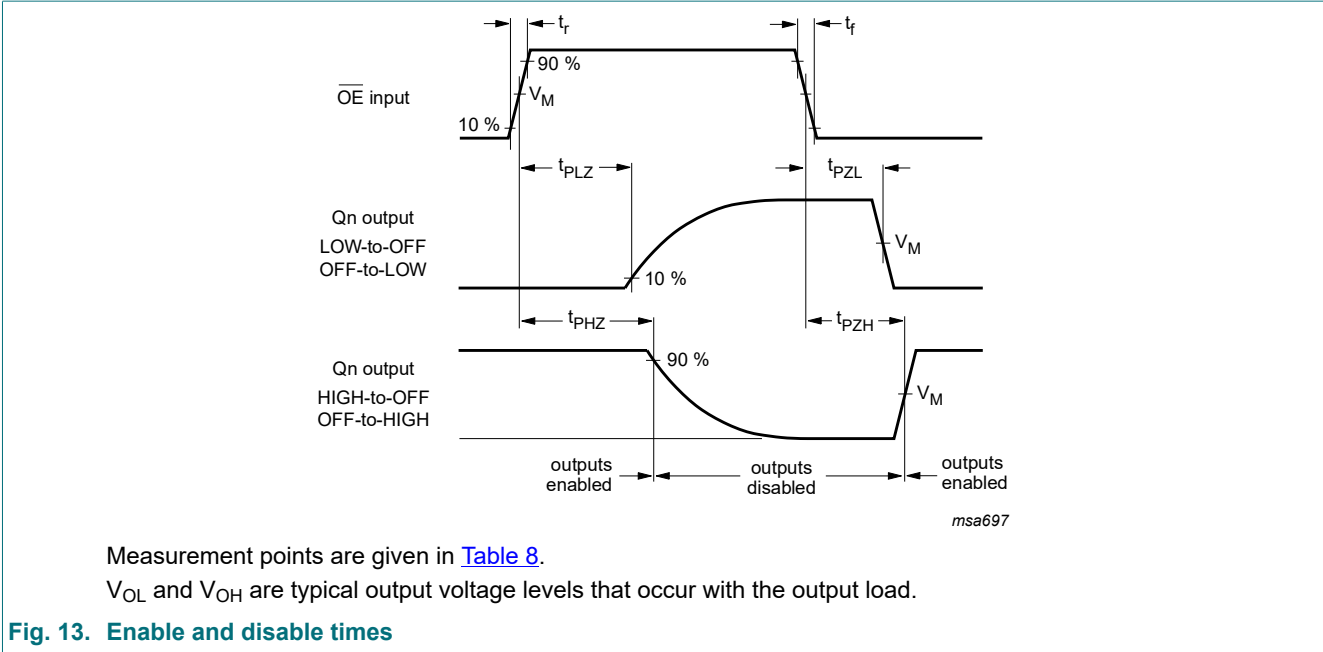


Table 8. Measurement points

Type	Input	Output
	V_M	V_M
74HC595	$0.5V_{CC}$	$0.5V_{CC}$
74HCT595	1.3 V	1.3 V

8-bit serial-in, serial or parallel-out shift register with output latches; 3-state

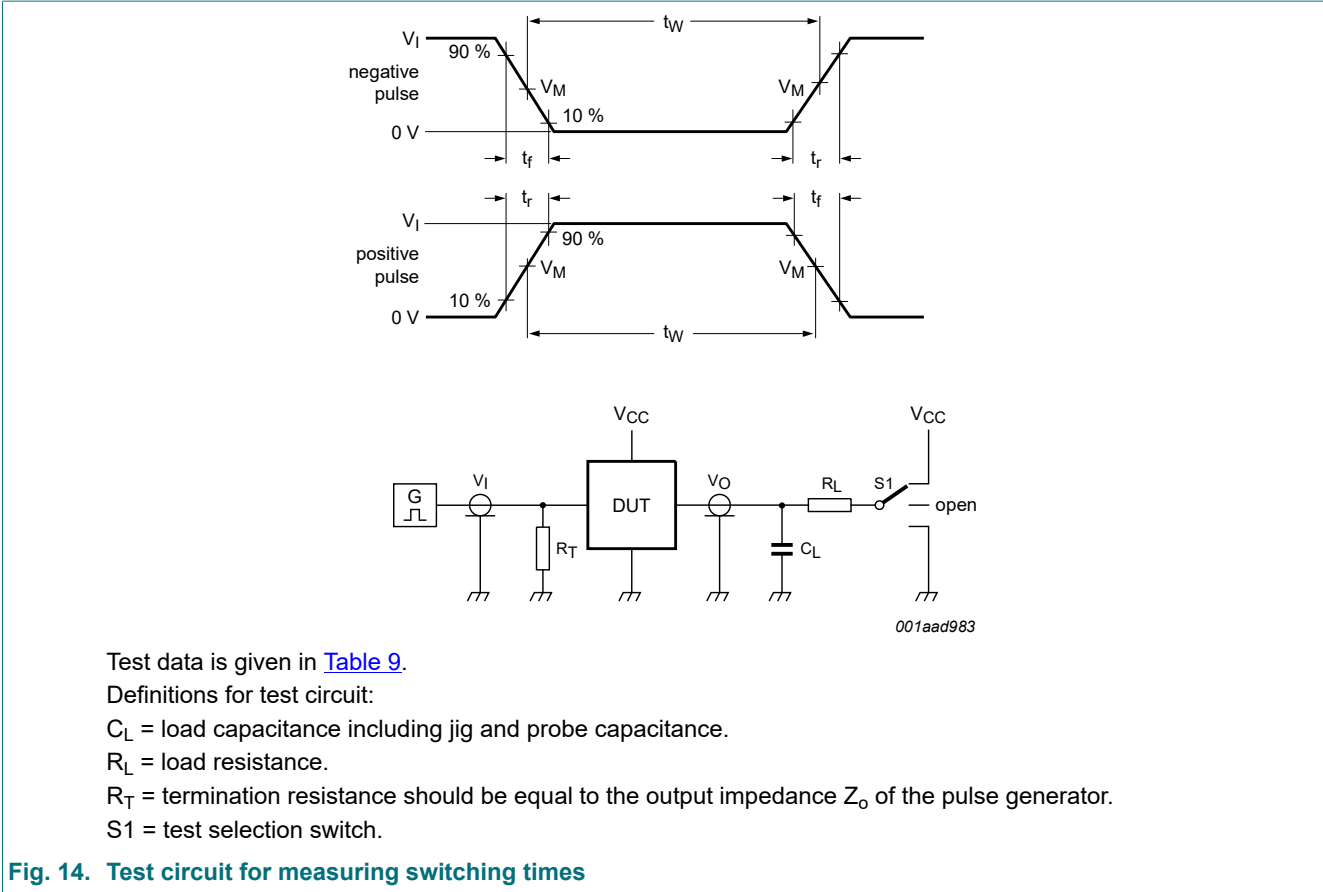


Fig. 14. Test circuit for measuring switching times

Table 9. Test data

Type	Input		Load		S1 position		
	V_I	t_r, t_f	C_L	R_L	t_{PHL}, t_{PLH}	t_{PZH}, t_{PHZ}	t_{PZL}, t_{PLZ}
74HC595	V_{CC}	6 ns	50 pF	1 k Ω	open	GND	V_{CC}
74HCT595	3 V	6 ns	50 pF	1 k Ω	open	GND	V_{CC}

12. Package outline

SO16: plastic small outline package; 16 leads; body width 3.9 mm

SOT109-1



Fig. 15. Package outline SOT109-1 (SO16)

TSSOP16: plastic thin shrink small outline package; 16 leads; body width 4.4 mm

SOT403-1

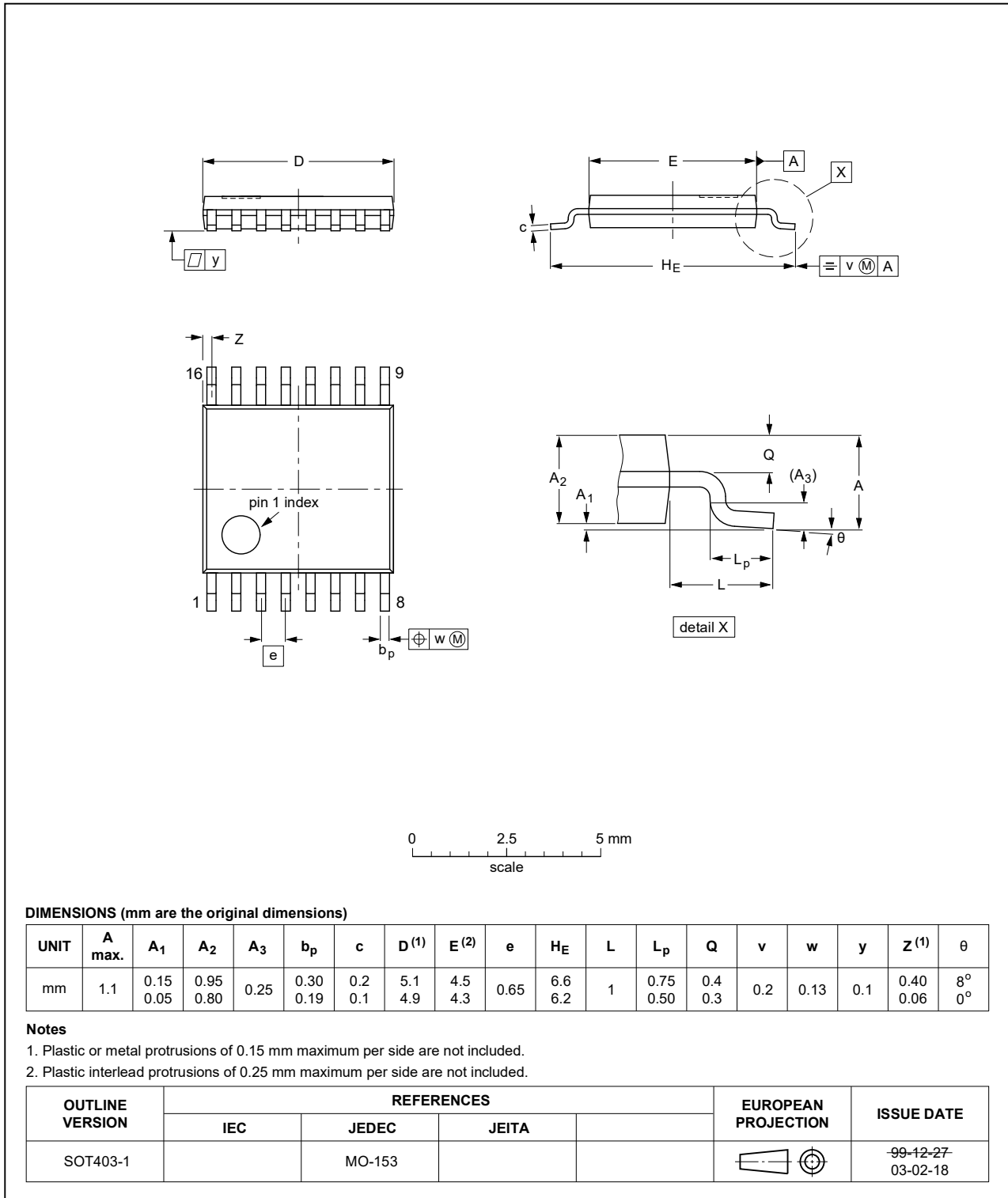


Fig. 16. Package outline SOT403-1 (TSSOP16)

DHVQFN16: plastic dual in-line compatible thermal enhanced very thin quad flat package; no leads; 16 terminals; body 2.5 x 3.5 x 0.85 mm

SOT763-1



Fig. 17. Package outline SOT763-1 (DHVQFN16)

DHXQFN16: plastic, leadless dual in-line compatible thermal enhanced extreme thin quad flat package; no leads; 16 terminals; 0.4 mm pitch; body 2 mm x 2.4 mm x 0.48 mm

SOT8016-1

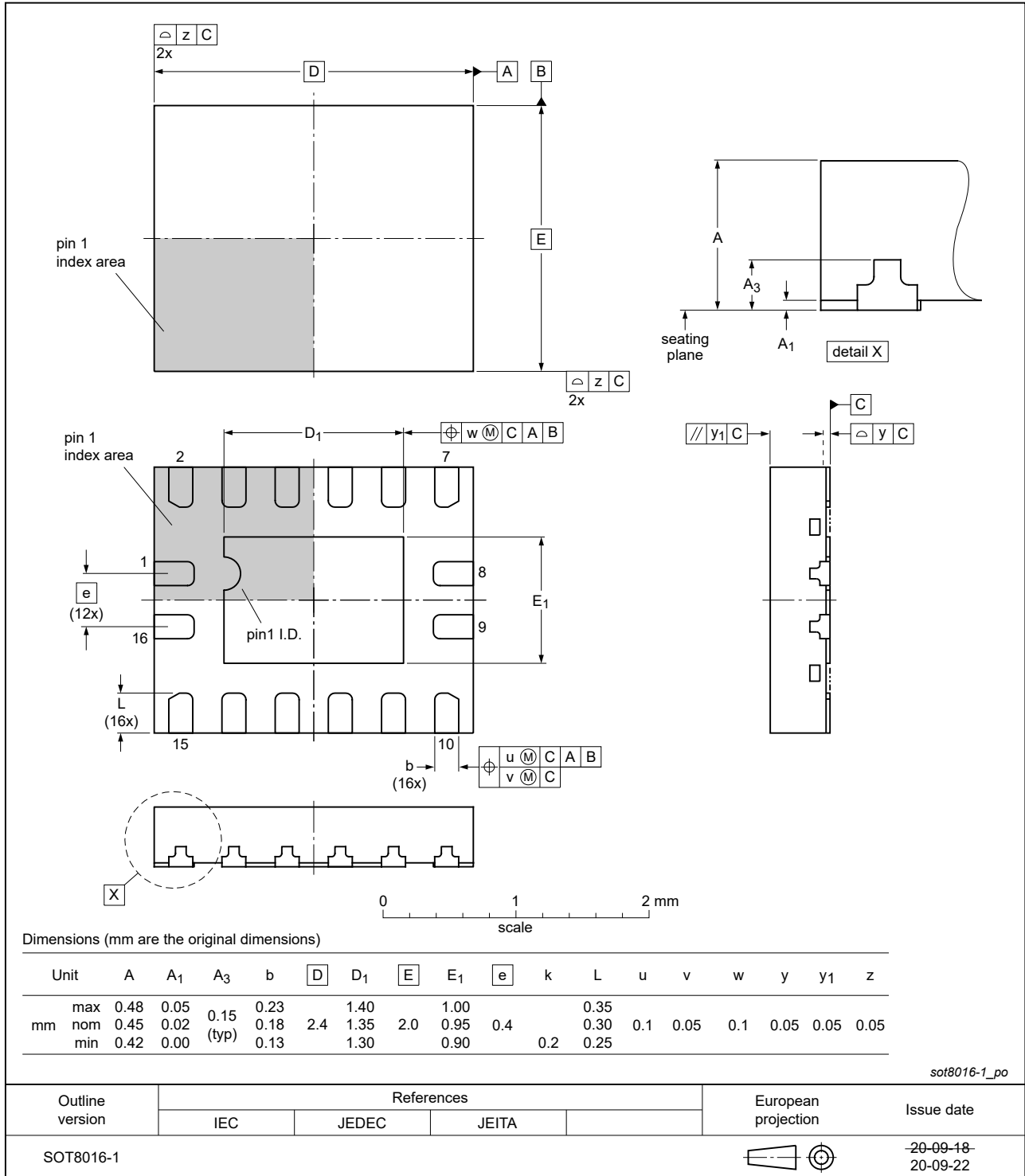


Fig. 18. Package outline SOT8016-1 (DHXQFN16)

13. Abbreviations

Table 10. Abbreviations

Acronym	Description
CMOS	Complementary Metal-Oxide Semiconductor
DUT	Device Under Test
ESD	ElectroStatic Discharge
HBM	Human Body Model
MM	Machine Model
TTL	Transistor-Transistor Logic

14. Revision history

Table 11. Revision history

Document ID	Release date	Data sheet status	Change notice	Supersedes
74HC_HCT595 v.11	20210910	Product data sheet	-	74HC_HCT595 v.10
Modifications:	<ul style="list-style-type: none"> Type numbers 74HC595DB and 74HCT595DB (SOT338-1/SSOP16) removed. Section 2 updated. 			
74HC_HCT595 v.10	20210429	Product data sheet	-	74HC_HCT595 v.9
Modifications:	<ul style="list-style-type: none"> Type number 74HC595BZ (SOT8016-1 / DHXQFN16) added. Table 4: Derating values for P_{tot} total power dissipation updated. 			
74HC_HCT595 v.9	20170228	Product data sheet	-	74HC_HCT595 v.8
Modifications:	<ul style="list-style-type: none"> The format of this data sheet has been redesigned to comply with the identity guidelines of Nexperia. Legal texts have been adapted to the new company name where appropriate. 			
74HC_HCT595 v.8	20160225	Product data sheet	-	74HC_HCT595 v.7
Modifications:	<ul style="list-style-type: none"> Type numbers 74HC595N and 74HCT595N (SOT38-4) removed. 			
74HC_HCT595 v.7	20150126	Product data sheet	-	74HC_HCT595 v.6
Modifications:	<ul style="list-style-type: none"> Table 7: Power dissipation capacitance condition for 74HCT595 is corrected. 			
74HC_HCT595 v.6	20111212	Product data sheet	-	74HC_HCT595 v.5
Modifications:	<ul style="list-style-type: none"> Legal pages updated. 			
74HC_HCT595 v.5	20110628	Product data sheet	-	74HC_HCT595 v.4
74HC_HCT595 v.4	20030604	Product specification	-	74HC_HCT595_CNV v.3
74HC_HCT595_CNV v.3	19980604	Product specification	-	-

15. Legal information

Data sheet status

Document status [1][2]	Product status [3]	Definition
Objective [short] data sheet	Development	This document contains data from the objective specification for product development.
Preliminary [short] data sheet	Qualification	This document contains data from the preliminary specification.
Product [short] data sheet	Production	This document contains the product specification.

- [1] Please consult the most recently issued document before initiating or completing a design.
- [2] The term 'short data sheet' is explained in section "Definitions".
- [3] The product status of device(s) described in this document may have changed since this document was published and may differ in case of multiple devices. The latest product status information is available on the internet at <https://www.nexperia.com>.

Definitions

Draft — The document is a draft version only. The content is still under internal review and subject to formal approval, which may result in modifications or additions. Nexperia does not give any representations or warranties as to the accuracy or completeness of information included herein and shall have no liability for the consequences of use of such information.

Short data sheet — A short data sheet is an extract from a full data sheet with the same product type number(s) and title. A short data sheet is intended for quick reference only and should not be relied upon to contain detailed and full information. For detailed and full information see the relevant full data sheet, which is available on request via the local Nexperia sales office. In case of any inconsistency or conflict with the short data sheet, the full data sheet shall prevail.

Product specification — The information and data provided in a Product data sheet shall define the specification of the product as agreed between Nexperia and its customer, unless Nexperia and customer have explicitly agreed otherwise in writing. In no event however, shall an agreement be valid in which the Nexperia product is deemed to offer functions and qualities beyond those described in the Product data sheet.

Disclaimers

Limited warranty and liability — Information in this document is believed to be accurate and reliable. However, Nexperia does not give any representations or warranties, expressed or implied, as to the accuracy or completeness of such information and shall have no liability for the consequences of use of such information. Nexperia takes no responsibility for the content in this document if provided by an information source outside of Nexperia.

In no event shall Nexperia be liable for any indirect, incidental, punitive, special or consequential damages (including - without limitation - lost profits, lost savings, business interruption, costs related to the removal or replacement of any products or rework charges) whether or not such damages are based on tort (including negligence), warranty, breach of contract or any other legal theory.

Notwithstanding any damages that customer might incur for any reason whatsoever, Nexperia's aggregate and cumulative liability towards customer for the products described herein shall be limited in accordance with the Terms and conditions of commercial sale of Nexperia.

Right to make changes — Nexperia reserves the right to make changes to information published in this document, including without limitation specifications and product descriptions, at any time and without notice. This document supersedes and replaces all information supplied prior to the publication hereof.

Suitability for use — Nexperia products are not designed, authorized or warranted to be suitable for use in life support, life-critical or safety-critical systems or equipment, nor in applications where failure or malfunction of an Nexperia product can reasonably be expected to result in personal

injury, death or severe property or environmental damage. Nexperia and its suppliers accept no liability for inclusion and/or use of Nexperia products in such equipment or applications and therefore such inclusion and/or use is at the customer's own risk.

Quick reference data — The Quick reference data is an extract of the product data given in the Limiting values and Characteristics sections of this document, and as such is not complete, exhaustive or legally binding.

Applications — Applications that are described herein for any of these products are for illustrative purposes only. Nexperia makes no representation or warranty that such applications will be suitable for the specified use without further testing or modification.

Customers are responsible for the design and operation of their applications and products using Nexperia products, and Nexperia accepts no liability for any assistance with applications or customer product design. It is customer's sole responsibility to determine whether the Nexperia product is suitable and fit for the customer's applications and products planned, as well as for the planned application and use of customer's third party customer(s). Customers should provide appropriate design and operating safeguards to minimize the risks associated with their applications and products.

Nexperia does not accept any liability related to any default, damage, costs or problem which is based on any weakness or default in the customer's applications or products, or the application or use by customer's third party customer(s). Customer is responsible for doing all necessary testing for the customer's applications and products using Nexperia products in order to avoid a default of the applications and the products or of the application or use by customer's third party customer(s). Nexperia does not accept any liability in this respect.

Limiting values — Stress above one or more limiting values (as defined in the Absolute Maximum Ratings System of IEC 60134) will cause permanent damage to the device. Limiting values are stress ratings only and (proper) operation of the device at these or any other conditions above those given in the Recommended operating conditions section (if present) or the Characteristics sections of this document is not warranted. Constant or repeated exposure to limiting values will permanently and irreversibly affect the quality and reliability of the device.

Terms and conditions of commercial sale — Nexperia products are sold subject to the general terms and conditions of commercial sale, as published at <http://www.nexperia.com/profile/terms>, unless otherwise agreed in a valid written individual agreement. In case an individual agreement is concluded only the terms and conditions of the respective agreement shall apply. Nexperia hereby expressly objects to applying the customer's general terms and conditions with regard to the purchase of Nexperia products by customer.

No offer to sell or license — Nothing in this document may be interpreted or construed as an offer to sell products that is open for acceptance or the grant, conveyance or implication of any license under any copyrights, patents or other industrial or intellectual property rights.

Export control — This document as well as the item(s) described herein may be subject to export control regulations. Export might require a prior authorization from competent authorities.

Non-automotive qualified products — Unless this data sheet expressly states that this specific Nexperia product is automotive qualified, the product is not suitable for automotive use. It is neither qualified nor tested in accordance with automotive testing or application requirements. Nexperia accepts no liability for inclusion and/or use of non-automotive qualified products in automotive equipment or applications.

In the event that customer uses the product for design-in and use in automotive applications to automotive specifications and standards, customer (a) shall use the product without Nexperia's warranty of the product for such automotive applications, use and specifications, and (b) whenever customer uses the product for automotive applications beyond Nexperia's specifications such use shall be solely at customer's own risk, and (c) customer fully indemnifies Nexperia for any liability, damages or failed product claims resulting from customer design and use of the product for automotive applications beyond Nexperia's standard warranty and Nexperia's product specifications.

Translations — A non-English (translated) version of a document is for reference only. The English version shall prevail in case of any discrepancy between the translated and English versions.

Trademarks

Notice: All referenced brands, product names, service names and trademarks are the property of their respective owners.

Contents

1. General description	1
2. Features and benefits	1
3. Applications	1
4. Ordering information	2
5. Functional diagram	2
6. Pinning information	3
6.1. Pinning.....	3
6.2. Pin description.....	4
7. Functional description	5
8. Limiting values	6
9. Recommended operating conditions	6
10. Static characteristics	7
11. Dynamic characteristics	9
11.1. Waveforms and test circuit.....	11
12. Package outline	15
13. Abbreviations	19
14. Revision history	19
15. Legal information	20

© Nexperia B.V. 2021. All rights reserved

For more information, please visit: <http://www.nexperia.com>

For sales office addresses, please send an email to: salesaddresses@nexperia.com

Date of release: 10 September 2021

单击下面可查看定价，库存，交付和生命周期等信息

[>>Nexperia\(安世\)](#)