

74ALVCH16600

18-bit universal bus transceiver; 3-state

Rev. 3 — 15 January 2018

Product data sheet

1 General description

The 74ALVCH16600 is an 18-bit universal transceiver featuring non-inverting 3-state bus compatible outputs in both send and receive directions. Data flow in each direction is controlled by output enable (\overline{OEAB} and \overline{OEBA}), latch enable (LEAB and LEBA), and clock (\overline{CPAB} and \overline{CPBA}) inputs. For A-to-B data flow, the device operates in the transparent mode when LEAB is HIGH. When LEAB is LOW, the A data is latched if \overline{CPAB} is held at a HIGH or LOW logic level. If LEAB is LOW, the A-bus data is stored in the flip-flop on the HIGH-to-LOW transition of \overline{CPAB} . When \overline{OEAB} is LOW, the outputs are active. When \overline{OEAB} is HIGH, the outputs are in the high-impedance state. The HIGH clock can be controlled with the clock-enable inputs (\overline{CEBA} and \overline{CEAB}).

Data flow for B-to-A is similar to that of A-to-B, but uses \overline{OEBA} , LEBA and \overline{CPBA} .

To ensure the high impedance state during power up or power down, \overline{OEBA} and \overline{OEAB} should be tied to V_{CC} through a pullup resistor; the minimum value of the resistor is determined by the current-sinking/current-sourcing capability of the driver.

Active bus hold circuitry is provided to hold unused or floating data inputs at a valid logic level.

2 Features and benefits

- CMOS low power consumption
- MultiByte flow-through standard pin-out architecture
- Low inductance multiple V_{CC} and GND pins for minimum noise and ground bounce
- Direct interface with TTL levels (2.7 V to 3.6 V)
- Bus hold on data inputs
- Output drive capability 50 Ω transmission lines at 85 °C
- Current drive ± 24 mA at 3.0 V
- Complies with JEDEC standards:
 - JESD8-5 (2.3 V to 2.7 V)
 - JESD8B/JESD36 (2.7 V to 3.6 V)
- ESD protection:
 - HBM ANSI/ESDA/JEDEC JS-001 exceeds 2000 V
 - CDM JESD22-C101E exceeds 1000 V

nexperia

3 Ordering information

Table 1. Ordering information

| Type number | Package | | | Version |
|-----------------|-------------------|---------|--|----------|
| | Temperature range | Name | Description | |
| 74ALVCH16600DGG | -40 °C to +85 °C | TSSOP56 | plastic thin shrink small outline package; 56 leads; body width 6.1 mm | SOT364-1 |

4 Functional diagram

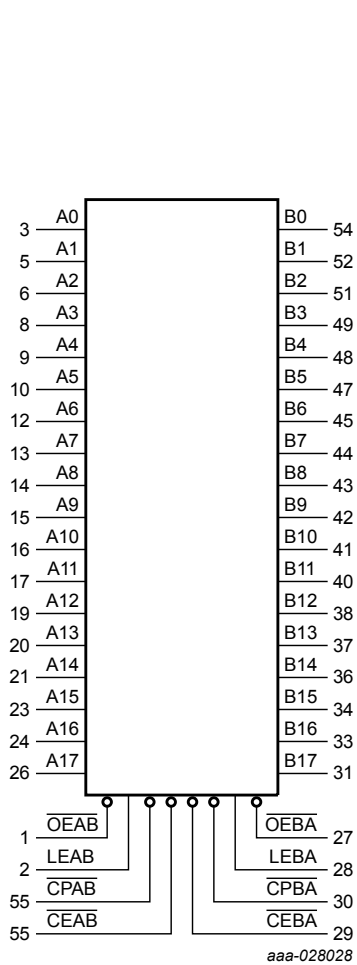


Figure 1. Logic symbol

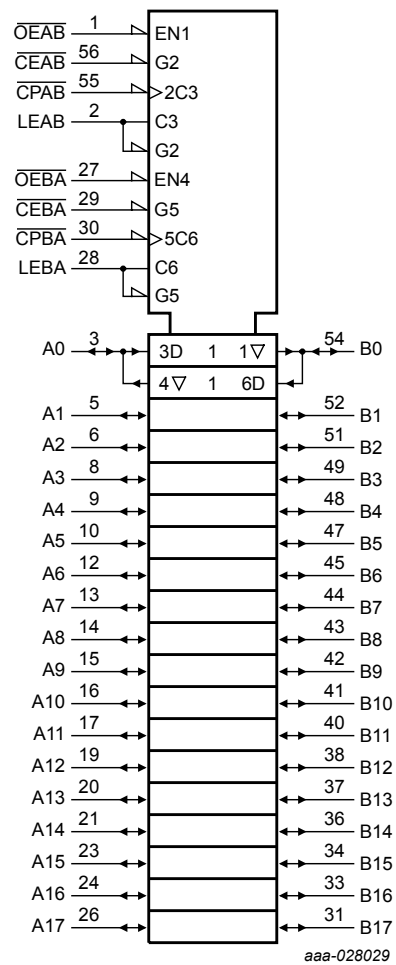


Figure 2. IEC logic symbol

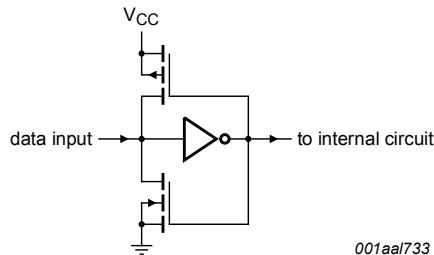


Figure 3. Bus hold circuit

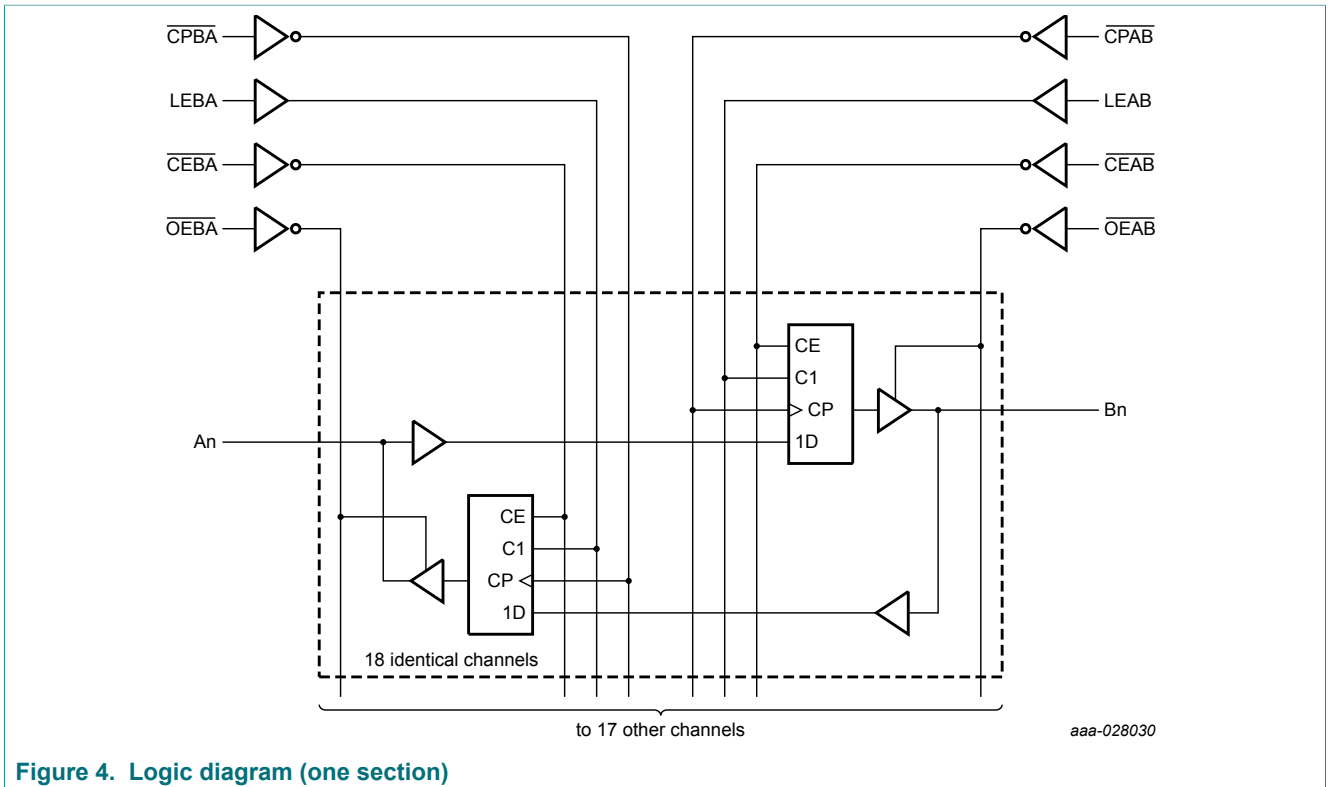


Figure 4. Logic diagram (one section)

5 Pinning information

5.1 Pinning

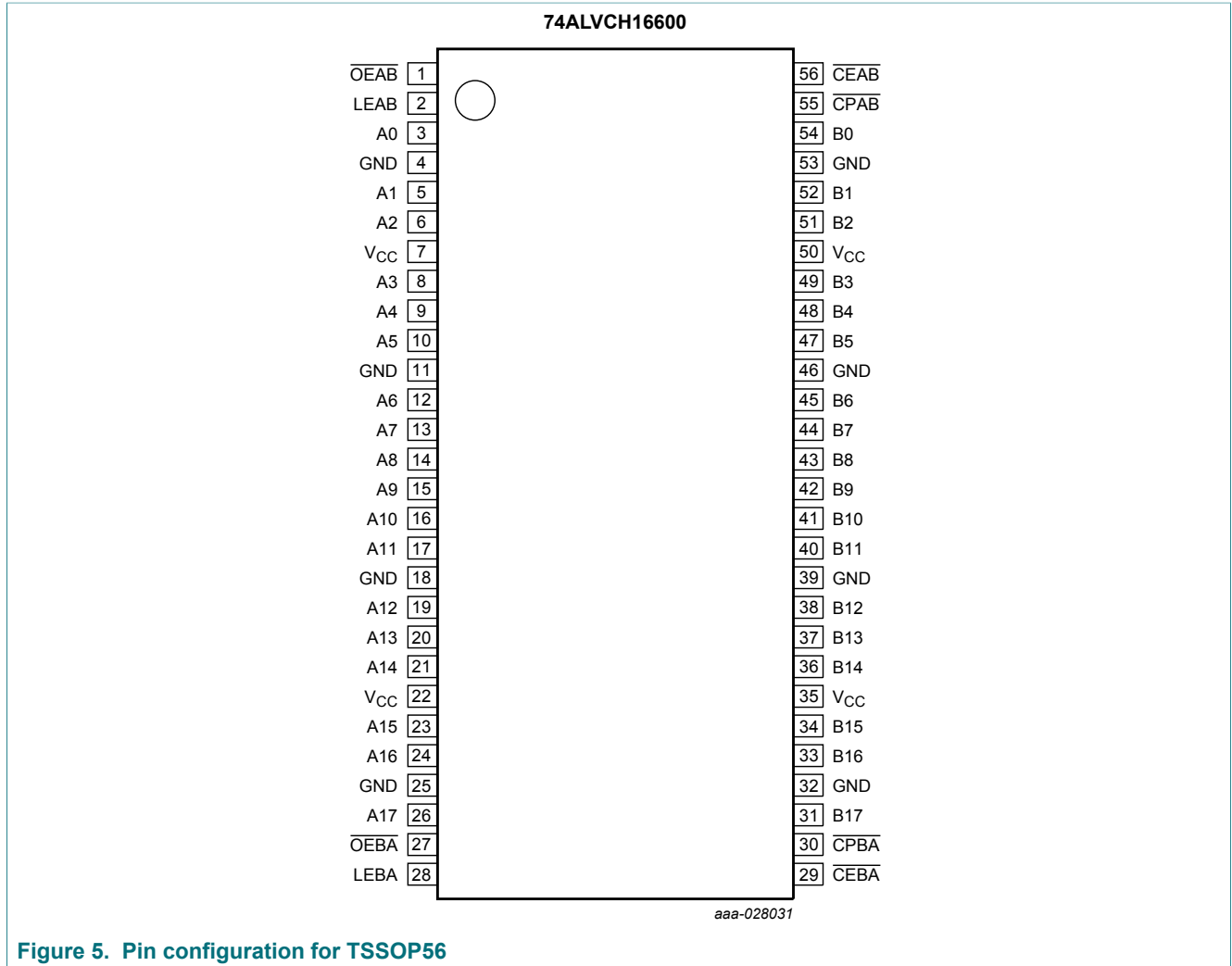


Figure 5. Pin configuration for TSSOP56

5.2 Pin description

Table 2. Pin description

| Symbol | Pin | Description |
|--|--|---|
| A0, A1, A2, A3, A4, A5, A6, A7, A8, A9, A10, A11, A12, A13, A14, A15, A16, A17 | 3, 5, 6, 8, 9, 10, 12, 13, 14, 15, 16, 17, 19, 20, 21, 23, 24, 26 | data inputs/outputs |
| B0, B1, B2, B3, B4, B5, B6, B7, B8, B9, B10, B11, B12, B13, B14, B15, B16, B17 | 54, 52, 51, 49, 48, 47, 45, 44, 43, 42, 41, 40, 38, 37, 36, 34, 33, 31 | data outputs/inputs |
| \overline{OEAB} , \overline{OEBA} | 1, 27 | A to B / B to A output enable input (active LOW) |
| LEAB, LEBA | 2, 28 | A to B / B to A latch enable inputs (active HIGH) |
| \overline{CPBA} , \overline{CPAB} | 30, 55 | B to A / A to B clock inputs (active LOW) |
| \overline{CEBA} , \overline{CEAB} | 29, 56 | B to A / A to B clock enable inputs (active LOW) |
| GND | 4, 11, 18, 25, 32, 39, 46, 53 | ground (0 V) |
| V _{CC} | 7, 22, 35, 50 | supply voltage |

6 Functional description

Table 3. Function selection ^[1] ^[2]

| Operating mode | Inputs | | | | | Outputs |
|----------------------|-------------------|-------------------|------|-------------------|----|---------|
| | \overline{CEAB} | \overline{OEAB} | LEAB | \overline{CPAB} | An | Bn |
| Disabled | X | H | X | X | X | Z |
| Transparent | X | L | H | X | H | H |
| | X | L | H | X | L | L |
| Hold | H | L | L | X | X | NC |
| Clock data & Display | L | L | L | ↓ | h | H |
| | L | L | L | ↓ | l | L |
| Hold data & Display | L | L | L | H | X | NC |
| | L | L | L | L | X | NC |

[1] A-to-B data flow is shown; B-to-A flow is similar but uses \overline{CEBA} , \overline{OEBA} , LEBA, and \overline{CPBA} .

[2] H = HIGH voltage level;

h = HIGH voltage level one set-up time prior to the enable or clock transition;

L = LOW voltage level;

l = LOW voltage level one set-up time prior to the enable or clock transition;

X = don't care;

NC = no change

↓ = HIGH-to-LOW enable or clock transition;

Z = high-impedance OFF-state.

7 Limiting values

Table 4. Limiting values

In accordance with the Absolute Maximum Rating System (IEC 60134). Voltages are referenced to GND (ground = 0 V).

| Symbol | Parameter | Conditions | Min | Max | Unit |
|-----------|-------------------------|---|------|----------------|------|
| V_{CC} | supply voltage | | -0.5 | +4.6 | V |
| V_I | input voltage | data inputs ^[1] | -0.5 | $V_{CC} + 0.5$ | V |
| | | control inputs ^[1] | -0.5 | +4.6 | V |
| V_O | output voltage | ^[1] | -0.5 | $V_{CC} + 0.5$ | V |
| I_{IK} | input clamping current | $V_I < 0$ V | -50 | - | mA |
| I_{OK} | output clamping current | $V_O > V_{CC}$ or $V_O < 0$ V | - | ± 50 | mA |
| I_O | output current | $V_O = 0$ V to V_{CC} | - | ± 50 | mA |
| I_{CC} | supply current | | - | 100 | mA |
| I_{GND} | ground current | | -100 | - | mA |
| T_{stg} | storage temperature | | -65 | +150 | °C |
| P_{tot} | total power dissipation | $T_{amb} = -40$ °C to +85 °C ^[2] | - | 600 | mW |

[1] The input and output voltage ratings may be exceeded if the input and output current ratings are observed.

[2] For TSSOP56 packages: above 55 °C derate linearly with 8 mW/K.

8 Recommended operating conditions

Table 5. Recommended operating conditions

| Symbol | Parameter | Conditions | Min | Max | Unit |
|---------------------|-------------------------------------|---|-----|----------|------|
| V_{CC} | supply voltage | $V_{CC} = 2.5$ V: for maximum speed performance at $C_L = 30$ pF | 2.3 | 2.7 | V |
| | | $V_{CC} = 3.3$ V: for maximum speed performance at $C_L = 50$ pF | 3.0 | 3.6 | V |
| V_I | input voltage | | 0 | V_{CC} | V |
| V_O | output voltage | | 0 | V_{CC} | V |
| T_{amb} | ambient temperature | in free air | -40 | +85 | °C |
| $\Delta t/\Delta V$ | input transition rise and fall rate | $V_{CC} = 2.3$ V to 3.0 V | 0 | 20 | ns/V |
| | | $V_{CC} = 3.0$ V to 3.6 V | 0 | 10 | ns/V |

9 Static characteristics

Table 6. Static characteristics

At recommended operating conditions. $T_{amb} = -40\text{ °C}$ to $+85\text{ °C}$; Voltages are referenced to GND (ground = 0 V).

| Symbol | Parameter | Conditions | Min | Typ ^[1] | Max | Unit |
|-------------------|---------------------------------|---|-----------------------|------------------------|------|------|
| V _{IH} | HIGH-level input voltage | V _{CC} = 2.3 to 2.7 V | 1.7 | 1.2 | - | V |
| | | V _{CC} = 2.7 to 3.6 V | 2.0 | 1.5 | - | V |
| V _{IL} | LOW-level input voltage | V _{CC} = 2.3 to 2.7 V | - | 1.2 | 0.7 | V |
| | | V _{CC} = 2.7 to 3.6 V | - | 1.5 | 0.8 | V |
| V _{OH} | HIGH-level output voltage | V _I = V _{IH} or V _{IL} | | | | |
| | | I _O = -100 μA; V _{CC} = 2.3 V to 3.6 V | V _{CC} - 0.2 | V _{CC} | - | V |
| | | I _O = -6 mA; V _{CC} = 2.3 V | V _{CC} - 0.3 | V _{CC} - 0.08 | - | V |
| | | I _O = -12 mA; V _{CC} = 2.3 V | V _{CC} - 0.6 | V _{CC} - 0.26 | - | V |
| | | I _O = -12 mA; V _{CC} = 2.7 V | V _{CC} - 0.5 | V _{CC} - 0.14 | - | V |
| | | I _O = -12 mA; V _{CC} = 3.0 V | V _{CC} - 0.6 | V _{CC} - 0.09 | - | V |
| V _{OL} | LOW-level output voltage | V _I = V _{IH} or V _{IL} | | | | |
| | | I _O = 100 μA; V _{CC} = 2.3 V to 3.6 V | - | GND | 0.20 | V |
| | | I _O = 6 mA; V _{CC} = 2.3 V | - | 0.07 | 0.40 | V |
| | | I _O = 12 mA; V _{CC} = 2.3 V | - | 0.15 | 0.70 | V |
| | | I _O = 12 mA; V _{CC} = 2.7 V | - | 0.14 | 0.40 | V |
| | | I _O = 24 mA; V _{CC} = 3.0 V | - | 0.27 | 0.55 | V |
| I _I | input leakage current | V _I = V _{CC} or GND; V _{CC} = 2.3 V to 3.6 V | - | 0.1 | 5 | μA |
| I _{BHL} | bus hold LOW current | V _{CC} = 2.3 V; V _I = 0.7 V | 45 | - | - | μA |
| | | V _{CC} = 3.0 V; V _I = 0.8 V | 75 | 150 | - | μA |
| I _{BHH} | bus hold HIGH current | V _{CC} = 2.3 V; V _I = 1.7 V | -45 | - | - | μA |
| | | V _{CC} = 3.0 V; V _I = 2.0 V | -75 | -175 | - | μA |
| I _{BHLO} | bus hold LOW overdrive current | V _{CC} = 3.6 V | 500 | - | - | μA |
| I _{BHHO} | bus hold HIGH overdrive current | V _{CC} = 3.6 V | -500 | - | - | μA |
| I _{OZ} | OFF-state output current | V _{CC} = 2.7 V to 3.6 V; V _I = V _{IH} or V _{IL} ; V _O = V _{CC} or GND | - | 0.1 | 10 | μA |
| I _{CC} | supply current | V _{CC} = 2.3 to 3.6 V; V _I = V _{CC} or GND; I _O = 0 A | - | 0.2 | 40 | μA |
| ΔI _{CC} | additional supply current | V _I = V _{CC} - 0.6 V; I _O = 0 A; V _{CC} = 2.3 V to 3.6 V | - | 150 | 750 | μA |
| C _I | input capacitance | | - | 4.0 | - | pF |
| C _{I/O} | input/output capacitance | | - | 8.0 | - | pF |

[1] All typical values are measured at $T_{amb} = 25\text{ °C}$.

10 Dynamic characteristics

Table 7. Dynamic characteristics

Voltages are referenced to GND (ground = 0 V). $T_{amb} = -40\text{ }^{\circ}\text{C}$ to $+85\text{ }^{\circ}\text{C}$; For test circuit, see [Figure 10](#).

| Symbol | Parameter | Conditions | Min | Typ ^[1] | Max | Unit |
|-----------|-------------------|---|-----|--------------------|-----|------|
| t_{pd} | propagation delay | An to Bn; Bn to An; Figure 6 ^[2] | | | | |
| | | $V_{CC} = 2.3\text{ V to }2.7\text{ V}$ | 1.0 | 3.1 | 5.2 | ns |
| | | $V_{CC} = 2.7\text{ V}$ | - | 3.1 | 4.7 | ns |
| | | $V_{CC} = 3.0\text{ V to }3.6\text{ V}$ | 1.0 | 2.8 | 4.2 | ns |
| | | LEAB to Bn; LEBA to An; Figure 7 ^[2] | | | | |
| | | $V_{CC} = 2.3\text{ V to }2.7\text{ V}$ | 1.0 | 3.6 | 6.2 | ns |
| | | $V_{CC} = 2.7\text{ V}$ | - | 3.4 | 5.5 | ns |
| | | $V_{CC} = 3.0\text{ V to }3.6\text{ V}$ | 1.0 | 3.1 | 4.9 | ns |
| | | \overline{CPAB} to Bn; \overline{CPBA} to An; Figure 7 ^[2] | | | | |
| | | $V_{CC} = 2.3\text{ V to }2.7\text{ V}$ | 1.0 | 3.8 | 7.3 | ns |
| | | $V_{CC} = 2.7\text{ V}$ | - | 3.8 | 6.8 | ns |
| | | $V_{CC} = 3.0\text{ V to }3.6\text{ V}$ | 1.3 | 2.9 | 5.7 | ns |
| t_{en} | enable time | \overline{OEAB} to Bn; \overline{OEBA} to An; Figure 8 ^[2] | | | | |
| | | $V_{CC} = 2.3\text{ V to }2.7\text{ V}$ | 1.0 | 3.1 | 6.5 | ns |
| | | $V_{CC} = 2.7\text{ V}$ | - | 3.3 | 6.3 | ns |
| | | $V_{CC} = 3.0\text{ V to }3.6\text{ V}$ | 1.1 | 2.8 | 5.2 | ns |
| t_{dis} | disable time | \overline{OEAB} to Bn; \overline{OEBA} to An; Figure 8 ^[2] | | | | |
| | | $V_{CC} = 2.3\text{ V to }2.7\text{ V}$ | 1.0 | 2.8 | 5.1 | ns |
| | | $V_{CC} = 2.7\text{ V}$ | - | 3.3 | 4.7 | ns |
| | | $V_{CC} = 3.0\text{ V to }3.6\text{ V}$ | 1.2 | 3.2 | 4.4 | ns |
| t_w | pulse width | LEAB HIGH; LEBA HIGH; Figure 7 | | | | |
| | | $V_{CC} = 2.3\text{ V to }2.7\text{ V}$ | 3.3 | 1.6 | - | ns |
| | | $V_{CC} = 2.7\text{ V}$ | 3.3 | 1.0 | - | ns |
| | | $V_{CC} = 3.0\text{ V to }3.6\text{ V}$ | 3.3 | 1.0 | - | ns |
| | | \overline{CPAB} HIGH or LOW; \overline{CPBA} HIGH or LOW; Figure 7 | | | | |
| | | $V_{CC} = 2.3\text{ V to }2.7\text{ V}$ | 3.3 | 2.0 | - | ns |
| | | $V_{CC} = 2.7\text{ V}$ | 3.3 | 1.4 | - | ns |
| | | $V_{CC} = 3.0\text{ V to }3.6\text{ V}$ | 3.3 | 1.1 | - | ns |

| Symbol | Parameter | Conditions | Min | Typ ^[1] | Max | Unit |
|------------------|-------------------------------|--|-----|--------------------|-----|------|
| t _{su} | set-up time | An to \overline{CPAB} ; Bn to \overline{CPBA} ; Figure 9 | | | | |
| | | V _{CC} = 2.3 V to 2.7 V | 1.3 | -0.1 | - | ns |
| | | V _{CC} = 2.7 V | 1.3 | -0.4 | - | ns |
| | | V _{CC} = 3.0 V to 3.6 V | 1.2 | -0.1 | - | ns |
| | | An to LEAB; Bn to LEBA; Figure 9 | | | | |
| | | V _{CC} = 2.3 V to 2.7 V | 1.2 | 0.1 | - | ns |
| | | V _{CC} = 2.7 V | 1.1 | -0.2 | - | ns |
| | | V _{CC} = 3.0 V to 3.6 V | 1.1 | 0.3 | - | ns |
| | | CEAB to \overline{CPAB} ; CEBA to \overline{CPBA} ; Figure 9 | | | | |
| | | V _{CC} = 2.3 V to 2.7 V | 0.7 | -0.4 | - | ns |
| | | V _{CC} = 2.7 V | 0.7 | -0.7 | - | ns |
| | | V _{CC} = 3.0 V to 3.6 V | 0.8 | -0.2 | - | ns |
| t _h | hold time | An to \overline{CPAB} ; Bn to \overline{CPBA} ; Figure 9 | | | | |
| | | V _{CC} = 2.3 V to 2.7 V | 1.5 | 0.6 | - | ns |
| | | V _{CC} = 2.7 V | 1.8 | 0.4 | - | ns |
| | | V _{CC} = 3.0 V to 3.6 V | 1.5 | 0.4 | - | ns |
| | | An to LEAB; Bn to LEBA; Figure 9 | | | | |
| | | V _{CC} = 2.3 V to 2.7 V | 1.2 | 0.6 | - | ns |
| | | V _{CC} = 2.7 V | 1.6 | 0.1 | - | ns |
| | | V _{CC} = 3.0 V to 3.6 V | 1.3 | 0.1 | - | ns |
| | | CEAB to \overline{CPAB} ; CEBA to \overline{CPBA} ; Figure 9 | | | | |
| | | V _{CC} = 2.3 V to 2.7 V | 1.4 | 2.0 | - | ns |
| | | V _{CC} = 2.7 V | 1.7 | 0.6 | - | ns |
| | | V _{CC} = 3.0 V to 3.6 V | 1.4 | 0.4 | - | ns |
| f _{max} | maximum frequency | \overline{CPAB} , \overline{CPBA} ; Figure 7 | | | | |
| | | V _{CC} = 2.3 V to 2.7 V | 150 | 335 | - | MHz |
| | | V _{CC} = 2.7 V | 150 | 350 | - | MHz |
| | | V _{CC} = 3.0 V to 3.6 V | 150 | 362 | - | MHz |
| C _{PD} | power dissipation capacitance | per latch; V _I = GND to V _{CC} ^[3] | | | | |
| | | output enabled | - | 21 | - | pF |
| | | output disabled | - | 3 | - | pF |

[1] Typical values are measured at T_{amb} = 25 °C

Typical values for V_{CC} = 2.3 V to 2.7 V are measured at V_{CC} = 2.5 V

Typical values for V_{CC} = 3.0 V to 3.6 V are measured at V_{CC} = 3.3 V

[2] t_{pd} is the same as t_{PHL} and t_{PLH}; t_{en} is the same as t_{PZH} and t_{PZL}; t_{dis} is the same as t_{PHZ} and t_{PLZ}.

[3] C_{PD} is used to determine the dynamic power dissipation (P_D in μW):

$$P_D = C_{PD} \times V_{CC}^2 \times f_i \times N + \sum(C_L \times V_{CC}^2 \times f_o) \text{ where:}$$

f_i = input frequency in MHz;

f_o = output frequency in MHz;

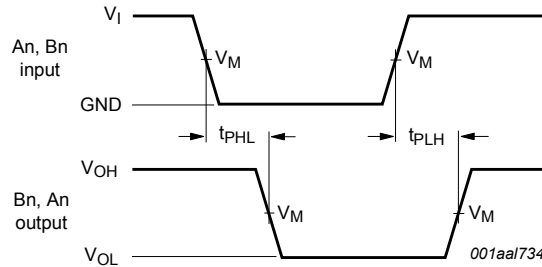
C_L = output load capacitance in pF;

V_{CC} = supply voltage in V;

N = number of inputs switching;

∑(C_L × V_{CC}² × f_o) = sum of outputs.

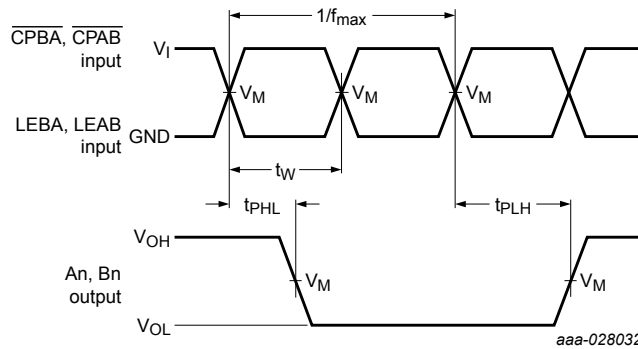
10.1 Waveforms and test circuit



Measurement points are given in [Table 8](#).

V_{OL} and V_{OH} are typical voltage output levels that occur with the output load.

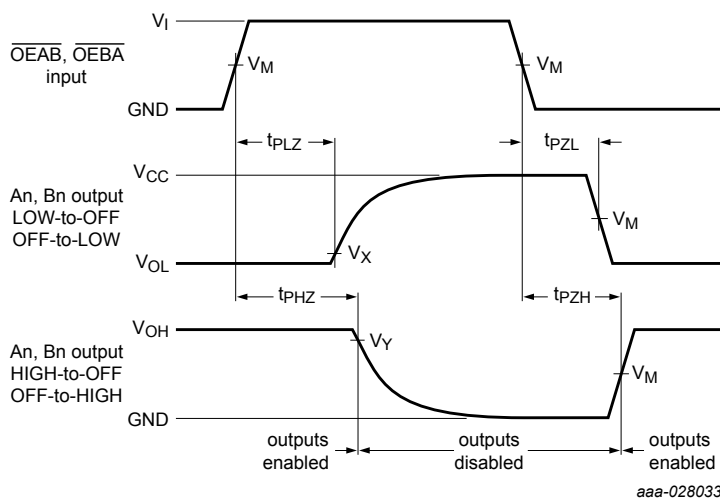
Figure 6. The input An, Bn to output Bn, An propagation delay times.



Measurement points are given in [Table 8](#).

V_{OL} and V_{OH} are typical voltage output levels that occur with the output load.

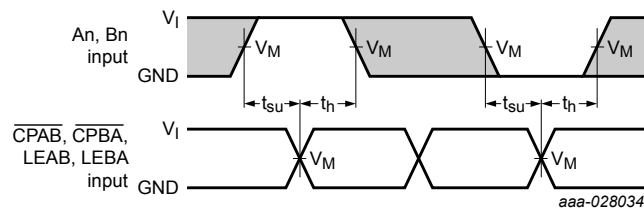
Figure 7. Latch enable input LEAB, LEBA and clock input CPAB, CPBA to output Bn, An propagation delay times; pulse width and f_{max} of CPAB and CPBA



Measurement points are given in [Table 8](#).

V_{OL} and V_{OH} are typical voltage output levels that occur with the output load.

Figure 8. 3-state enable and disable times.



Measurement points are given in [Table 8](#).

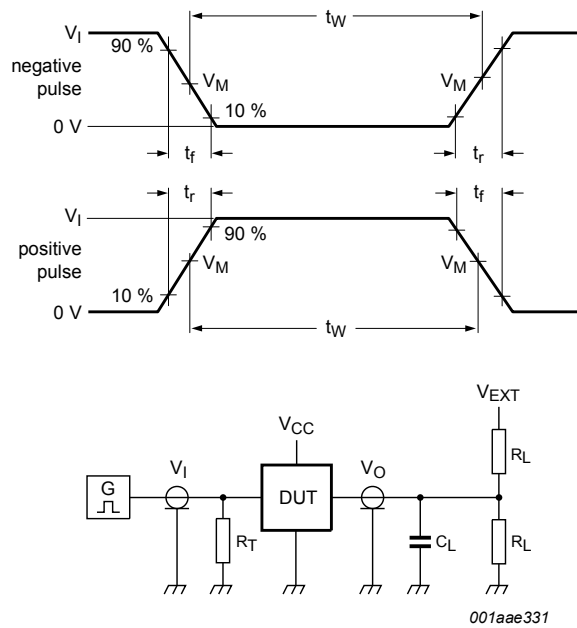
The shaded areas indicate when the input is permitted to change for predictable output performance.

V_{OL} and V_{OH} are typical voltage output levels that occur with the output load.

Figure 9. Data set-up and hold times for An and Bn inputs to LEAB, LEBA, CPAB or CPBA inputs.

Table 8. Measurement points

| Supply voltage | Input | | Output | | |
|----------------|----------|--------------|--------------|-------------------|-------------------|
| | V_I | V_M | V_M | V_X | V_Y |
| 2.3 V to 2.7 V | V_{CC} | $0.5 V_{CC}$ | $0.5 V_{CC}$ | $V_{OL} + 0.15 V$ | $V_{OH} - 0.15 V$ |
| 2.7 V | 2.7 V | 1.5 V | 1.5 V | $V_{OL} + 0.3 V$ | $V_{OH} - 0.3 V$ |
| 3.0 V to 3.6 V | 2.7 V | 1.5 V | 1.5 V | $V_{OL} + 0.3 V$ | $V_{OH} - 0.3 V$ |



Test data is given in [Table 9](#).

Definitions for test circuit:

R_L = Load resistance.

C_L = Load capacitance including jig and probe capacitance.

R_T = Termination resistance should be equal to output impedance Z_o of the pulse generator.

V_{EXT} = External voltage for measuring switching times.

Figure 10. Test circuit for measuring switching times

Table 9. Test data

| Supply voltage | Input | | Load | | V_{EXT} | | |
|----------------|----------|---------------|-------|--------------|--------------------|--------------------|--------------------|
| V_{CC} | V_I | t_r, t_f | C_L | R_L | t_{PLH}, t_{PHL} | t_{PLZ}, t_{PZL} | t_{PHZ}, t_{PZH} |
| 2.3 V to 2.7 V | V_{CC} | ≤ 2.0 ns | 30 pF | 500 Ω | open | $2 \times V_{CC}$ | GND |
| 2.7 V | 2.7 V | ≤ 2.5 ns | 50 pF | 500 Ω | open | $2 \times V_{CC}$ | GND |
| 3.0 V to 3.6 V | 2.7 V | ≤ 2.5 ns | 50 pF | 500 Ω | open | $2 \times V_{CC}$ | GND |

11 Package outline

TSSOP56: plastic thin shrink small outline package; 56 leads; body width 6.1 mm

SOT364-1



DIMENSIONS (mm are the original dimensions).

| UNIT | A max. | A ₁ | A ₂ | A ₃ | b _p | c | D ⁽¹⁾ | E ⁽²⁾ | e | H _E | L | L _p | Q | v | w | y | Z | θ |
|------|--------|----------------|----------------|----------------|----------------|------------|------------------|------------------|-----|----------------|---|----------------|--------------|------|------|-----|------------|----------|
| mm | 1.2 | 0.15 0.05 | 1.05 0.85 | 0.25 | 0.28 0.17 | 0.2 0.1 | 14.1 13.9 | 6.2 6.0 | 0.5 | 8.3 7.9 | 1 | 0.8 0.4 | 0.50 0.35 | 0.25 | 0.08 | 0.1 | 0.5 0.1 | 8° 0° |

Notes

1. Plastic or metal protrusions of 0.15 mm maximum per side are not included.
2. Plastic interlead protrusions of 0.25 mm maximum per side are not included.

| OUTLINE VERSION | REFERENCES | | | | EUROPEAN PROJECTION | ISSUE DATE |
|-----------------|------------|--------|-------|--|---------------------|----------------------|
| | IEC | JEDEC | JEITA | | | |
| SOT364-1 | | MO-153 | | | | 99-12-27 03-02-19 |

Figure 11. Package outline SOT364-1 (TSSOP56)

12 Abbreviations

Table 10. Abbreviations

| Acronym | Description |
|---------|---|
| CDM | Charged Device Model |
| CMOS | Complementary Metal-Oxide Semiconductor |
| DUT | Device Under Test |
| ESD | ElectroStatic Discharge |
| HBM | Human Body Model |
| TTL | Transistor-Transistor Logic |

13 Revision history

Table 11. Revision history

| Document ID | Release date | Data sheet status | Change notice | Supersedes |
|------------------|---|-----------------------|---------------|------------------|
| 74ALVCH16600 v.3 | 20180115 | Product data sheet | - | 74ALVCH16600 v.2 |
| Modifications: | <ul style="list-style-type: none"> The format of this data sheet has been redesigned to comply with the identity guidelines of Nexperia. Legal texts have been adapted to the new company name where appropriate. | | | |
| 74ALVCH16600 v.2 | 19980924 | Product specification | - | 74ALVCH16600 v.1 |
| 74ALVCH16600 v.1 | 19980801 | Product specification | - | - |

14 Legal information

14.1 Data sheet status

| Document status ^{[1][2]} | Product status ^[3] | Definition |
|-----------------------------------|-------------------------------|---|
| Objective [short] data sheet | Development | This document contains data from the objective specification for product development. |
| Preliminary [short] data sheet | Qualification | This document contains data from the preliminary specification. |
| Product [short] data sheet | Production | This document contains the product specification. |

[1] Please consult the most recently issued document before initiating or completing a design.

[2] The term 'short data sheet' is explained in section "Definitions".

[3] The product status of device(s) described in this document may have changed since this document was published and may differ in case of multiple devices. The latest product status information is available on the Internet at URL <http://www.nexperia.com>.

14.2 Definitions

Draft — The document is a draft version only. The content is still under internal review and subject to formal approval, which may result in modifications or additions. Nexperia does not give any representations or warranties as to the accuracy or completeness of information included herein and shall have no liability for the consequences of use of such information.

Short data sheet — A short data sheet is an extract from a full data sheet with the same product type number(s) and title. A short data sheet is intended for quick reference only and should not be relied upon to contain detailed and full information. For detailed and full information see the relevant full data sheet, which is available on request via the local Nexperia sales office. In case of any inconsistency or conflict with the short data sheet, the full data sheet shall prevail.

Product specification — The information and data provided in a Product data sheet shall define the specification of the product as agreed between Nexperia and its customer, unless Nexperia and customer have explicitly agreed otherwise in writing. In no event however, shall an agreement be valid in which the Nexperia product is deemed to offer functions and qualities beyond those described in the Product data sheet.

14.3 Disclaimers

Limited warranty and liability — Information in this document is believed to be accurate and reliable. However, Nexperia does not give any representations or warranties, expressed or implied, as to the accuracy or completeness of such information and shall have no liability for the consequences of use of such information. Nexperia takes no responsibility for the content in this document if provided by an information source outside of Nexperia. In no event shall Nexperia be liable for any indirect, incidental, punitive, special or consequential damages (including - without limitation - lost profits, lost savings, business interruption, costs related to the removal or replacement of any products or rework charges) whether or not such damages are based on tort (including negligence), warranty, breach of contract or any other legal theory. Notwithstanding any damages that customer might incur for any reason whatsoever, Nexperia's aggregate and cumulative liability towards customer for the products described herein shall be limited in accordance with the Terms and conditions of commercial sale of Nexperia.

Right to make changes — Nexperia reserves the right to make changes to information published in this document, including without limitation specifications and product descriptions, at any time and without notice. This document supersedes and replaces all information supplied prior to the publication hereof.

Suitability for use — Nexperia products are not designed, authorized or warranted to be suitable for use in life support, life-critical or safety-critical

systems or equipment, nor in applications where failure or malfunction of an Nexperia product can reasonably be expected to result in personal injury, death or severe property or environmental damage. Nexperia and its suppliers accept no liability for inclusion and/or use of Nexperia products in such equipment or applications and therefore such inclusion and/or use is at the customer's own risk.

Applications — Applications that are described herein for any of these products are for illustrative purposes only. Nexperia makes no representation or warranty that such applications will be suitable for the specified use without further testing or modification. Customers are responsible for the design and operation of their applications and products using Nexperia products, and Nexperia accepts no liability for any assistance with applications or customer product design. It is customer's sole responsibility to determine whether the Nexperia product is suitable and fit for the customer's applications and products planned, as well as for the planned application and use of customer's third party customer(s). Customers should provide appropriate design and operating safeguards to minimize the risks associated with their applications and products. Nexperia does not accept any liability related to any default, damage, costs or problem which is based on any weakness or default in the customer's applications or products, or the application or use by customer's third party customer(s). Customer is responsible for doing all necessary testing for the customer's applications and products using Nexperia products in order to avoid a default of the applications and the products or of the application or use by customer's third party customer(s). Nexperia does not accept any liability in this respect.

Limiting values — Stress above one or more limiting values (as defined in the Absolute Maximum Ratings System of IEC 60134) will cause permanent damage to the device. Limiting values are stress ratings only and (proper) operation of the device at these or any other conditions above those given in the Recommended operating conditions section (if present) or the Characteristics sections of this document is not warranted. Constant or repeated exposure to limiting values will permanently and irreversibly affect the quality and reliability of the device.

Terms and conditions of commercial sale — Nexperia products are sold subject to the general terms and conditions of commercial sale, as published at <http://www.nexperia.com/profile/terms>, unless otherwise agreed in a valid written individual agreement. In case an individual agreement is concluded only the terms and conditions of the respective agreement shall apply. Nexperia hereby expressly objects to applying the customer's general terms and conditions with regard to the purchase of Nexperia products by customer.

No offer to sell or license — Nothing in this document may be interpreted or construed as an offer to sell products that is open for acceptance or the grant, conveyance or implication of any license under any copyrights, patents or other industrial or intellectual property rights.

Export control — This document as well as the item(s) described herein may be subject to export control regulations. Export might require a prior authorization from competent authorities.

Non-automotive qualified products — Unless this data sheet expressly states that this specific Nexperia product is automotive qualified, the product is not suitable for automotive use. It is neither qualified nor tested in accordance with automotive testing or application requirements. Nexperia accepts no liability for inclusion and/or use of non-automotive qualified products in automotive equipment or applications. In the event that customer uses the product for design-in and use in automotive applications to automotive specifications and standards, customer (a) shall use the product without Nexperia's warranty of the product for such automotive applications, use and specifications, and (b) whenever customer uses the product for automotive applications beyond Nexperia's specifications such use shall be solely at customer's own risk, and (c) customer fully indemnifies Nexperia for any liability, damages or failed product claims resulting from customer

design and use of the product for automotive applications beyond Nexperia's standard warranty and Nexperia's product specifications.

Translations — A non-English (translated) version of a document is for reference only. The English version shall prevail in case of any discrepancy between the translated and English versions.

14.4 Trademarks

Notice: All referenced brands, product names, service names and trademarks are the property of their respective owners.

Contents

| | | |
|-----------|---|-----------|
| 1 | General description | 1 |
| 2 | Features and benefits | 1 |
| 3 | Ordering information | 2 |
| 4 | Functional diagram | 2 |
| 5 | Pinning information | 4 |
| 5.1 | Pinning | 4 |
| 5.2 | Pin description | 5 |
| 6 | Functional description | 5 |
| 7 | Limiting values | 6 |
| 8 | Recommended operating conditions | 6 |
| 9 | Static characteristics | 7 |
| 10 | Dynamic characteristics | 8 |
| 10.1 | Waveforms and test circuit | 10 |
| 11 | Package outline | 13 |
| 12 | Abbreviations | 14 |
| 13 | Revision history | 14 |
| 14 | Legal information | 15 |

Please be aware that important notices concerning this document and the product(s) described herein, have been included in section 'Legal information'.

© Nexperia B.V. 2018.

All rights reserved.

For more information, please visit: <http://www.nexperia.com>

For sales office addresses, please send an email to: salesaddresses@nexperia.com

Date of release: 15 January 2018
Document identifier: 74ALVCH16600

单击下面可查看定价，库存，交付和生命周期等信息

[>>Nexperia\(安世\)](#)