

74HC2GU04-Q100

Dual unbuffered inverter

Rev. 2 — 17 September 2014

Product data sheet

1. General description

The 74HC2GU04-Q100 is a high-speed Si-gate CMOS device.

The 74HC2GU04-Q100 provides two unbuffered inverters.

This product has been qualified to the Automotive Electronics Council (AEC) standard Q100 (Grade 1) and is suitable for use in automotive applications.

2. Features and benefits

- Automotive product qualification in accordance with AEC-Q100 (Grade 1)
 - ◆ Specified from $-40\text{ }^{\circ}\text{C}$ to $+85\text{ }^{\circ}\text{C}$ and from $-40\text{ }^{\circ}\text{C}$ to $+125\text{ }^{\circ}\text{C}$
- Wide supply voltage range from 2.0 V to 6.0 V
- Complies with JEDEC standard no. 7A
- High noise immunity
- ESD protection:
 - ◆ HBM JESD22-A114F exceeds 2000 V
 - ◆ MM JESD22-A115-A exceeds 200 V
- Low power dissipation
- Balanced propagation delays
- Multiple package options
- ESD protection:
 - ◆ MIL-STD-883, method 3015 exceeds 2000 V
 - ◆ HBM JESD22-A114F exceeds 2000 V
 - ◆ MM JESD22-A115-A exceeds 200 V (C = 200 pF, R = 0 Ω)

3. Ordering information

Table 1. Ordering information

| Type number | Package | | | Version |
|------------------|---|-------|--|---------|
| | Temperature range | Name | Description | |
| 74HC2GU04GW-Q100 | $-40\text{ }^{\circ}\text{C}$ to $+125\text{ }^{\circ}\text{C}$ | SC-88 | plastic surface-mounted package; 6 leads | SOT363 |
| 74HC2GU04GV-Q100 | $-40\text{ }^{\circ}\text{C}$ to $+125\text{ }^{\circ}\text{C}$ | SC-74 | plastic surface-mounted package (TSOP6); 6 leads | SOT457 |

nexperia

4. Marking

Table 2. Marking

| Type number | Marking code |
|------------------|--------------|
| 74HC2GU04GW-Q100 | PD |
| 74HC2GU04GV-Q100 | HU4 |

5. Functional diagram

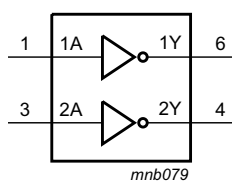


Fig 1. Logic symbol

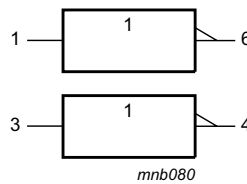


Fig 2. IEC logic symbol

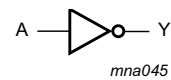


Fig 3. Logic diagram (one gate)

6. Pinning information

6.1 Pinning

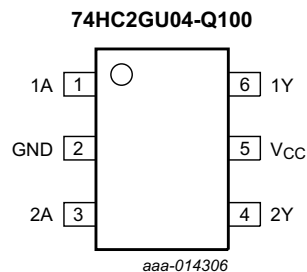


Fig 4. Pin configuration

6.2 Pin description

Table 3. Pin description

| Symbol | Pin | Description |
|-----------------|-----|----------------|
| 1A | 1 | data input |
| GND | 2 | ground (0 V) |
| 2A | 3 | data input |
| 2Y | 4 | data output |
| V _{CC} | 5 | supply voltage |
| 1Y | 6 | data output |

7. Functional description

Table 4. Function table^[1]

| Input | Output |
|-------|--------|
| nA | nY |
| L | H |
| H | L |

- [1] H = HIGH voltage level;
L = LOW voltage level.

8. Limiting values

Table 5. Limiting values

In accordance with the Absolute Maximum Rating System (IEC 60134). Voltages are referenced to GND (ground = 0 V).

| Symbol | Parameter | Conditions | Min | Max | Unit |
|-----------|-------------------------|--|------|------|--------|
| V_{CC} | supply voltage | | -0.5 | +7.0 | V |
| I_{IK} | input clamping current | $V_I < -0.5\text{ V}$ or $V_I > V_{CC} + 0.5\text{ V}$ | [1] | - | ±20 mA |
| I_{OK} | output clamping current | $V_O < -0.5\text{ V}$ or $V_O > V_{CC} + 0.5\text{ V}$ | [1] | - | ±20 mA |
| I_O | output current | $V_O = -0.5\text{ V}$ to $V_{CC} + 0.5\text{ V}$ | [1] | - | ±25 mA |
| I_{CC} | supply current | | [1] | - | +50 mA |
| I_{GND} | ground current | | [1] | - | -50 mA |
| T_{stg} | storage temperature | | -65 | +150 | °C |
| P_{tot} | total power dissipation | | [2] | - | 250 mW |

- [1] The minimum input and output voltage ratings may be exceeded if the input and output current ratings are observed.
[2] For SC-88 and SC-74 packages: above 87.5 °C the value of P_{tot} derates linearly with 4.0 mW/K.

9. Recommended operating conditions

Table 6. Recommended operating conditions

| Symbol | Parameter | Conditions | Min | Typ | Max | Unit |
|-----------|---------------------|-----------------------------------|-----|-----|----------|------|
| V_{CC} | supply voltage | | 2.0 | 5.0 | 6.0 | V |
| V_I | input voltage | | 0 | - | V_{CC} | V |
| V_O | output voltage | | 0 | - | V_{CC} | V |
| T_{amb} | ambient temperature | | -40 | +25 | +125 | °C |
| t_r | rise time | except for Schmitt trigger inputs | | | | |
| | | $V_{CC} = 2.0\text{ V}$ | - | - | 1000 | ns |
| | | $V_{CC} = 4.5\text{ V}$ | - | - | 500 | ns |
| | | $V_{CC} = 6.0\text{ V}$ | - | - | 400 | ns |
| t_f | fall time | except for Schmitt trigger inputs | | | | |
| | | $V_{CC} = 2.0\text{ V}$ | - | - | 1000 | ns |
| | | $V_{CC} = 4.5\text{ V}$ | - | - | 500 | ns |
| | | $V_{CC} = 6.0\text{ V}$ | - | - | 400 | ns |

10. Static characteristics

Table 7. Static characteristics

At recommended operating conditions; voltages are referenced to GND (ground = 0 V).

| Symbol | Parameter | Conditions | Min | Typ | Max | Unit |
|---|---------------------------|--|------|------|------|------|
| T_{amb} = 25 °C | | | | | | |
| V _{IH} | HIGH-level input voltage | V _{CC} = 2.0 V | 1.7 | 1.1 | - | V |
| | | V _{CC} = 4.5 V | 3.6 | 2.4 | - | V |
| | | V _{CC} = 6.0 V | 4.8 | 3.1 | - | V |
| V _{IL} | LOW-level input voltage | V _{CC} = 2.0 V | - | 0.9 | 0.3 | V |
| | | V _{CC} = 4.5 V | - | 2.1 | 0.9 | V |
| | | V _{CC} = 6.0 V | - | 2.9 | 1.2 | V |
| V _{OH} | HIGH-level output voltage | V _I = V _{IH} or V _{IL} | | | | |
| | | I _O = -20 μA; V _{CC} = 2.0 V | 1.9 | 2.0 | - | V |
| | | I _O = -20 μA; V _{CC} = 4.5 V | 4.4 | 4.5 | - | V |
| | | I _O = -20 μA; V _{CC} = 6.0 V | 5.9 | 6.0 | - | V |
| | | I _O = -4.0 mA; V _{CC} = 4.5 V | 4.13 | 4.32 | - | V |
| | | I _O = -5.2 mA; V _{CC} = 6.0 V | 5.63 | 5.81 | - | V |
| V _{OL} | LOW-level output voltage | V _I = V _{IH} or V _{IL} | | | | |
| | | I _O = 20 μA; V _{CC} = 2.0 V | - | 0 | 0.1 | V |
| | | I _O = 20 μA; V _{CC} = 4.5 V | - | 0 | 0.1 | V |
| | | I _O = 20 μA; V _{CC} = 6.0 V | - | 0 | 0.1 | V |
| | | I _O = 4.0 mA; V _{CC} = 4.5 V | - | 0.15 | 0.26 | V |
| | | I _O = 5.2 mA; V _{CC} = 6.0 V | - | 0.16 | 0.26 | V |
| I _I | input leakage current | V _I = GND or V _{CC} ; V _{CC} = 6.0 V | - | - | ±0.1 | μA |
| I _{CC} | supply current | V _I = GND or V _{CC} ; I _O = 0 A; V _{CC} = 6.0 V | - | - | 1.0 | μA |
| C _I | input capacitance | | - | 3.0 | - | pF |
| T_{amb} = -40 °C to +85 °C | | | | | | |
| V _{IH} | HIGH-level input voltage | V _{CC} = 2.0 V | 1.7 | 1.1 | - | V |
| | | V _{CC} = 4.5 V | 3.6 | 2.4 | - | V |
| | | V _{CC} = 6.0 V | 4.8 | 3.1 | - | V |
| V _{IL} | LOW-level input voltage | V _{CC} = 2.0 V | - | 0.9 | 0.3 | V |
| | | V _{CC} = 4.5 V | - | 2.1 | 0.9 | V |
| | | V _{CC} = 6.0 V | - | 2.9 | 1.2 | V |
| V _{OH} | HIGH-level output voltage | V _I = V _{IH} or V _{IL} | | | | |
| | | I _O = -20 μA; V _{CC} = 2.0 V | 1.9 | 2.0 | - | V |
| | | I _O = -20 μA; V _{CC} = 4.5 V | 4.4 | 4.5 | - | V |
| | | I _O = -20 μA; V _{CC} = 6.0 V | 5.9 | 6.0 | - | V |
| | | I _O = -4.0 mA; V _{CC} = 4.5 V | 4.13 | 4.32 | - | V |
| | | I _O = -5.2 mA; V _{CC} = 6.0 V | 5.63 | 5.81 | - | V |

Table 7. Static characteristics ...continued

At recommended operating conditions; voltages are referenced to GND (ground = 0 V).

| Symbol | Parameter | Conditions | Min | Typ | Max | Unit |
|--|---------------------------|--|-----|------|------|------|
| V _{OL} | LOW-level output voltage | V _I = V _{IH} or V _{IL} | | | | |
| | | I _O = 20 μA; V _{CC} = 2.0 V | - | 0 | 0.1 | V |
| | | I _O = 20 μA; V _{CC} = 4.5 V | - | 0 | 0.1 | V |
| | | I _O = 20 μA; V _{CC} = 6.0 V | - | 0 | 0.1 | V |
| | | I _O = 4.0 mA; V _{CC} = 4.5 V | - | 0.15 | 0.33 | V |
| | | I _O = 5.2 mA; V _{CC} = 6.0 V | - | 0.16 | 0.33 | V |
| I _I | input leakage current | V _I = GND or V _{CC} ; V _{CC} = 6.0 V | - | - | ±1.0 | μA |
| I _{CC} | supply current | V _I = GND or V _{CC} ; I _O = 0 A; V _{CC} = 6.0 V | - | - | 10.0 | μA |
| T_{amb} = -40 °C to +125 °C | | | | | | |
| V _{IH} | HIGH-level input voltage | V _{CC} = 2.0 V | 1.7 | - | - | V |
| | | V _{CC} = 4.5 V | 3.6 | - | - | V |
| | | V _{CC} = 6.0 V | 4.8 | - | - | V |
| V _{IL} | LOW-level input voltage | V _{CC} = 2.0 V | - | - | 0.3 | V |
| | | V _{CC} = 4.5 V | - | - | 0.9 | V |
| | | V _{CC} = 6.0 V | - | - | 1.2 | V |
| V _{OH} | HIGH-level output voltage | V _I = V _{IH} or V _{IL} | | | | |
| | | I _O = -20 μA; V _{CC} = 2.0 V | 1.9 | - | - | V |
| | | I _O = -20 μA; V _{CC} = 4.5 V | 4.4 | - | - | V |
| | | I _O = -20 μA; V _{CC} = 6.0 V | 5.9 | - | - | V |
| | | I _O = -4.0 mA; V _{CC} = 4.5 V | 3.7 | - | - | V |
| | | I _O = -5.2 mA; V _{CC} = 6.0 V | 5.2 | - | - | V |
| V _{OL} | LOW-level output voltage | V _I = V _{IH} or V _{IL} | | | | |
| | | I _O = 20 μA; V _{CC} = 2.0 V | - | - | 0.1 | V |
| | | I _O = 20 μA; V _{CC} = 4.5 V | - | - | 0.1 | V |
| | | I _O = 20 μA; V _{CC} = 6.0 V | - | - | 0.1 | V |
| | | I _O = 4.0 mA; V _{CC} = 4.5 V | - | - | 0.4 | V |
| | | I _O = 5.2 mA; V _{CC} = 6.0 V | - | - | 0.4 | V |
| I _I | input leakage current | V _I = GND or V _{CC} ; V _{CC} = 6.0 V | - | - | ±1.0 | μA |
| I _{CC} | supply current | V _I = GND or V _{CC} ; I _O = 0 A; V _{CC} = 6.0 V | - | - | 20.0 | μA |

11. Dynamic characteristics

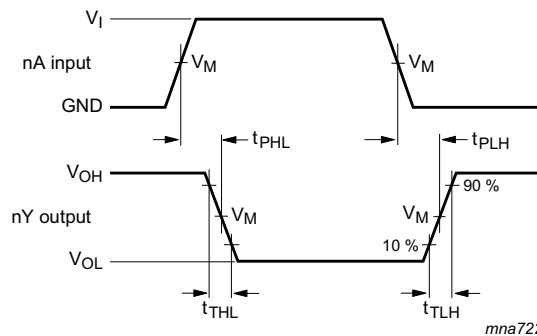
Table 8. Dynamic characteristics

Voltages are referenced to GND (ground = 0 V); for test circuit, see [Figure 6](#).

| Symbol | Parameter | Conditions | 25 °C | | | −40 °C to +125 °C | | | Unit | |
|-----------------|-------------------------------|---|-------|-----|-----|-------------------|-------------|--------------|------|----|
| | | | Min | Typ | Max | Min | Max (85 °C) | Max (125 °C) | | |
| t _{pd} | propagation delay | nA to nY; see Figure 5 | [1] | | | | | | | |
| | | V _{CC} = 2.0 V; C _L = 50 pF | | - | 13 | 60 | - | 75 | 90 | ns |
| | | V _{CC} = 4.5 V; C _L = 50 pF | | - | 6 | 12 | - | 15 | 18 | ns |
| | | V _{CC} = 6.0 V; C _L = 50 pF | | - | 5 | 10 | - | 13 | 15 | ns |
| t _t | transition time | nY; see Figure 5 | [2] | | | | | | | |
| | | V _{CC} = 2.0 V; C _L = 50 pF | | - | 18 | 75 | - | 95 | 125 | ns |
| | | V _{CC} = 4.5 V; C _L = 50 pF | | - | 6 | 15 | - | 19 | 25 | ns |
| | | V _{CC} = 6.0 V; C _L = 50 pF | | - | 5 | 13 | - | 16 | 20 | ns |
| C _{PD} | power dissipation capacitance | V _I = GND to V _{CC} | [3] | - | 5 | - | - | - | pF | |

- [1] t_{pd} is the same as t_{PLH} and t_{PHL}
- [2] t_t is the same as t_{TLH} and t_{THL}
- [3] C_{PD} is used to determine the dynamic power dissipation (P_D in μW).
 $P_D = C_{PD} \times V_{CC}^2 \times f_i \times N + \Sigma(C_L \times V_{CC}^2 \times f_o)$ where:
 f_i = input frequency in MHz;
 f_o = output frequency in MHz;
 C_L = output load capacitance in pF;
 V_{CC} = supply voltage in V;
 N = number of inputs switching;
 $\Sigma(C_L \times V_{CC}^2 \times f_o)$ = sum of the outputs.

12. Waveforms



Measurement points are given in [Table 9](#).
 V_{OL} and V_{OH} are typical voltage output levels that occur with the output load.

Fig 5. The data input (nA) to output (nY) propagation delays and output transition times

Table 9. Measurement points

| Input | | | Output |
|-------------|-----------------|-------------|-------------|
| V_M | V_I | $t_r = t_f$ | V_M |
| $0.5V_{CC}$ | GND to V_{CC} | 6.0 ns | $0.5V_{CC}$ |

Test data is given in [Table 10](#).

Definitions test circuit:

- R_L = Load resistance.
- C_L = Load capacitance including jig and probe capacitance.
- R_T = Termination resistance should be equal to output impedance Z_o of the pulse generator.

Fig 6. Test circuit for measuring switching times

Table 10. Test data

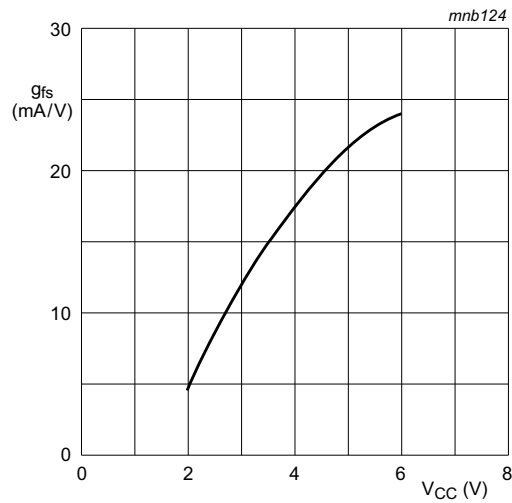
| Input | | Test |
|-----------------|------------|--------------------|
| V_I | t_r, t_f | t_{PHL}, t_{PLH} |
| GND to V_{CC} | 6 ns | open |

13. Additional characteristics

$$g_{fs} = \frac{\Delta I_o}{\Delta V_i}$$

V_O is constant.

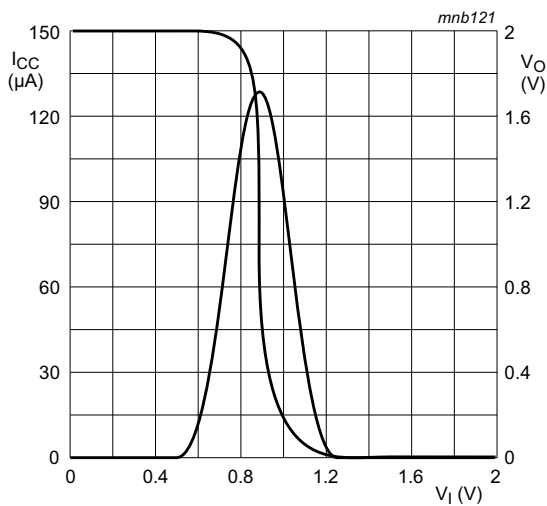
Fig 7. Test set-up for measuring forward transconductance



T_{amb} = 25 °C.

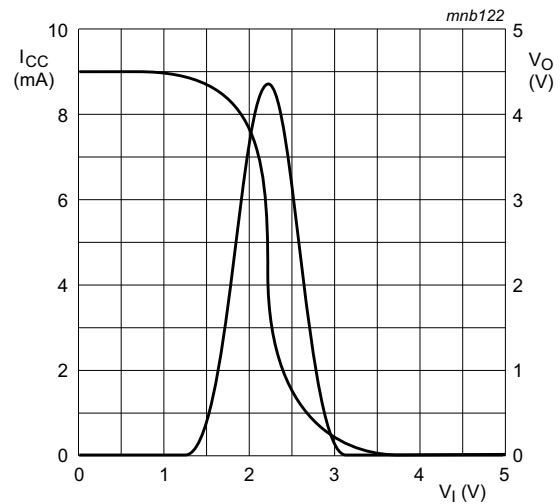
Fig 8. Typical forward transconductance as a function of supply voltage

14. Typical transfer characteristics



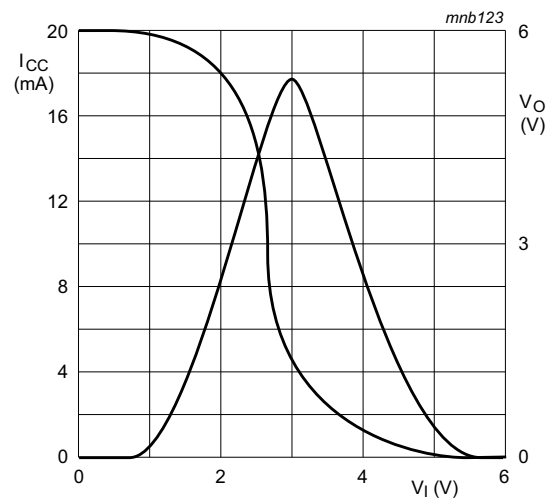
V_{CC} = 2.0 V; I_O = 0 A.

Fig 9. Typical transfer characteristics V_{CC} = 2.0 V



V_{CC} = 4.5 V; I_O = 0 A.

Fig 10. Typical transfer characteristics V_{CC} = 4.5 V



$V_{CC} = 6.0 \text{ V}$; $I_O = 0 \text{ A}$.

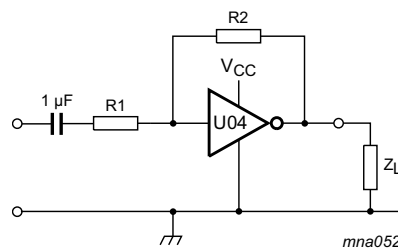
Fig 11. Typical transfer characteristics $V_{CC} = 6.0 \text{ V}$

15. Application information

Some applications for the 74HC2GU04-Q100 are:

- Linear amplifier (see [Figure 12](#))
- Crystal oscillator (see [Figure 13](#)).

Remark: All values given are typical values unless otherwise specified.



$Z_L > 10 \text{ k}\Omega$.

$R1 \geq 3 \text{ k}\Omega$.

$R2 \leq 1 \text{ M}\Omega$.

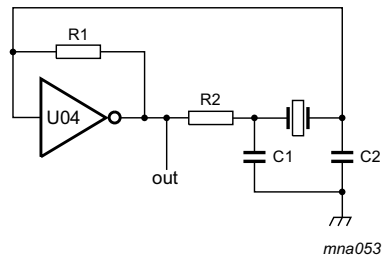
Open loop amplification: $A_{OL} = 20$.

$$\text{Voltage amplification: } A_V = -\frac{A_{OL}}{1 + \frac{R1}{R2}(1 + A_{OL})}$$

$V_{o(p-p)} = V_{CC} - 1.5 \text{ V}$ centered at $0.5 \times V_{CC}$.

Unity gain bandwidth product is 5 MHz.

Fig 12. Linear amplifier application



Test data is given in [Table 11](#) and [Table 12](#).

C1 = 47 pF.

C2 = 22 pF.

R1 = 1 M Ω to 10 M Ω .

R2 optimum value depends on the frequency and required stability against changes in V_{CC} or average minimum I_{CC} ($I_{CC} = 2$ mA at $V_{CC} = 3.0$ V and $f = 1$ MHz).

Fig 13. Crystal oscillator application

Table 11. External components for resonator ($f < 1$ MHz)

| Frequency | R1 | R2 | C1 | C2 |
|----------------------|----------------|----------------|-------|-------|
| 10 kHz to 15.9 kHz | 2.2 M Ω | 220 k Ω | 56 pF | 20 pF |
| 16 kHz to 24.9 kHz | 2.2 M Ω | 220 k Ω | 56 pF | 10 pF |
| 25 kHz to 54.9 kHz | 2.2 M Ω | 100 k Ω | 56 pF | 10 pF |
| 55 kHz to 129.9 kHz | 2.2 M Ω | 100 k Ω | 47 pF | 5 pF |
| 130 kHz to 199.9 kHz | 2.2 M Ω | 47 k Ω | 47 pF | 5 pF |
| 200 kHz to 349.9 kHz | 2.2 M Ω | 47 k Ω | 47 pF | 5 pF |
| 350 kHz to 600 kHz | 2.2 M Ω | 47 k Ω | 47 pF | 5 pF |

Table 12. Optimum value for R2

| Frequency | R2 | Optimum |
|-----------|------------------------------------|---|
| 3 kHz | 2.0 k Ω | for minimum required I_{CC} |
| | 8.0 k Ω | for minimum influence due to change in V_{CC} |
| 6 kHz | 1.0 k Ω | or minimum required I_{CC} |
| | 4.7 k Ω | or minimum influence by V_{CC} |
| 10 kHz | 0.5 k Ω | or minimum required I_{CC} |
| | 2.0 k Ω | or minimum influence by V_{CC} |
| 14 kHz | 0.5 k Ω | or minimum required I_{CC} |
| | 2.0 k Ω | or minimum influence by V_{CC} |
| > 14 kHz | replace R2 by C3 = 35 pF (typical) | |

16. Package outline

Plastic surface-mounted package; 6 leads

SOT363

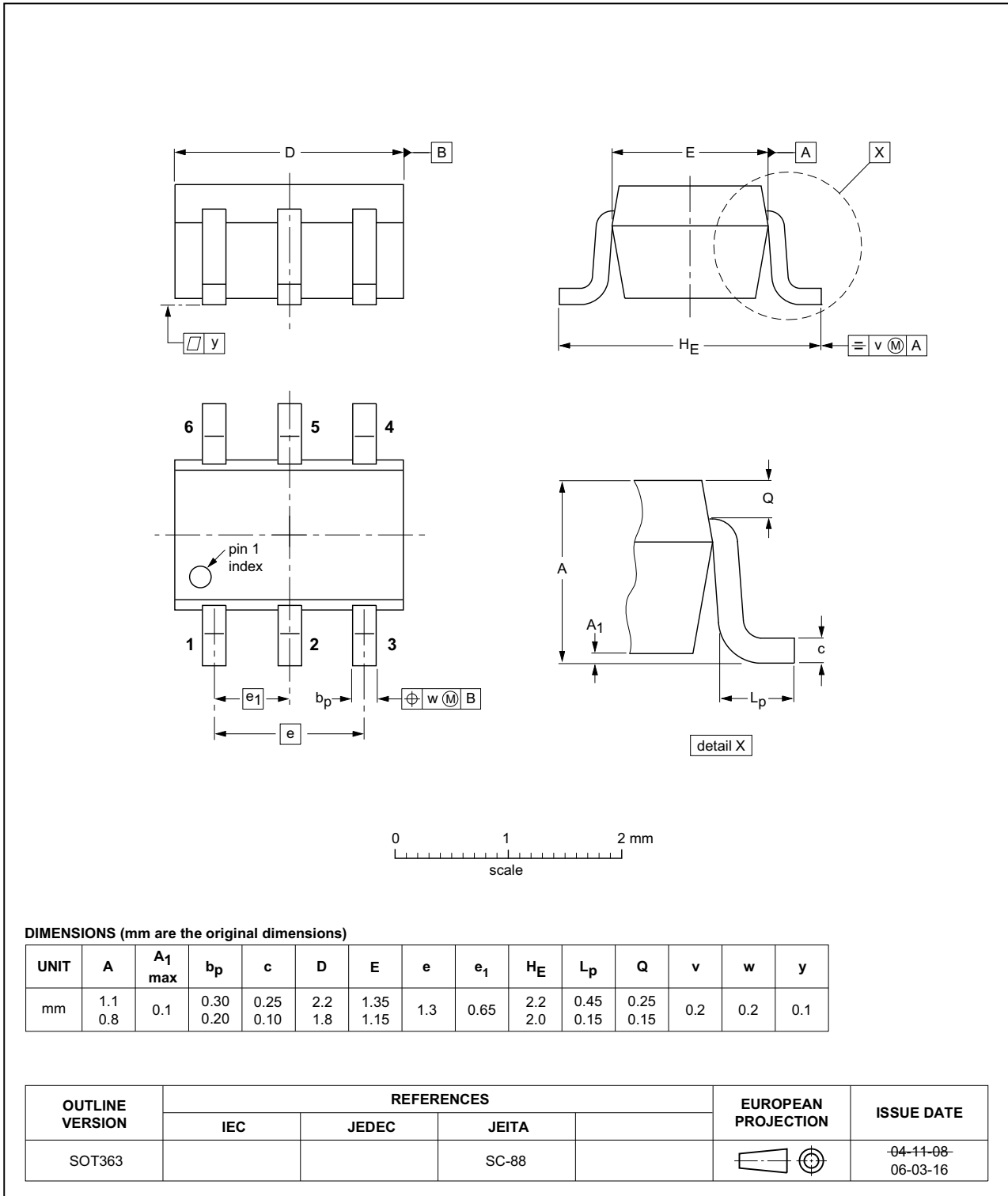


Fig 14. Package outline SOT363 (SC-88)

Plastic surface-mounted package (TSOP6); 6 leads

SOT457

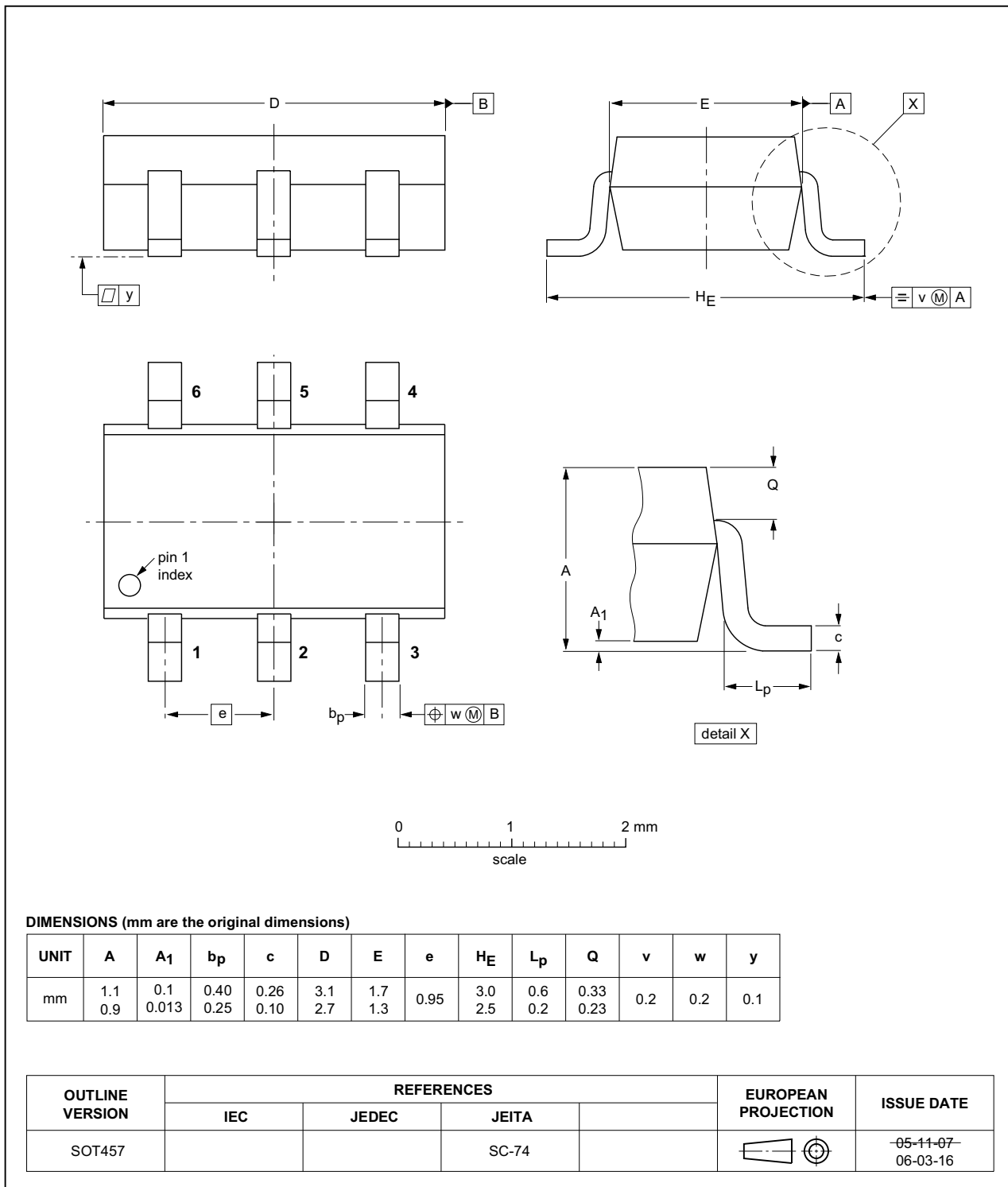


Fig 15. Package outline SOT457 (SC-74)

17. Abbreviations

Table 13. Abbreviations

| Acronym | Description |
|---------|---|
| CMOS | Complementary Metal Oxide Semiconductor |
| ESD | ElectroStatic Discharge |
| HBM | Human Body Model |
| MIL | Military |
| MM | Machine Model |
| DUT | Device Under Test |

18. Revision history

Table 14. Revision history

| Document ID | Release date | Data sheet status | Change notice | Supersedes |
|--------------------|---|--------------------|---------------|--------------------|
| 74HC2GU04_Q100 v.2 | 20140917 | Product data sheet | - | 74HC2GU04_Q100 v.1 |
| Modifications: | • Section 1 : Q100 automotive statement added in the general description. | | | |
| 74HC2GU04_Q100 v.1 | 20140825 | Product data sheet | - | - |

19. Legal information

19.1 Data sheet status

| Document status ^{[1][2]} | Product status ^[3] | Definition |
|-----------------------------------|-------------------------------|---|
| Objective [short] data sheet | Development | This document contains data from the objective specification for product development. |
| Preliminary [short] data sheet | Qualification | This document contains data from the preliminary specification. |
| Product [short] data sheet | Production | This document contains the product specification. |

[1] Please consult the most recently issued document before initiating or completing a design.

[2] The term 'short data sheet' is explained in section "Definitions".

[3] The product status of device(s) described in this document may have changed since this document was published and may differ in case of multiple devices. The latest product status information is available on the Internet at URL <http://www.nexperia.com>.

19.2 Definitions

Draft — The document is a draft version only. The content is still under internal review and subject to formal approval, which may result in modifications or additions. Nexperia does not give any representations or warranties as to the accuracy or completeness of information included herein and shall have no liability for the consequences of use of such information.

Short data sheet — A short data sheet is an extract from a full data sheet with the same product type number(s) and title. A short data sheet is intended for quick reference only and should not be relied upon to contain detailed and full information. For detailed and full information see the relevant full data sheet, which is available on request via the local Nexperia sales office. In case of any inconsistency or conflict with the short data sheet, the full data sheet shall prevail.

Product specification — The information and data provided in a Product data sheet shall define the specification of the product as agreed between Nexperia and its customer, unless Nexperia and customer have explicitly agreed otherwise in writing. In no event however, shall an agreement be valid in which the Nexperia product is deemed to offer functions and qualities beyond those described in the Product data sheet.

19.3 Disclaimers

Limited warranty and liability — Information in this document is believed to be accurate and reliable. However, Nexperia does not give any representations or warranties, expressed or implied, as to the accuracy or completeness of such information and shall have no liability for the consequences of use of such information. Nexperia takes no responsibility for the content in this document if provided by an information source outside of Nexperia.

In no event shall Nexperia be liable for any indirect, incidental, punitive, special or consequential damages (including - without limitation - lost profits, lost savings, business interruption, costs related to the removal or replacement of any products or rework charges) whether or not such damages are based on tort (including negligence), warranty, breach of contract or any other legal theory.

Notwithstanding any damages that customer might incur for any reason whatsoever, Nexperia's aggregate and cumulative liability towards customer for the products described herein shall be limited in accordance with the *Terms and conditions of commercial sale* of Nexperia.

Right to make changes — Nexperia reserves the right to make changes to information published in this document, including without limitation specifications and product descriptions, at any time and without notice. This document supersedes and replaces all information supplied prior to the publication hereof.

Suitability for use in automotive applications — This Nexperia product has been qualified for use in automotive applications. Unless otherwise agreed in writing, the product is not designed, authorized or warranted to be suitable for use in life support, life-critical or safety-critical systems or equipment, nor in applications where failure or malfunction of a Nexperia product can reasonably be expected to result in personal injury, death or severe property or environmental damage. Nexperia and its suppliers accept no liability for inclusion and/or use of Nexperia products in such equipment or applications and therefore such inclusion and/or use is at the customer's own risk.

Applications — Applications that are described herein for any of these products are for illustrative purposes only. Nexperia makes no representation or warranty that such applications will be suitable for the specified use without further testing or modification.

Customers are responsible for the design and operation of their applications and products using Nexperia products, and Nexperia accepts no liability for any assistance with applications or customer product design. It is customer's sole responsibility to determine whether the Nexperia product is suitable and fit for the customer's applications and products planned, as well as for the planned application and use of customer's third party customer(s). Customers should provide appropriate design and operating safeguards to minimize the risks associated with their applications and products.

Nexperia does not accept any liability related to any default, damage, costs or problem which is based on any weakness or default in the customer's applications or products, or the application or use by customer's third party customer(s). Customer is responsible for doing all necessary testing for the customer's applications and products using Nexperia products in order to avoid a default of the applications and the products or of the application or use by customer's third party customer(s). Nexperia does not accept any liability in this respect.

Limiting values — Stress above one or more limiting values (as defined in the Absolute Maximum Ratings System of IEC 60134) will cause permanent damage to the device. Limiting values are stress ratings only and (proper) operation of the device at these or any other conditions above those given in the Recommended operating conditions section (if present) or the Characteristics sections of this document is not warranted. Constant or repeated exposure to limiting values will permanently and irreversibly affect the quality and reliability of the device.

Terms and conditions of commercial sale — Nexperia products are sold subject to the general terms and conditions of commercial sale, as published at <http://www.nexperia.com/profile/terms>, unless otherwise agreed in a valid written individual agreement. In case an individual agreement is concluded only the terms and conditions of the respective agreement shall apply. Nexperia hereby expressly objects to applying the customer's general terms and conditions with regard to the purchase of Nexperia products by customer.

No offer to sell or license — Nothing in this document may be interpreted or construed as an offer to sell products that is open for acceptance or the grant, conveyance or implication of any license under any copyrights, patents or other industrial or intellectual property rights.

Export control — This document as well as the item(s) described herein may be subject to export control regulations. Export might require a prior authorization from competent authorities.

Translations — A non-English (translated) version of a document is for reference only. The English version shall prevail in case of any discrepancy between the translated and English versions.

19.4 Trademarks

Notice: All referenced brands, product names, service names and trademarks are the property of their respective owners.

20. Contact information

For more information, please visit: <http://www.nexperia.com>

For sales office addresses, please send an email to: salesaddresses@nexperia.com

21. Contents

| | | |
|------|--|----|
| 1 | General description | 1 |
| 2 | Features and benefits | 1 |
| 3 | Ordering information | 1 |
| 4 | Marking | 2 |
| 5 | Functional diagram | 2 |
| 6 | Pinning information | 2 |
| 6.1 | Pinning | 2 |
| 6.2 | Pin description | 2 |
| 7 | Functional description | 3 |
| 8 | Limiting values | 3 |
| 9 | Recommended operating conditions | 3 |
| 10 | Static characteristics | 4 |
| 11 | Dynamic characteristics | 6 |
| 12 | Waveforms | 6 |
| 13 | Additional characteristics | 7 |
| 14 | Typical transfer characteristics | 8 |
| 15 | Application information | 9 |
| 16 | Package outline | 11 |
| 17 | Abbreviations | 13 |
| 18 | Revision history | 13 |
| 19 | Legal information | 14 |
| 19.1 | Data sheet status | 14 |
| 19.2 | Definitions | 14 |
| 19.3 | Disclaimers | 14 |
| 19.4 | Trademarks | 15 |
| 20 | Contact information | 15 |
| 21 | Contents | 16 |

单击下面可查看定价，库存，交付和生命周期等信息

[>>Nexperia\(安世\)](#)