

# PDI1284P11

3.3 V parallel interface transceiver/buffer

Rev. 03 — 25 August 2008

Product data sheet

## 1. General description

---

The PDI1284P11 parallel interface chip is designed to provide an asynchronous, 8-bit, bidirectional, parallel interface for personal computers. The PDI1284P11 includes all 19 signal lines defined by the IEEE 1284 interface specification for Byte, Nibble, EPP, and ECP modes. The PDI1284P11 is designed for hosts or peripherals operating at 3.3 V to interface 3.3 V or 5.0 V devices.

The eight transceiver pairs (A/B 1 to 8) allow data transmission from the A-bus to the B-bus, or from the B-bus to the A-bus, depending on the state of the direction pin DIR.

The B-bus and the Y9 to Y13 lines have either totem pole or resistor pull-up outputs, depending on the state of the high drive enable pin HD. The A-bus has only totem pole style outputs. All inputs are TTL compatible with at least 400 mV of input hysteresis at  $V_{CC} = 3.3\text{ V}$ .

## 2. Features

---

- Asynchronous operation
- 8-bit transceivers
- Six additional buffer/driver lines peripheral to cable
- Five additional control lines from cable
- 5 V tolerant
- ESD protection:
  - ◆ HBM JESD22-A114E exceeds 2000 V
  - ◆ MM JESD22-A115-A exceeds 200 V
- Latch-up current protection exceeds 500 mA per JEDEC Std 19
- Input hysteresis
- Low-noise operation
- IEEE 1284 compliant level 1 and 2
- Overvoltage protection on B/Y side for off-state
- A side 3-state option
- B side active or resistive pull-up option
- Cable side supply voltage for 5 V or 3 V operation

nexperia

### 3. Ordering information

**Table 1. Ordering information**

Type number	Package			
	Temperature range	Name	Description	Version
PDI1284P11DL	0 °C to 70 °C	SSOP48	plastic shrink small outline package; 48 leads; body width 7.5 mm	SOT370-1
PDI1284P11DGG	0 °C to 70 °C	TSSOP48	plastic thin shrink small outline package; 48 leads; body width 6.1 mm	SOT362-1

4. Functional diagram

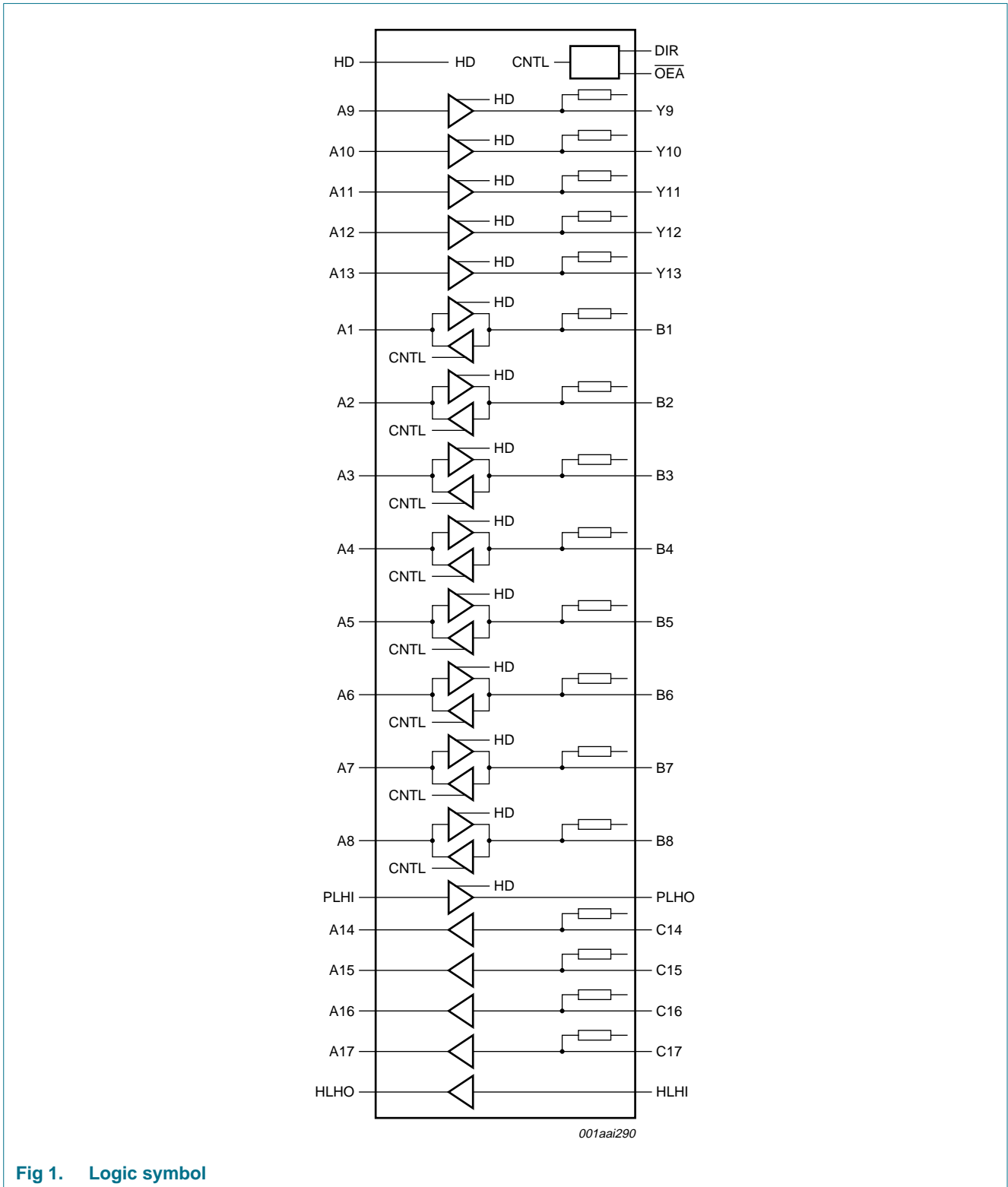


Fig 1. Logic symbol

## 5. Pinning information

### 5.1 Pinning

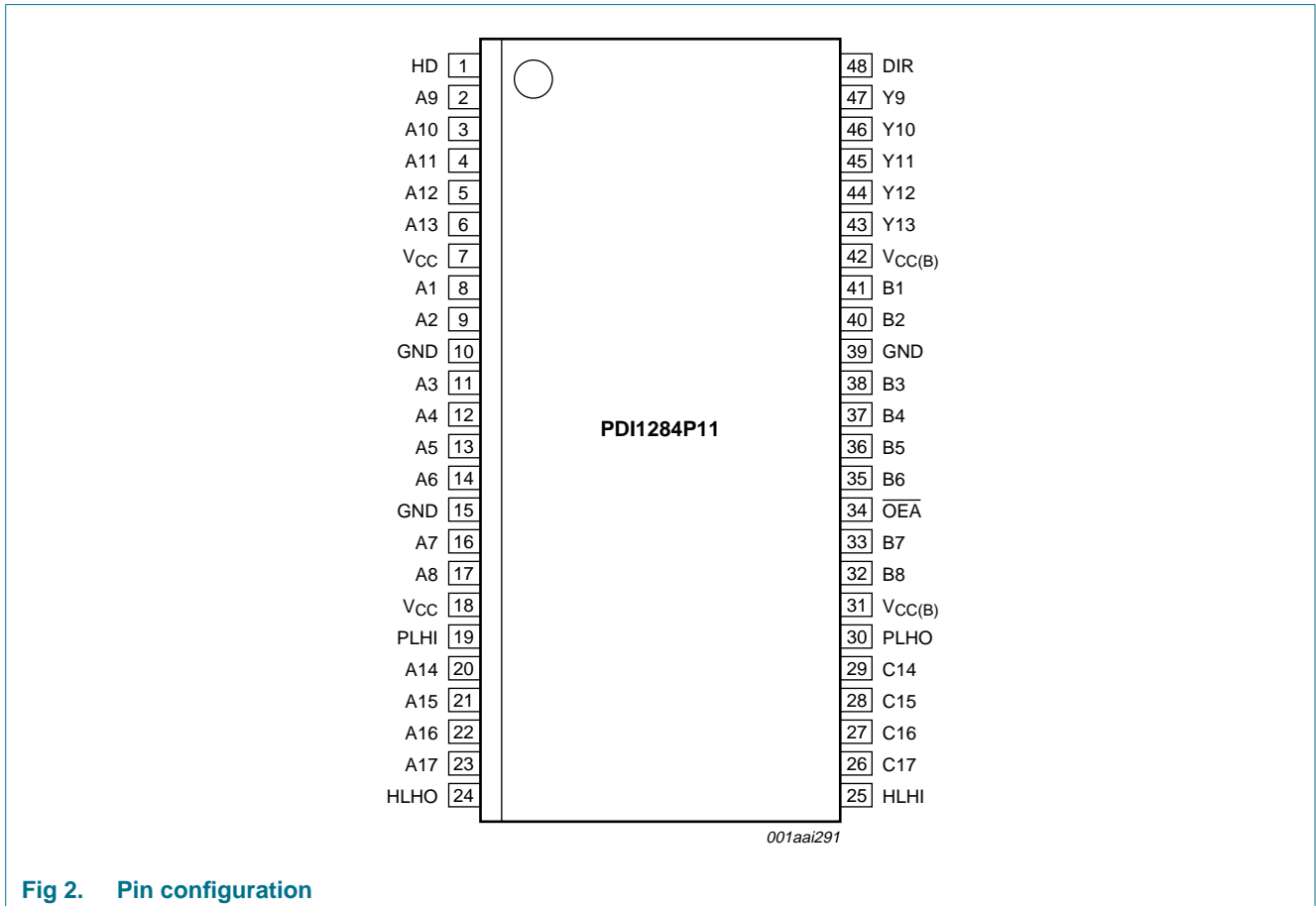


Fig 2. Pin configuration

### 5.2 Pin description

Table 2. Pin description

Symbol	Pin	Description
HD	1	high drive enable/disable input
A1 to A8	8, 9, 11, 12, 13, 14, 16, 17	data input/output
B1 to B8	41, 40, 38, 37, 36, 35, 33, 32	IEEE 1284 standard output/input <sup>[1]</sup>
A9 to A13	2, 3, 4, 5, 6	data input
Y9 to Y13	47, 46, 45, 44, 43	IEEE 1284 standard output <sup>[1]</sup>
C14 to C17	29, 28, 27, 26	control input (cable) <sup>[1]</sup>
A14 to A17	20, 21, 22, 23	control output (peripheral)
V <sub>CC</sub>	7, 18	supply voltage
GND	10, 15, 39	ground (0 V)
PLHI	19	peripheral logic high input (peripheral)

Table 2. Pin description ...continued

Symbol	Pin	Description
HLHO	24	host logic high output (cable)
HLHI	25	host logic high input (cable)
PLHO	30	peripheral logic high output (cable)
V <sub>CC(B)</sub>	31, 42	supply voltage B (cable side 3 V/5 V)
$\overline{\text{OEA}}$	34	A side output enable input (active LOW)
DIR	48	direction selection input

[1] Pin with pull-up resistor to load cable.

## 6. Functional description

### 6.1 Function selection

Table 3. Function table<sup>[1]</sup>

DIR	$\overline{\text{OEA}}$	HD	Input	Output	Output type
X	X	X	C14 to C17	A14 to A17	TP
X	X	X	HLHI	HLHO	TP
X	X	L	A9 to A13	Y9 to Y13	RP
X	X	H	A9 to A13	Y9 to Y13	TP
X	X	L	PLHI	PLHO	OC
X	X	H	PLHI	PLHO	TP
H	X	L	A1 to A8	B1 to B8	RP
H	X	H	A1 to A8	B1 to B8	TP
L	L	X	B1 to B8	A1 to A8	TP
L	H	X	-	A1 to A8	Z <sup>[2]</sup>
L	H	X	B1 to B8	-	RP <sup>[2]</sup>

[1] An = side driving internal IC;

Bn = side driving external cable (bidirectional);

Cn = side receiving control signals from external cable;

H = HIGH voltage level;

L = LOW voltage level;

OC = Open Collector;

X = don't care (control signals in);

Yn = side driving external cable (unidirectional);

Z = high impedance (high-Z) or 3-state;

TP = totem pole output;

RP = resistive pull-up: 1.4 k $\Omega$  (nominal) on B/Y/C cable side and V<sub>CC</sub>. However, while a B/Y side output is LOW as driven by a LOW signal on the A side, that particular B/Y side resistor is switched off to stop current drain from V<sub>CC</sub> through it.

[2] When DIR = L and  $\overline{\text{OEA}}$  = H, the output signal is isolated from the input signal. Signals B1 to B8 maintain a resistive pull-up of 1.4 k $\Omega$  on the input for this mode.

## 7. Limiting values

**Table 4. Limiting values**

In accordance with the Absolute Maximum Rating System (IEC 60134).<sup>[1]</sup>

Symbol	Parameter	Conditions	Min	Max	Unit
$V_{CC}$	supply voltage	pins $V_{CC}$	-0.5	+4.6	V
$V_{CC(B)}$	supply voltage B	pins $V_{CC(B)}$ ; cable side 3 V/5 V	-0.5	+6.5	V
$I_{IK}$	input clamping current	$V_I < 0$ V	-	±20	mA
$I_{OK}$	output clamping current	$V_O < 0$ V	-	±50	mA
$V_I$	input voltage		<sup>[2]</sup> -0.5	+5.5	V
$V_O$	output voltage	B/Y side	<sup>[2]</sup> -0.5	+5.5	V
		A side	-0.5	$V_{CC} + 0.5$	V
$V_{trt}$	transient voltage	B/Y side; 40 ns transient	<sup>[3]</sup> -2	+7	V
$I_{CC}$	supply current		-	200	mA
$I_{GND}$	ground current		-200	-	mA
$I_O$	output current	output HIGH or LOW	-	±50	mA
$T_{stg}$	storage temperature		-60	+150	°C
$P_{tot}$	total power dissipation	$T_{amb} = 0$ °C to +70 °C	<sup>[4]</sup> -	500	mW

- [1] The performance capability of a high-performance integrated circuit in conjunction with its thermal environment can create junction temperatures which are detrimental to reliability.
- [2] The input and output voltage ratings may be exceeded if the input and output current ratings are observed.
- [3]  $V_{trt}$  guarantees only that the PDI1284P11 will not be damaged by reflections in application so long as the voltage levels remain in the specified range.
- [4] Above 60 °C the value of  $P_{tot}$  derates linearly with 5.5 mW/K.

## 8. Recommended operating conditions

**Table 5. Operating conditions**

Symbol	Parameter	Conditions	Min	Max	Unit
$V_{CC}$	supply voltage	pins $V_{CC}$	3.0	3.6	V
$V_{CC(B)}$	supply voltage B	pins $V_{CC(B)}$ ; cable side 3 V/5 V	3.0	5.5	V
$V_{IH}$	HIGH-level input voltage		2.0	-	V
$V_{IL}$	LOW-level input voltage		-	0.8	V
$V_O$	output voltage	pins Bn, Yn	-0.5	+5.5	V
		pins An	0	$V_{CC}$	V
$I_{OH}$	HIGH-level output current	pins Bn, Yn	-	-14	mA
$I_{OL}$	LOW-level output current	pins Bn, Yn	-	14	mA
$T_{amb}$	ambient temperature	free-air	0	70	°C

## 9. Static characteristics

**Table 6. Static characteristics**

$T_{amb} = 0\text{ }^{\circ}\text{C}$  to  $70\text{ }^{\circ}\text{C}$ ; ground = 0 V; unless specified otherwise.

Symbol	Parameter	Conditions	Min	Typ	Max	Unit	
V <sub>IL</sub>	LOW-level input voltage	An, Bn, Cn and PLHI inputs; V <sub>CC</sub> = 3.0 V to 3.6 V	-	-	0.8	V	
		HLHI input; V <sub>CC</sub> = 3.0 V	-	-	1.55	V	
V <sub>IH</sub>	HIGH-level input voltage	An, Bn, PLHI inputs; V <sub>CC</sub> = 3.0 V to 3.6 V	2.0	-	-	V	
		Cn inputs; V <sub>CC</sub> = 3.0 V to 3.6 V	2.3	-	-	V	
		HLHI input; V <sub>CC</sub> = 3.6 V	2.6	-	-	V	
V <sub>H</sub>	hysteresis voltage	An, Bn inputs; V <sub>CC</sub> = 3.3 V; V <sub>IL</sub> = 0.8 V; V <sub>IH</sub> = 2.0 V	[1]	0.4	0.47	-	V
		Cn inputs; V <sub>CC</sub> = 3.3 V	[1]	0.8	0.47	-	V
V <sub>OL</sub>	LOW-level output voltage	pins An, HLHO; I <sub>OL</sub> = 50 μA; V <sub>CC</sub> = 3.0 V	-	-	0.2	V	
		pins An, HLHO; I <sub>OL</sub> = 4 mA; V <sub>CC</sub> = 3.0 V	-	-	0.4	V	
		pins Bn, Yn; I <sub>OL</sub> = 14 mA; V <sub>CC</sub> = 3.0 V	-	-	0.77	V	
		pin PLHO; I <sub>OL</sub> = 500 μA; V <sub>CC</sub> = 3.0 V	-	-	0.8	V	
V <sub>OH</sub>	HIGH-level output voltage	pins An, HLHO; I <sub>OH</sub> = -500 μA; V <sub>CC</sub> = 3.0 V	2.8	-	-	V	
		pins An, HLHO; I <sub>OH</sub> = -4 mA; V <sub>CC</sub> = 3.0 V	2.4	-	-	V	
		pins Bn, Yn; I <sub>OH</sub> = -14 mA; V <sub>CC</sub> = 3.0 V	2.23	-	-	V	
		pin PLHO; I <sub>OH</sub> = 500 μA; V <sub>CC</sub> = 3.15 V	3.1	-	-	V	
I <sub>CC</sub>	supply current	V <sub>I</sub> = 0 V or V <sub>CC</sub> ; I <sub>O</sub> = 0 A	[1]	-	5	-	μA
		pins V <sub>CC</sub> and V <sub>CC(B)</sub> ; V <sub>CC</sub> = 3.6 V; V <sub>CC(B)</sub> = 3.6 V to 5.5 V; V <sub>I</sub> = 0 V or V <sub>CC</sub> ; pins Bn = V <sub>CC(B)</sub> ; pins Cn = V <sub>CC(B)</sub> or floating	-	0.1	100	-	μA
		pins V <sub>CC(B)</sub> ; V <sub>CC</sub> = 3.6 V; V <sub>I</sub> = 0 V or V <sub>CC</sub> ; pins Cn = 0 V	[2]	-	-	-	-
		pin DIR = 3.6 V; V <sub>CC(B)</sub> = 3.6 V	-	10	15	-	mA
		pin DIR = 3.6 V; V <sub>CC(B)</sub> = 5.5 V	-	16	20	-	mA
		pin DIR = 0 V; V <sub>CC(B)</sub> = 3.6 V; pins Bn = 0 V	-	30	40	-	mA
I <sub>OFF</sub>	power-off leakage current	pins Bn, Cn, Yn; V <sub>O</sub> = 5.5 V; V <sub>CC</sub> = 0 V	-	-	-	-	
		V <sub>CC(B)</sub> = 0 V	-	-	±100	μA	
		V <sub>CC(B)</sub> = 4.5 V	-	-	±100	μA	
I <sub>I</sub>	input leakage current	V <sub>I</sub> = 0 V to V <sub>CC</sub>	[3]	-	-	±1	μA
I <sub>OZ</sub>	OFF-state output current	3-state; V <sub>O</sub> = V <sub>CC</sub> or 0 V	[3]	-	-	±20	μA
R <sub>o</sub>	output resistance	V <sub>CC</sub> = 3.3 V; see <a href="#">Figure 9</a>	-	-	-	-	
		V <sub>O</sub> = 1.65 V ± 0.1 V; B/Y side	[1]	35	45	55	Ω
R <sub>PU</sub>	pull-up resistance	B/Y side; V <sub>CC</sub> = 3.3 V; output in high-Z with resistive pull-up	[1]	1.15	1.4	1.65	kΩ

[1] Typical values at T<sub>amb</sub> = 25 °C.

[2] Includes extra I<sub>CC(B)</sub> current from pull-up resistors, i.e. I<sub>CC(B)</sub> = (total number of LOW inputs on B and C sides) × (V<sub>CC(B)</sub> / R<sub>PU</sub>).

[3] The pull-up resistor on the B side outputs makes it impossible to test I<sub>OZ</sub> on the B side. This applies to the input current on the C side inputs as well.

## 10. Dynamic characteristics

**Table 7. Dynamic characteristics**

$V_{CC} = 3.0\text{ V to }3.6\text{ V}$ ; ground = 0 V;  $C_L = 50\text{ pF}$ ;  $R_L = 500\ \Omega$ ;  $T_{amb} = 0\text{ }^\circ\text{C to }70\text{ }^\circ\text{C}$ ; unless specified otherwise.

Symbol	Parameter	Conditions	Min	Typ <sup>[2]</sup>	Max	Unit	
$t_{PLH}$	LOW to HIGH propagation delay	An to Bn or Yn; see <a href="#">Figure 3</a> and <a href="#">8</a>	0	12.5	20	ns	
$t_{PHL}$	HIGH to LOW propagation delay	An to Bn or Yn; see <a href="#">Figure 3</a> and <a href="#">8</a>	0	13.9	23	ns	
$t_{pd}$	propagation delay	see <a href="#">Figure 4</a> and <a href="#">8</a>	[1]				
		Bn to An	0	-	12	ns	
		Cn to An	-	-	15	ns	
		PLHI to PLHO	-	-	20	ns	
		HLHI to HLHO	-	-	15	ns	
SR	slew rate	Bn/Yn; $R_L = 62\ \Omega$ ; see <a href="#">Figure 5</a> and <a href="#">8</a>	0.05	0.2	0.4	V/ns	
$t_{dis}$	disable time	HD to Yn or Bn; see <a href="#">Figure 6</a> and <a href="#">8</a>	[3]	-	20	ns	
		HD to PLHO; see <a href="#">Figure 6</a> and <a href="#">7</a>	[3]	-	20	ns	
		$R_L = 250\ \Omega$ ; see <a href="#">Figure 6</a> and <a href="#">7</a>	[3]				
		DIR to Bn; TP load on B/Y side	-	-	50	ns	
		DIR to An	-	-	15	ns	
		$\overline{\text{OEA}}$ to An	-	-	6	ns	
$t_{en}$	enable time	HD to Yn or Bn; see <a href="#">Figure 6</a> and <a href="#">7</a>	[4]	-	20	ns	
		HD to PLHO; see <a href="#">Figure 6</a> and <a href="#">7</a>	[4]	-	20	ns	
		$R_L = 250\ \Omega$ ; see <a href="#">Figure 6</a> and <a href="#">7</a>	[4]				
		DIR to Bn; TP load on B/Y side	-	-	30	ns	
		DIR to An	-	-	50	ns	
		$\overline{\text{OEA}}$ to An	-	-	12	ns	
$\Delta t_{PD}$	propagation delay difference	$t_{PZH} - t_{PHZ}$ ; HD to output	-	-	10	ns	

[1]  $t_{pd}$  is the same as  $t_{PLH}$  and  $t_{PHL}$ .

[2] Value at  $T_{amb} = 25\text{ }^\circ\text{C}$  and  $V_{CC} = 3.3\text{ V}$ .

[3]  $t_{dis}$  is the same as  $t_{PHZ}$  and  $t_{PLZ}$ .

[4]  $t_{en}$  is the same as  $t_{PZH}$  and  $t_{PZL}$ .



## 11. Waveforms

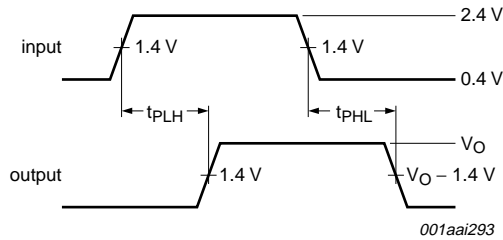
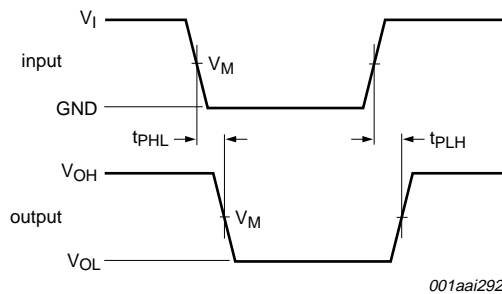
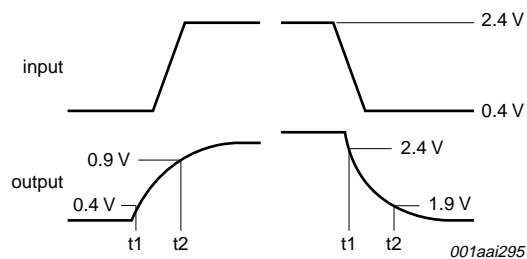


Fig 3. Input An to output Bn or Yn propagation delays



$V_M = 1.5\text{ V}$ .  
 $V_{CC}$  never goes below 3.0 V.  
 $V_{OL}$  and  $V_{OH}$  are the typical voltage output levels that occur with the output load.

Fig 4. Input Bn, Cn to output An propagation delays

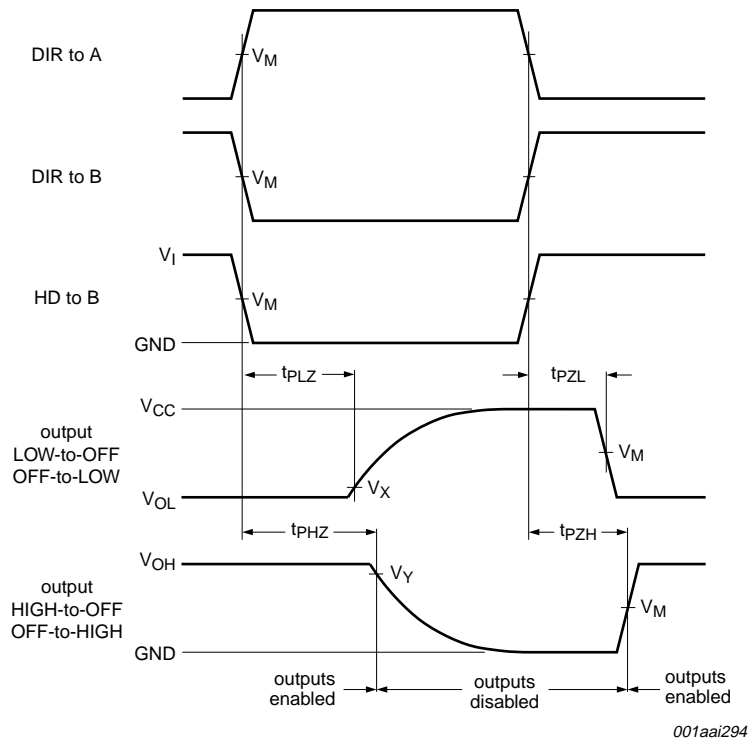


Measurement data is given in [Table 8](#).  
 SR is measured for both a LOW-to-HIGH and a HIGH-to-LOW transition.

Fig 5. Slew rate on B/Y side

Table 8. Slew rate measurements

$t_r$	$t_f$	$t_w$	$R_L$	$V_O$ transition (see <a href="#">Figure 8</a> )	
				Rising	Falling
3 ns	3 ns	$150\text{ ns} < t_w < 10\text{ }\mu\text{s}$	$62\text{ }\Omega$	from $V_O = 0.4\text{ V}$ to $V_O = 0.9\text{ V}$	from $V_O = 2.4\text{ V}$ to $V_O = 1.9\text{ V}$

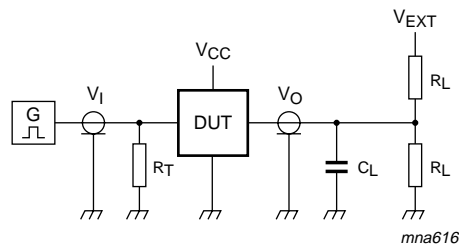


Test circuit is shown in [Figure 7](#).

Measurement points are given in [Table 9](#).

$V_{OL}$  and  $V_{OH}$  are the typical voltage output levels that occur with the output load.

**Fig 6. Enable and disable times**

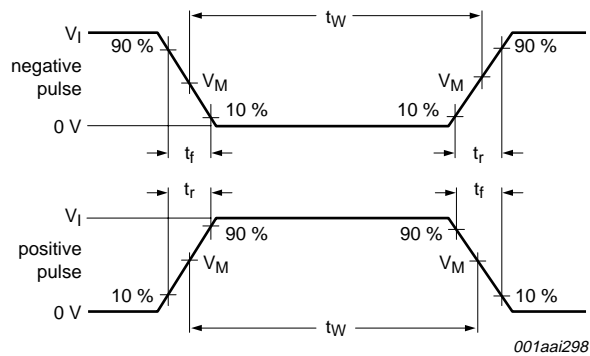


Test conditions are given in [Table 9](#).

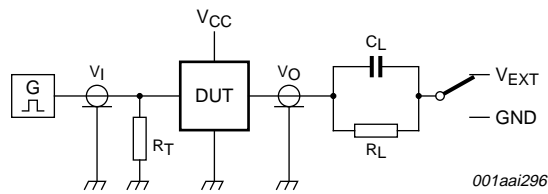
**Fig 7. Test circuit for measuring enable and disable times**

**Table 9. Test data for test circuit measuring enable disable times Bn to An**

Parameter	$V_{CC}$	Input		Output			$V_{EXT}$	
		$V_I$	$V_M$	$V_M$	$V_X$	$V_Y$	$t_{PZH}, t_{PHZ}$	$t_{PLZ}, t_{PLZ}$
DIR to Bn, An; OEA to An	< 2.7 V	$V_{CC}$	1.5 V	1.5 V	$V_{OL} \pm 0.3 V$	$V_{OH} - 0.3 V$	GND	$2V_{CC}$
	2.7 V to 3.6 V	2.7 V	1.5 V	1.5 V	$V_{OL} \pm 0.3 V$	$V_{OH} - 0.3 V$	GND	$2V_{CC}$
HD to Yn or Bn; HD to PHLO	< 2.7 V	$V_{CC}$	1.5 V	1.5 V	-	$V_{OH} - 0.3 V$	open	-
	2.7 V to 3.6 V	2.7 V	1.5 V	1.5 V	-	$V_{OH} - 0.3 V$	open	-



a. Input pulse definition



b. Test circuit

$C_L$  = load capacitance includes jig and probe capacitance.

$R_L$  = load resistance.

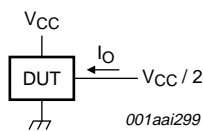
$R_T$  = termination resistance should be equal to the output impedance of the pulse generator.

Test conditions for propagation delays are given in [Table 10](#), test conditions for slew rate are given in [Table 8](#)

**Fig 8. Test circuit for An, Bn and Yn outputs; slew rate B/Y side**

**Table 10. Test conditions for An, Bn and Yn outputs**

Output	$V_I$	$V_M$	Repetition rate	$t_W$	$t_r$	$t_f$	Switch position	
							$t_{PLH}, t_{PZH}$	$t_{PHL}, t_{PHZ}$
An	3.0 V	1.5 V	1 MHz	500 ns	3 ns	3 ns	GND	GND
Bn, Yn	3.0 V	1.5 V	1 MHz	500 ns	3 ns	3 ns	GND	$V_{EXT} = 2.8 V$



$I_O$  is measured by forcing  $0.5V_{CC}$  on the output. The output impedance can then be calculated as  $R_o = 0.5V_{CC} / |I_O|$ .

**Fig 9. Output impedance**

12. Package outline

SSOP48: plastic shrink small outline package; 48 leads; body width 7.5 mm

SOT370-1

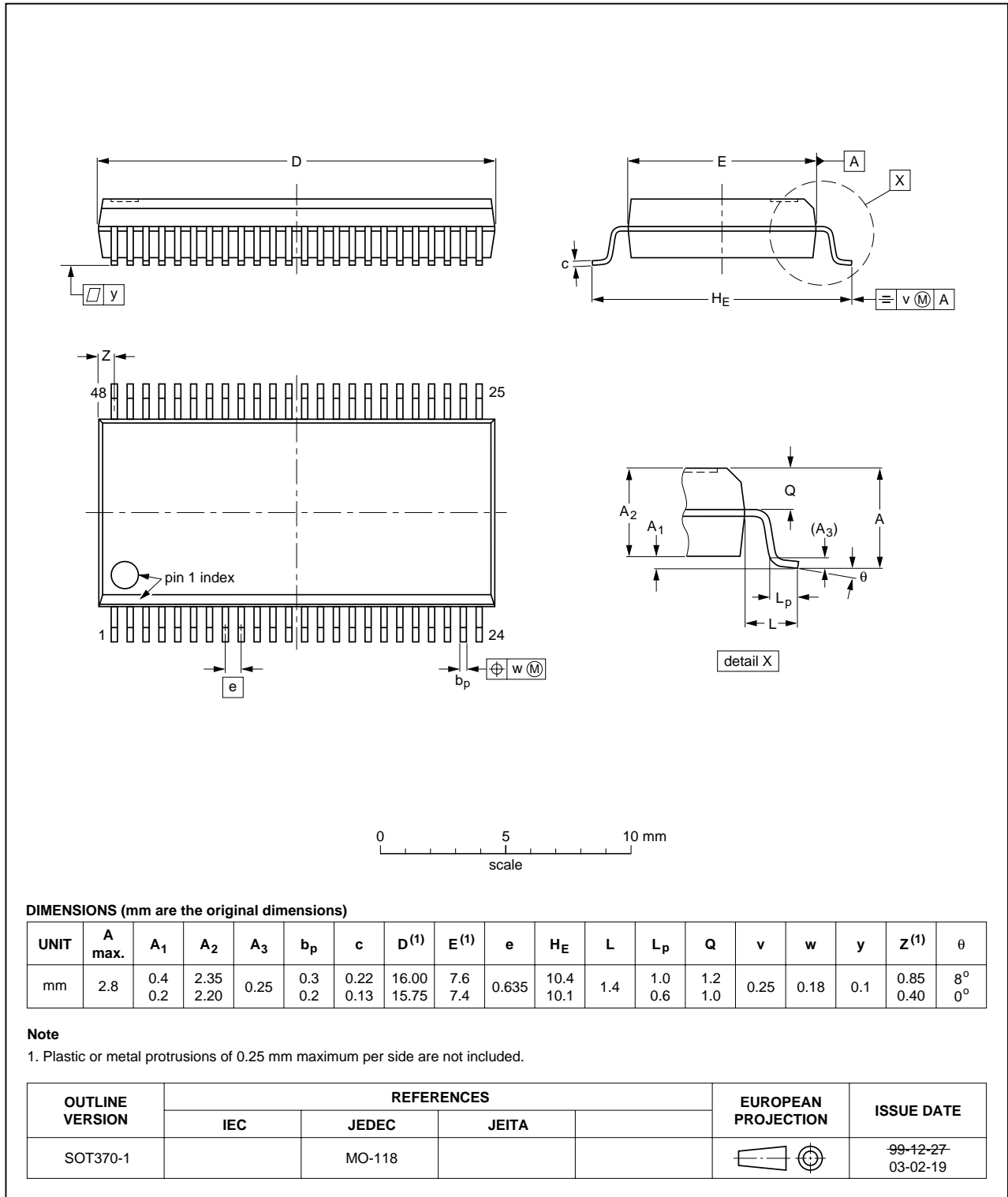


Fig 10. Package outline SOT370-1 (SSOP48)

TSSOP48: plastic thin shrink small outline package; 48 leads; body width 6.1 mm

SOT362-1

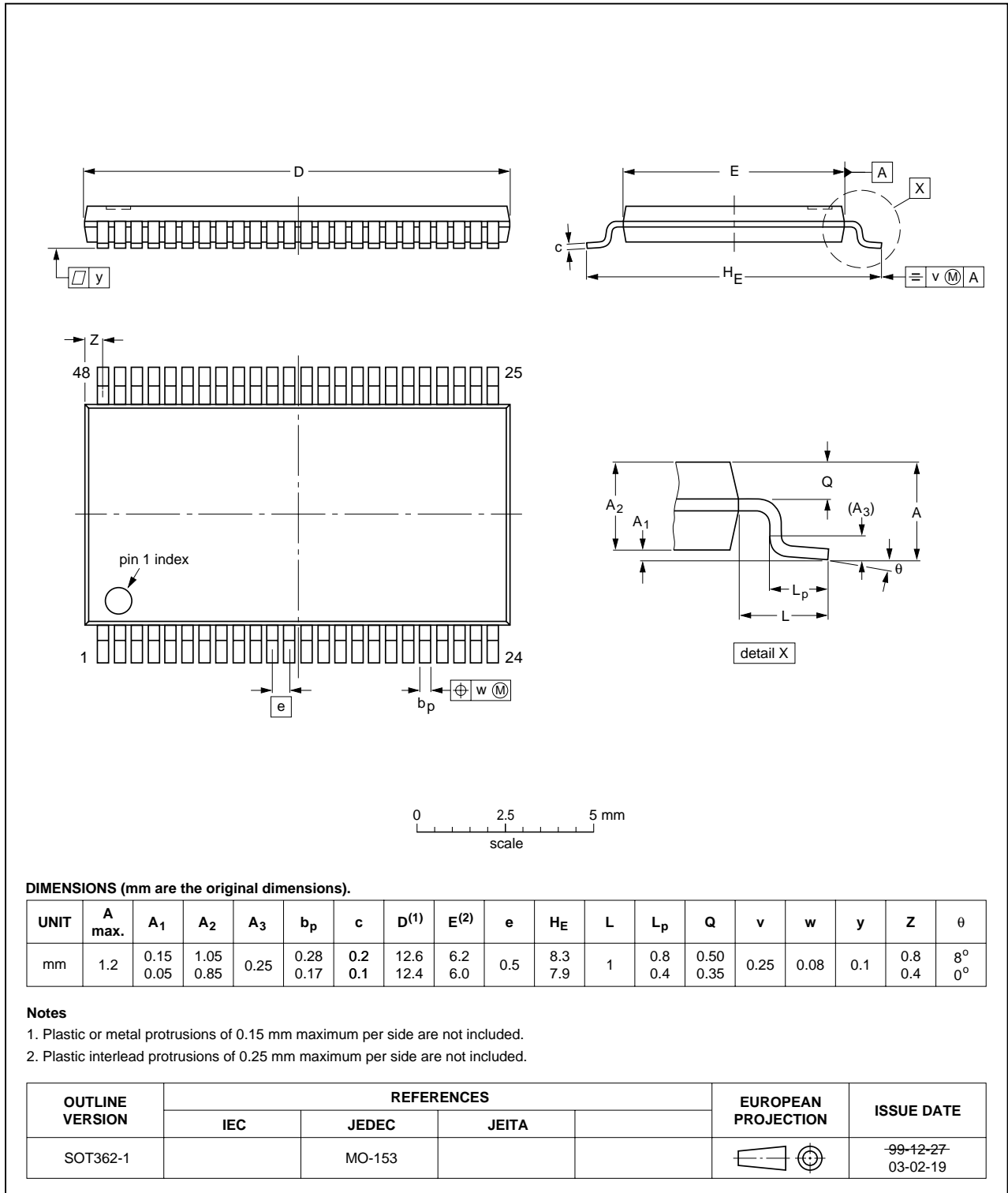


Fig 11. Package outline SOT362-1 (TSSOP48)

## 13. Abbreviations

Table 11. Abbreviations

Acronym	Description
CDM	Charged Device Model
CMOS	Complementary Metal-Oxide Semiconductor
DUT	Device Under Test
ECP	Extended Capability Port
EPP	Enhanced Parallel Port
ESD	ElectroStatic Discharge
HBM	Human Body Model
LSTTL	Low-power Schottky Transistor-Transistor Logic
MM	Machine Model
TTL	Transistor-Transistor Logic

## 14. Revision history

Table 12. Revision history

Document ID	Release date	Data sheet status	Change notice	Supersedes
PDI1284P11_3	20080825	Product data sheet	-	PDI1284P11_2
Modifications:	<ul style="list-style-type: none"> <li>The format of this data sheet has been redesigned to comply with the new identity guidelines of NXP Semiconductors</li> <li>Legal texts have been adapted to the new company name where appropriate.</li> <li>Quick reference table removed.</li> <li><a href="#">Table 7</a>, <math>t_{PHL}</math>: Maximum value of 20 ns replaced by 23 ns.</li> <li><a href="#">Table 11</a>: Abbreviations list added.</li> </ul>			
PDI1284P11_2	19990917	Product specification	-	PDI1284P11_1
PDI1284P11_1	19970915	Product specification	-	-

## 15. Legal information

### 15.1 Data sheet status

Document status <sup>[1][2]</sup>	Product status <sup>[3]</sup>	Definition
Objective [short] data sheet	Development	This document contains data from the objective specification for product development.
Preliminary [short] data sheet	Qualification	This document contains data from the preliminary specification.
Product [short] data sheet	Production	This document contains the product specification.

[1] Please consult the most recently issued document before initiating or completing a design.

[2] The term 'short data sheet' is explained in section "Definitions".

[3] The product status of device(s) described in this document may have changed since this document was published and may differ in case of multiple devices. The latest product status information is available on the Internet at URL <http://www.nexperia.com>.

### 15.2 Definitions

**Draft** — The document is a draft version only. The content is still under internal review and subject to formal approval, which may result in modifications or additions. Nexperia does not give any representations or warranties as to the accuracy or completeness of information included herein and shall have no liability for the consequences of use of such information.

**Short data sheet** — A short data sheet is an extract from a full data sheet with the same product type number(s) and title. A short data sheet is intended for quick reference only and should not be relied upon to contain detailed and full information. For detailed and full information see the relevant full data sheet, which is available on request via the local Nexperia sales office. In case of any inconsistency or conflict with the short data sheet, the full data sheet shall prevail.

### 15.3 Disclaimers

**General** — Information in this document is believed to be accurate and reliable. However, Nexperia does not give any representations or warranties, expressed or implied, as to the accuracy or completeness of such information and shall have no liability for the consequences of use of such information.

**Right to make changes** — Nexperia reserves the right to make changes to information published in this document, including without limitation specifications and product descriptions, at any time and without notice. This document supersedes and replaces all information supplied prior to the publication hereof.

**Suitability for use** — Nexperia products are not designed, authorized or warranted to be suitable for use in medical, military, aircraft, space or life support equipment, nor in applications where failure or

malfunction of a Nexperia product can reasonably be expected to result in personal injury, death or severe property or environmental damage. Nexperia accepts no liability for inclusion and/or use of Nexperia products in such equipment or applications and therefore such inclusion and/or use is at the customer's own risk.

**Applications** — Applications that are described herein for any of these products are for illustrative purposes only. Nexperia makes no representation or warranty that such applications will be suitable for the specified use without further testing or modification.

**Limiting values** — Stress above one or more limiting values (as defined in the Absolute Maximum Ratings System of IEC 60134) may cause permanent damage to the device. Limiting values are stress ratings only and operation of the device at these or any other conditions above those given in the Characteristics sections of this document is not implied. Exposure to limiting values for extended periods may affect device reliability.

**Terms and conditions of sale** — Nexperia products are sold subject to the general terms and conditions of commercial sale, as published at <http://www.nexperia.com/profile/terms>, including those pertaining to warranty, intellectual property rights infringement and limitation of liability, unless explicitly otherwise agreed to in writing by Nexperia. In case of any inconsistency or conflict between information in this document and such terms and conditions, the latter will prevail.

**No offer to sell or license** — Nothing in this document may be interpreted or construed as an offer to sell products that is open for acceptance or the grant, conveyance or implication of any license under any copyrights, patents or other industrial or intellectual property rights.

### 15.4 Trademarks

Notice: All referenced brands, product names, service names and trademarks are the property of their respective owners.

## 16. Contact information

For more information, please visit: <http://www.nexperia.com>

For sales office addresses, please send an email to: [salesaddresses@nexperia.com](mailto:salesaddresses@nexperia.com)

## 17. Contents

<b>1</b>	<b>General description</b> .....	<b>1</b>
<b>2</b>	<b>Features</b> .....	<b>1</b>
<b>3</b>	<b>Ordering information</b> .....	<b>2</b>
<b>4</b>	<b>Functional diagram</b> .....	<b>3</b>
<b>5</b>	<b>Pinning information</b> .....	<b>4</b>
5.1	Pinning .....	4
5.2	Pin description .....	4
<b>6</b>	<b>Functional description</b> .....	<b>5</b>
6.1	Function selection .....	5
<b>7</b>	<b>Limiting values</b> .....	<b>6</b>
<b>8</b>	<b>Recommended operating conditions</b> .....	<b>6</b>
<b>9</b>	<b>Static characteristics</b> .....	<b>7</b>
<b>10</b>	<b>Dynamic characteristics</b> .....	<b>8</b>
<b>11</b>	<b>Waveforms</b> .....	<b>9</b>
<b>12</b>	<b>Package outline</b> .....	<b>12</b>
<b>13</b>	<b>Abbreviations</b> .....	<b>14</b>
<b>14</b>	<b>Revision history</b> .....	<b>14</b>
<b>15</b>	<b>Legal information</b> .....	<b>15</b>
15.1	Data sheet status .....	15
15.2	Definitions .....	15
15.3	Disclaimers .....	15
15.4	Trademarks .....	15
<b>16</b>	<b>Contact information</b> .....	<b>15</b>
<b>17</b>	<b>Contents</b> .....	<b>16</b>



单击下面可查看定价，库存，交付和生命周期等信息

[>>Nexperia\(安世\)](#)