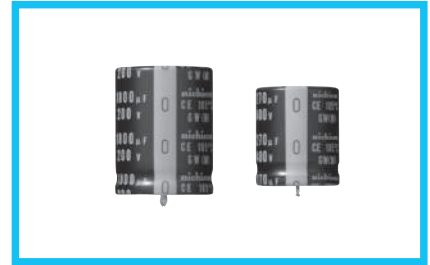
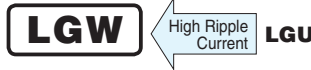


# LGW

Snap-in Terminal Type, 105°C High Ripple Current



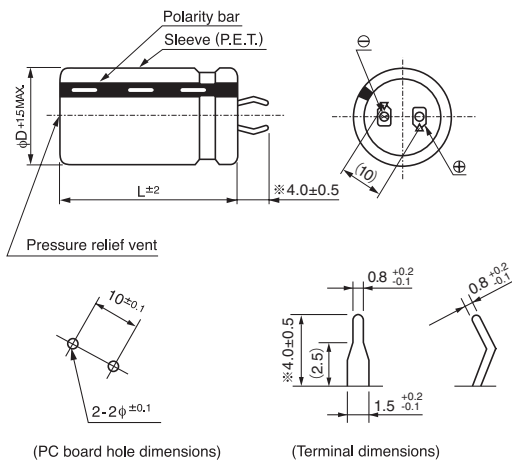
- High Ripple current.
- Withstanding 3000 hours application of rated ripple current at 105°C.
- Compliant to the RoHS directive (2011/65/EU,(EU)2015/863).



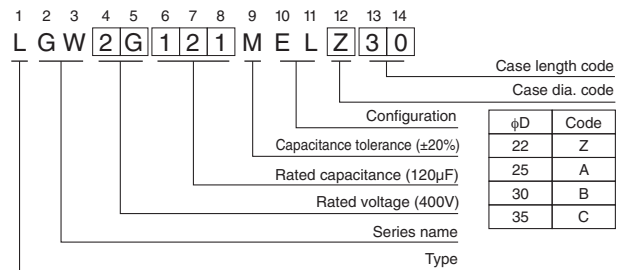
## Specifications

| Item                          | Performance Characteristics   |   |      |
|-------------------------------|---|---|------|
| Category Temperature Range    | - 40 to +105°C (200 · 250V) , - 25 to +105°C (400 · 450V)   |   |      |
| Rated Voltage Range           | 200 to 450V   |   |      |
| Rated Capacitance Range       | 82 to 2200μF  |   |      |
| Capacitance Tolerance         | ±20% at 120Hz, 20°C   |   |      |
| Leakage Current               | $I \leq 3 \cdot \sqrt{CV}$ (μA) (After 5 minutes' application of rated voltage) [C : Rated Capacitance (μF) V : Voltage (V)]  |   |      |
| Tangent of loss angle (tan δ) | Rated voltage(V)  | 200 to 400  | 450  |
|                               | tan δ (MAX.)  | 0.15  | 0.20 |
| Stability at Low Temperature  | Measurement frequency : 120Hz   |   |      |
|                               | Rated voltage(V)  |   |      |
|                               | Impedance ratio   | Z-25°C/Z+20°C                                     | 3    |
| Endurance                     | Measurement frequency : 120Hz   |   |      |
|                               | Rated voltage(V)  |   |      |
|                               | ZT/Z20 (MAX.)   | Z-40°C/Z+20°C                                     | 12   |
| Shelf Life                    | The specifications listed at right shall be met when the capacitors are restored to 20°C after D.C. bias plus rated ripple current is applied for 3000 hours at 105°C, the peak voltage shall not exceed the rated voltage. |   |      |
|                               | Capacitance change  | Within ±20% of the initial capacitance value      |      |
|                               | tan δ   | 200% or less than the initial specified value     |      |
| Marking                       | After storing the capacitors under no load at 105°C for 1000 hours and then performing voltage treatment based on JIS C 5101-4 clause 4.1 at 20°C, they shall meet the requirements listed at right.                        |   |      |
|                               | Capacitance change  | Within ±15% of the initial capacitance value      |      |
|                               | tan δ   | 150% or less than the initial specified value     |      |
| Marking                       | Printed with white color letter on black sleeve.  |   |      |
|                               | Leakage current   | Less than or equal to the initial specified value |      |
|                               | Leakage current   | Less than or equal to the initial specified value |      |

## Drawing



## Type numbering system (Example : 400V 120μF)



※ Other terminations available upon request.  
Please refer to the Guidelines for Aluminum Electrolytic Capacitors.

## Frequency coefficient of rated ripple current

| Frequency (Hz) | 50   | 60   | 120  | 300  | 1k   | 10k  | 50k or more |
|----------------|------|------|------|------|------|------|-------------|
| Coeff.         | 0.81 | 0.85 | 1.00 | 1.17 | 1.32 | 1.45 | 1.50        |
|                | 0.77 | 0.82 | 1.00 | 1.16 | 1.30 | 1.41 | 1.43        |

Minimum order quantity : 50pcs.

● Dimension table in next page.

LGW

■ Dimensions

| 200V (2D) |                 |                      |                      |                |
|-----------|-----------------|----------------------|----------------------|----------------|
| Cap. (μF) | Size φD x L(mm) | Rated ripple (mArms) | Leakage Current (mA) | Code           |
| 330       | 22 x 25         | 1970                 | 0.77                 | LGW2D331MELZ25 |
| 470       | 22 x 30         | 2170                 | 0.91                 | LGW2D471MELZ30 |
|           | 25 x 25         | 2170                 | 0.91                 | LGW2D471MELA25 |
| 560       | 22 x 35         | 2220                 | 1.00                 | LGW2D561MELZ35 |
|           | 25 x 30         | 2300                 | 1.00                 | LGW2D561MELA30 |
| 680       | 22 x 40         | 2300                 | 1.10                 | LGW2D681MELZ40 |
|           | 25 x 35         | 2650                 | 1.10                 | LGW2D681MELA35 |
|           | 30 x 25         | 3080                 | 1.10                 | LGW2D681MELB25 |
| 820       | 22 x 45         | 2650                 | 1.21                 | LGW2D821MELZ45 |
|           | 25 x 40         | 3080                 | 1.21                 | LGW2D821MELA40 |
|           | 30 x 30         | 3480                 | 1.21                 | LGW2D821MELB30 |
|           | 35 x 25         | 3480                 | 1.21                 | LGW2D821MELC25 |
| 1000      | 25 x 45         | 3450                 | 1.34                 | LGW2D102MELA45 |
|           | 30 x 35         | 3980                 | 1.34                 | LGW2D102MELB35 |
| 1200      | 25 x 50         | 3980                 | 1.46                 | LGW2D122MELA50 |
|           | 30 x 40         | 4200                 | 1.46                 | LGW2D122MELB40 |
|           | 35 x 30         | 4200                 | 1.46                 | LGW2D122MELC30 |
| 1500      | 30 x 45         | 4620                 | 1.64                 | LGW2D152MELB45 |
|           | 35 x 35         | 4200                 | 1.64                 | LGW2D152MELC35 |
| 1800      | 30 x 50         | 5220                 | 1.80                 | LGW2D182MELB50 |
|           | 35 x 40         | 4620                 | 1.80                 | LGW2D182MELC40 |
| 2200      | 35 x 45         | 5220                 | 1.98                 | LGW2D222MELC45 |

| 250V (2E) |                 |                      |                      |                |
|-----------|-----------------|----------------------|----------------------|----------------|
| Cap. (μF) | Size φD x L(mm) | Rated ripple (mArms) | Leakage Current (mA) | Code           |
| 270       | 22 x 25         | 1650                 | 0.77                 | LGW2E271MELZ25 |
| 330       | 22 x 30         | 1800                 | 0.86                 | LGW2E331MELZ30 |
|           | 25 x 25         | 1800                 | 0.86                 | LGW2E331MELA25 |
| 390       | 22 x 35         | 1950                 | 0.93                 | LGW2E391MELZ35 |
|           | 25 x 30         | 1950                 | 0.93                 | LGW2E391MELA30 |
| 470       | 22 x 40         | 2100                 | 1.02                 | LGW2E471MELZ40 |
|           | 30 x 25         | 2200                 | 1.02                 | LGW2E471MELB25 |
| 560       | 22 x 45         | 2250                 | 1.12                 | LGW2E561MELZ45 |
|           | 25 x 35         | 2250                 | 1.12                 | LGW2E561MELA35 |
| 680       | 22 x 50         | 2550                 | 1.23                 | LGW2E681MELZ50 |
|           | 25 x 40         | 2550                 | 1.23                 | LGW2E681MELA40 |
|           | 30 x 30         | 2550                 | 1.23                 | LGW2E681MELB30 |
|           | 35 x 25         | 2550                 | 1.23                 | LGW2E681MELC25 |
| 820       | 25 x 50         | 3000                 | 1.35                 | LGW2E821MELA50 |
|           | 30 x 35         | 3000                 | 1.35                 | LGW2E821MELB35 |
|           | 35 x 30         | 3000                 | 1.35                 | LGW2E821MELC30 |
| 1000      | 30 x 40         | 3300                 | 1.50                 | LGW2E102MELB40 |
|           | 35 x 35         | 3300                 | 1.50                 | LGW2E102MELC35 |
| 1200      | 30 x 50         | 3450                 | 1.64                 | LGW2E122MELB50 |
|           | 35 x 40         | 3450                 | 1.64                 | LGW2E122MELC40 |
| 1500      | 35 x 45         | 3750                 | 1.83                 | LGW2E152MELC45 |
| 1800      | 35 x 50         | 4050                 | 2.01                 | LGW2E182MELC50 |

| 400V (2G) |                 |                      |                      |                |
|-----------|-----------------|----------------------|----------------------|----------------|
| Cap. (μF) | Size φD x L(mm) | Rated ripple (mArms) | Leakage Current (mA) | Code           |
| 100       | 22 x 25         | 1020                 | 0.60                 | LGW2G101MELZ25 |
| 120       | 22 x 30         | 1220                 | 0.65                 | LGW2G121MELZ30 |
|           | 25 x 25         | 1220                 | 0.65                 | LGW2G121MELA25 |
| 150       | 22 x 35         | 1330                 | 0.73                 | LGW2G151MELZ35 |
|           | 22 x 40         | 1430                 | 0.80                 | LGW2G181MELZ40 |
| 180       | 25 x 30         | 1430                 | 0.80                 | LGW2G181MELA30 |
|           | 30 x 25         | 1680                 | 0.80                 | LGW2G181MELB25 |
| 220       | 22 x 45         | 1550                 | 0.88                 | LGW2G221MELZ45 |
|           | 25 x 35         | 1650                 | 0.88                 | LGW2G221MELA35 |
|           | 30 x 30         | 1790                 | 0.88                 | LGW2G221MELB30 |
| 270       | 22 x 50         | 1680                 | 0.98                 | LGW2G271MELZ50 |
|           | 25 x 40         | 1830                 | 0.98                 | LGW2G271MELA40 |
|           | 30 x 35         | 2120                 | 0.98                 | LGW2G271MELB35 |
|           | 35 x 25         | 2120                 | 0.98                 | LGW2G271MELC25 |
| 330       | 25 x 50         | 2120                 | 1.08                 | LGW2G331MELA50 |
|           | 30 x 40         | 2330                 | 1.08                 | LGW2G331MELB40 |
|           | 35 x 30         | 2330                 | 1.08                 | LGW2G331MELC30 |
| 390       | 30 x 45         | 2520                 | 1.18                 | LGW2G391MELB45 |
|           | 35 x 35         | 2520                 | 1.18                 | LGW2G391MELC35 |
| 470       | 30 x 50         | 2850                 | 1.30                 | LGW2G471MELB50 |
|           | 35 x 40         | 2850                 | 1.30                 | LGW2G471MELC40 |
| 560       | 35 x 45         | 3180                 | 1.41                 | LGW2G561MELC45 |
| 680       | 35 x 50         | 3210                 | 1.56                 | LGW2G681MELC50 |

| 450V (2W) |                 |                      |                      |                |
|-----------|-----------------|----------------------|----------------------|----------------|
| Cap. (μF) | Size φD x L(mm) | Rated ripple (mArms) | Leakage Current (mA) | Code           |
| 82        | 22 x 25         | 960                  | 0.57                 | LGW2W820MELZ25 |
| 100       | 22 x 30         | 1040                 | 0.63                 | LGW2W101MELZ30 |
|           | 25 x 25         | 1040                 | 0.63                 | LGW2W101MELA25 |
| 120       | 22 x 35         | 1150                 | 0.69                 | LGW2W121MELZ35 |
|           | 25 x 30         | 1220                 | 0.69                 | LGW2W121MELA30 |
| 150       | 22 x 40         | 1220                 | 0.77                 | LGW2W151MELZ40 |
|           | 25 x 35         | 1310                 | 0.77                 | LGW2W151MELA35 |
|           | 30 x 25         | 1310                 | 0.77                 | LGW2W151MELB25 |
| 180       | 22 x 45         | 1350                 | 0.85                 | LGW2W181MELZ45 |
|           | 25 x 40         | 1350                 | 0.85                 | LGW2W181MELA40 |
|           | 30 x 30         | 1600                 | 0.85                 | LGW2W181MELB30 |
|           | 35 x 25         | 1600                 | 0.85                 | LGW2W181MELC25 |
| 220       | 25 x 45         | 1550                 | 0.94                 | LGW2W221MELA45 |
|           | 30 x 35         | 1710                 | 0.94                 | LGW2W221MELB35 |
| 270       | 25 x 50         | 1740                 | 1.04                 | LGW2W271MELA50 |
|           | 30 x 40         | 1900                 | 1.04                 | LGW2W271MELB40 |
|           | 35 x 30         | 1900                 | 1.04                 | LGW2W271MELC30 |
| 330       | 30 x 45         | 2200                 | 1.15                 | LGW2W331MELB45 |
|           | 35 x 35         | 2200                 | 1.15                 | LGW2W331MELC35 |
| 390       | 30 x 50         | 2400                 | 1.25                 | LGW2W391MELB50 |
|           | 35 x 40         | 2420                 | 1.25                 | LGW2W391MELC40 |
| 470       | 35 x 45         | 2670                 | 1.37                 | LGW2W471MELC45 |
| 560       | 35 x 50         | 2850                 | 1.50                 | LGW2W561MELC50 |

Rated ripple current (mArms) at 105°C 120Hz

单击下面可查看定价，库存，交付和生命周期等信息

[>>Nichicon\(尼吉康\)](#)