

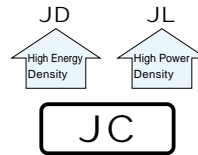
# ELECTRIC DOUBLE LAYER CAPACITORS "EVerCAP®"



## JC series Screw Terminal Type

- Excellent in voltage holding property.
- Suitable for quick charge and discharge.
- Wild temperature range (-25°C to +60°C).
- Adapted to the RoHS directive (2002/95/EC).

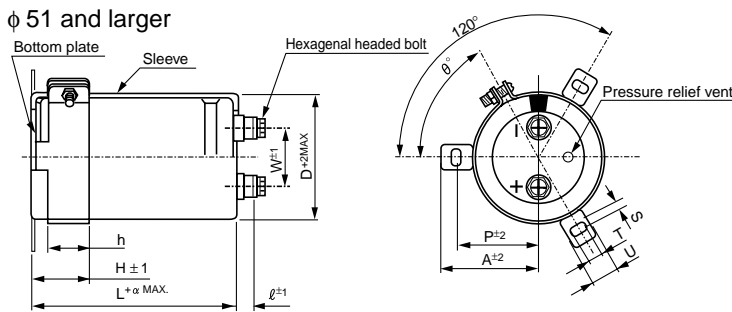
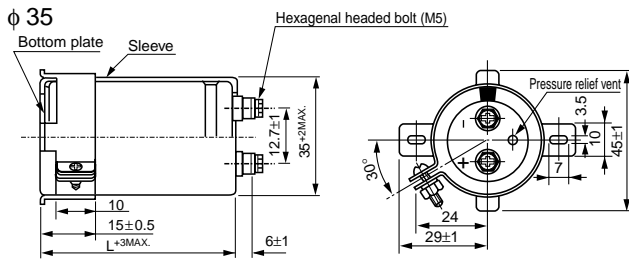
Products which are scheduled to be discontinued.  
Not recommended for new designs



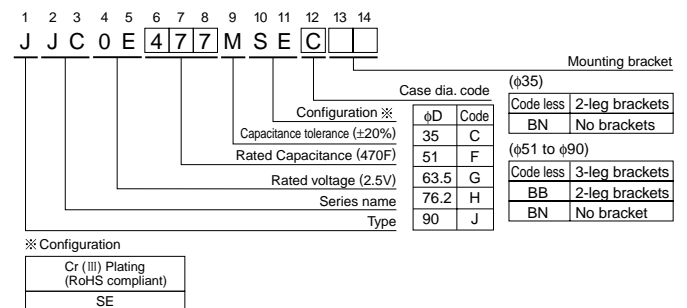
### Specifications

Item	Performance Characteristics	
Category Temperature Range	-25 to +60°C	
Rated Voltage Range	2.5V	
Rated Capacitance Range	470 to 3300F See Note	
Capacitance Tolerance	±20% (20°C)	
Leakage Current	0.5C (mA) [ C : Rated Capacitance(F) ] (After 30 minutes' application of rated voltage, 2.5V)	
Stability at Temperature	Capacitance (-25°C)/Capacitance (+20°C) ×100 ≥ 70%	
DCR*	Refer to the list below (20°C). *DC internal resistance	
Endurance	The specifications listed at right shall be met when the capacitors are restored to 20°C after the rated voltage is applied for 2000 hours at 60°C.	
	Capacitance change	Within ±30% of initial value
	DCR	300% or less of initial specified value
Shelf Life	The specifications listed at right shall be met when the capacitors are restored to 20°C after storing the capacitors under no load for 2000 hours at 60°C.	
	Capacitance change	Within ±30% of initial value
	DCR	300% or less of initial specified value
Leakage current	Less than or equal to the initial specified value	
Marking	Printed with white color letter on black sleeve.	

### Drawing



### Type numbering system (Example : 2.5V 470F)



### Dimensions

Rated Voltage (Code)	Cap. (F)	Cap. code	DCR (mΩ)	Case size φD×L (mm)	
				φ D	L
2.5V (0E)	470	477	16	35	120
	1000	108	9	51	120
	1200	128	8		160
	1500	158	7	63.5	120
	1800	188	6		160
	2200	228	5	76.2	120
	2700	278	5		160
	3300	338	4	90	160

### Dimensions of terminal pitch(W) and length(ℓ) and Normal dia. of bolt (mm)

φ D	W	ℓ	α	Nominal of bolt
51	22.0	6	3	M5
63.5	28.6	6	3	M5
76.2	31.8	6	3	M5
90	31.8	6	3	M5

### Dimensions of mounting bracket (mm)

Symbol φ D	3-Legs				2-Legs			
	51	63.5	76.2	90	51	63.5	76.2	90
P	32.5	38.1	44.5	50.8	33.2	40.5	46.5	53
A	38.5	43	49.2	58.5	40	46.5	53	59
T	7.5	8.0	7.0	8.0	6.0	7.0	6.0	6.0
S	5.0	5.0	5.0	5.0	4.5	4.5	4.5	4.5
U	12	14	14	18	14	14	14	14
θ°	60	60	60	60	30	30	30	30
H	20	25	30	35	25	35	35	35
h	15	20	24	25	15	20	20	20

### Note :

The capacitance calculated from discharge time (ΔT) with constant current (i) after 30minute charge with rated voltage (2.5V).

The discharge current (i) is 0.01 × F (rated capacitance).

A discharge time (ΔT) measured between 2V and 1V with constant current. The capacitance calculated below.

$$\text{Capacitance (F)} = i \times \Delta T$$

CAT.8100X

单击下面可查看定价，库存，交付和生命周期等信息

[>>Nichicon\(尼吉康\)](#)